

ZipClip 400/ZipCaddy 400 • Installation Guide

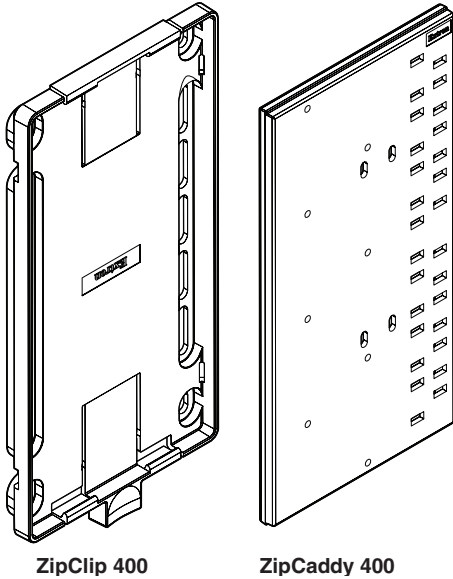


Figure 1. Front and Side View of the ZipClip 400/ZipCaddy 400

The ZipClip 400/ZipCaddy 400 mounting kit is a plastic mounting kit allowing 1/2, 1/4, and 1/8 rack width, 3 inches (76 mm) or select 6 inches (152 mm) deep Extron enclosures and select small form factor PCs to be securely and easily mounted to various surfaces, such as under a table, on a rack rail system (side or back), or in a lectern.

The ZipCaddy 400 has two sides with a step groove to allow the edges to snap into the ZipClip 400. The ZipCaddy 400 disengages with a press of the lever tab on the ZipClip 400.

NOTES:

- A 1/2 rack product takes up the entire ZipCaddy 400 plate. Multiple 1/4 and 1/8 products fit onto the ZipCaddy 400 side-by-side.
- Included cable ties are used to secure cables to the ZipCaddy 400 (see [figure 5](#) on page 2).

Included Parts:

- (1) ZipClip 400
- (1) ZipCaddy 400
- (4) Cable tie wraps
- (4) Product mounting #4-40 screws
- (4) ZipClip mounting #12 wood screws
- Installation guide

Installing Device Onto a Rack

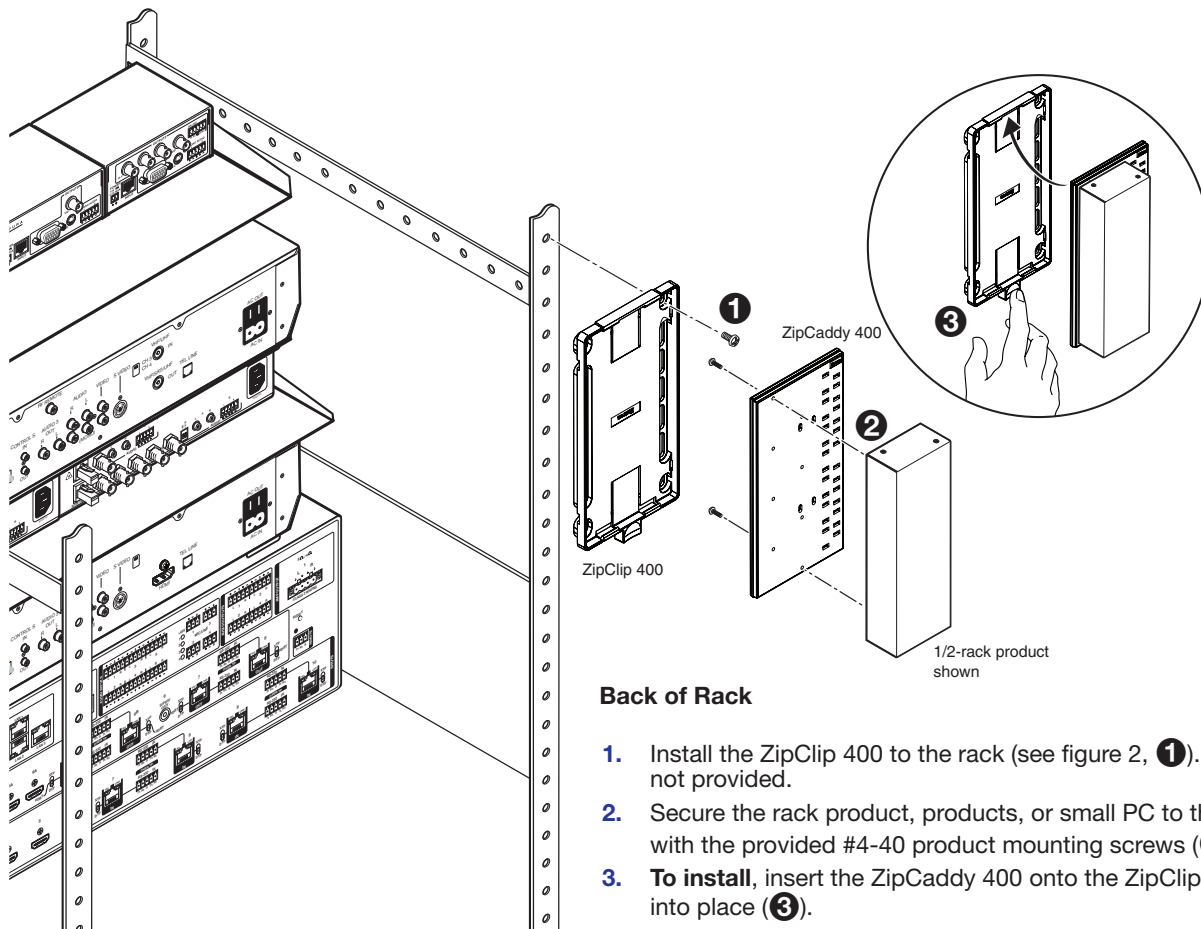


Figure 2. Installation onto the Back of a Rack.

Back of Rack

1. Install the ZipClip 400 to the rack (see figure 2, **1**). Rack screws are not provided.
2. Secure the rack product, products, or small PC to the ZipCaddy 400 with the provided #4-40 product mounting screws (**2**).
3. **To install**, insert the ZipCaddy 400 onto the ZipClip 400 and click into place (**3**).

To remove, press down on the ZipClip 400 tab.

Installing Device Underneath a Desk

1. Mark the position of the mounting holes using the ZipClip 400 as a template.
 2. Drill holes underneath the desk 1/2 inch (13 mm) deep, using a 9/64 inch (3.5 mm) pilot drill bit.
 3. Position and secure the ZipClip 400 against the bottom of the desk using the provided #12 wood screws into the pre-drilled pilot holes (see figure 3, ①).
 4. Secure the rack product, products, or small PC to the ZipCaddy 400 with the provided #4-40 product mounting screws (②).
 5. **To install**, insert the ZipCaddy 400 onto the ZipClip 400 and click into place.
- To remove**, press down on the ZipClip 400 tab (see figure 4, ③).

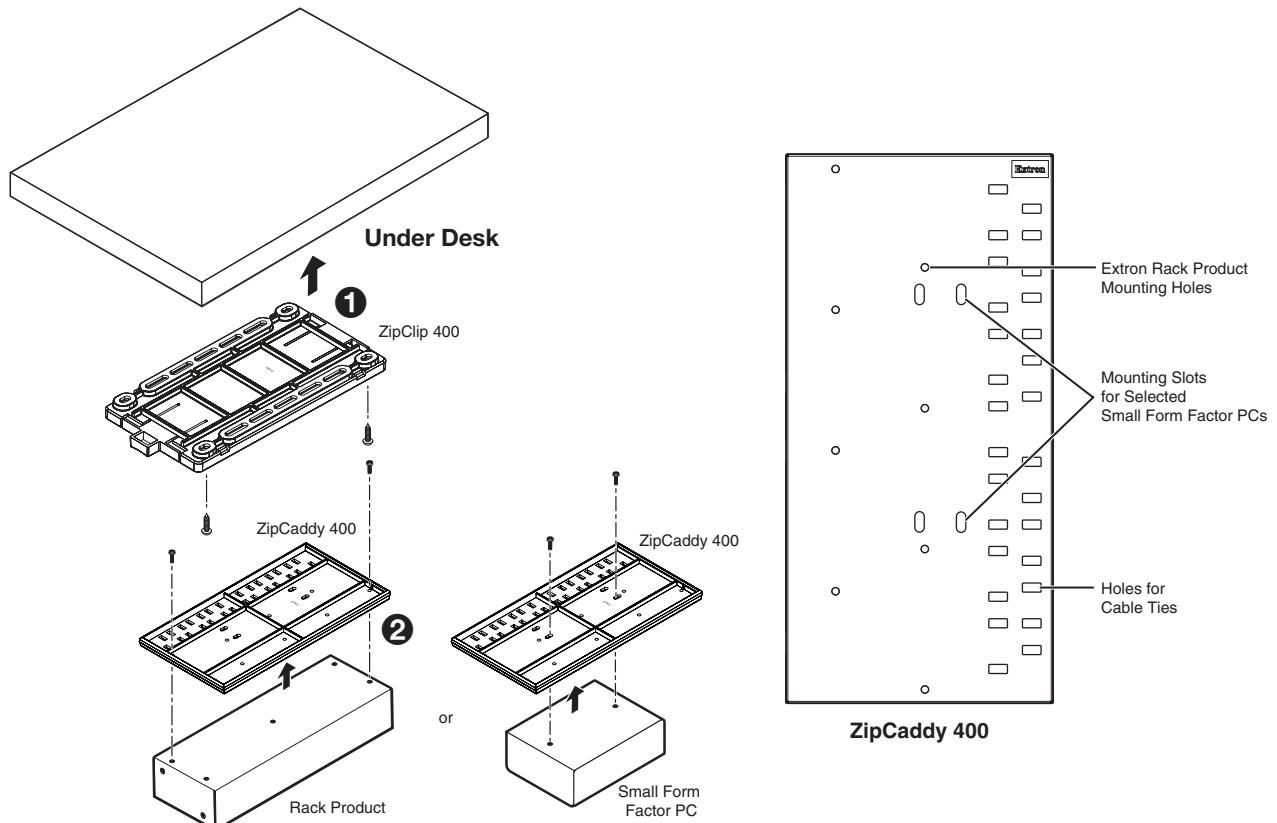


Figure 3. Installation Under a Desk

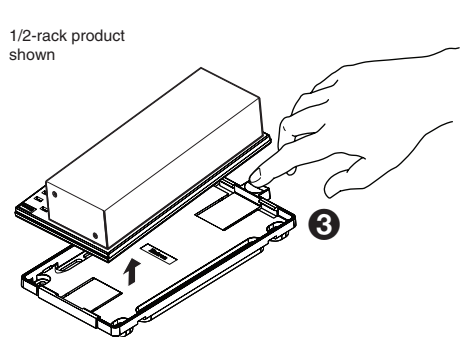


Figure 4. Remove ZipCaddy 400 from ZipClip 400

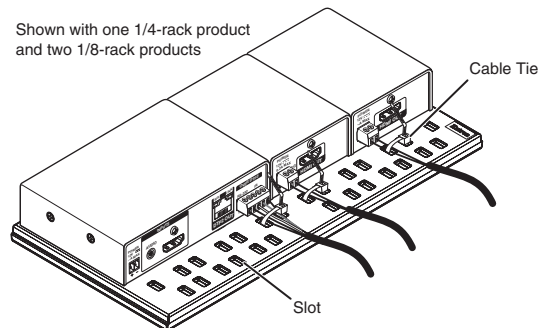


Figure 5. Secure Cables to ZipCaddy 400 with Cable Ties

For information on safety guidelines, regulatory compliances, EMI/EMF compatibility, accessibility, and related topics, see the [Extron Safety and Regulatory Compliance Guide](#) on the Extron website.