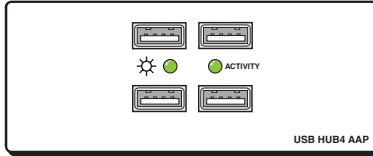
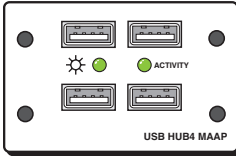


IMPORTANT:
Go to www.extron.com for the complete user guide, installation instructions, and specifications before connecting the product to the power source.

This guide provides basic instructions for setting up the Extron USB HUB4 Series AAP and MAAP.



Installation

Step 1 – (Optional) Install the wall box or mounting bracket

If using an electrical wall box or a mounting bracket, install it in the wall or furniture (see Mounting in the *USB HUB4 Series User Guide* available at www.extron.com).

Step 2 – Mount the HUB4 onto a mounting frame

Attach the USB HUB4 AAP or USB HUB4 MAAP to an appropriate AAP or MAAP sized mounting frame, rack space frame, or other Extron architectural product (see Mounting in the *USB HUB4 Series User Guide*).

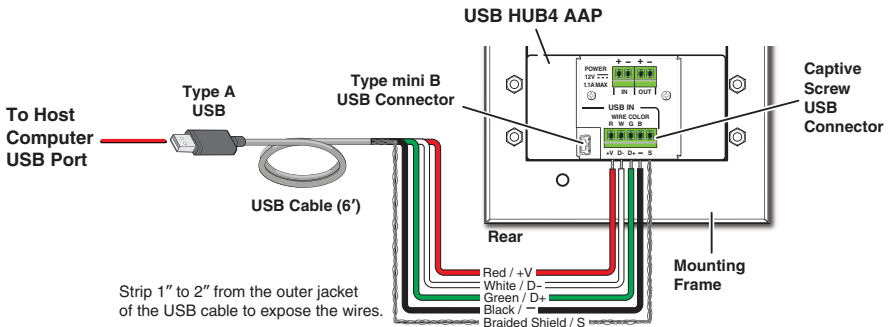
Step 3 – Connect the USB HUB4 to the host computer

For ease of installation, connect the USB HUB4 to the host computer in either of the following ways:

- **Using the Type mini-B USB port:** Connect a Type A to Type mini-B cable (provided) to the USB mini-B port on the USB HUB4 rear panel.
- **Using the green captive screw USB In port:** Remove the Type B or Type mini B terminator from a Type A to B or Type A to mini-B USB cable and insert the cable wires into the 5-pole USB In port as shown below and at right. This method may be necessary if space is limited. (See Connecting to the captive screw USB port in the *USB HUB4 Series User Guide*.)

Wire color	Port
Red	V+ (+5 VDC)
White	D- (Data -)
Green	D+ (Data +)
Black	- (Ground)
Braided shield	S (Shield)

NOTE: Choose one of these two methods to connect the HUB4 to the host computer. Do not connect the host computer to both HUB4 ports at the same time.



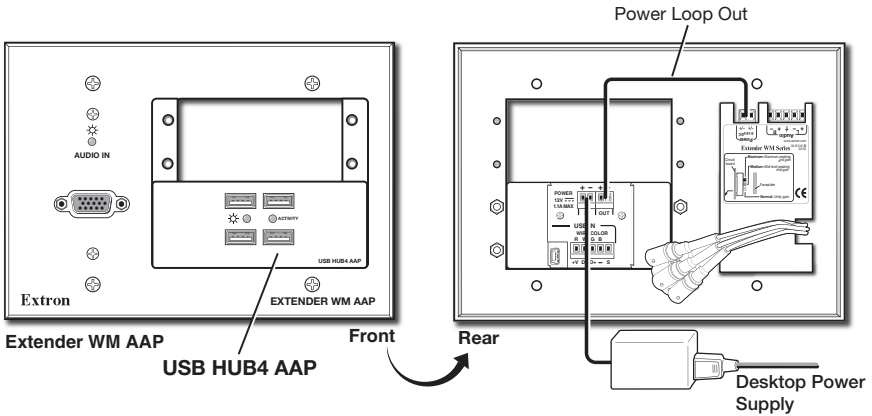
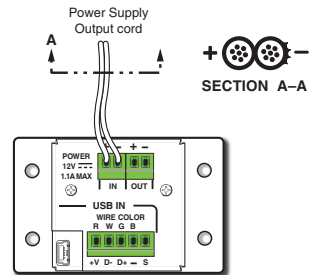
USB HUB4 Series • Setup Guide (Continued)

Step 4 – (Optional) Wire power connector

The USB HUB4 can be powered by the host computer. However, if the USB peripheral devices connected to the USB HUB4 require more power than the USB HUB4 can provide, wire an optional Extron PS 1215 1.5 A, 12 VDC power supply to the 12 VDC Power In ports 1 and 2 on the rear panel, as shown at right.

Connecting additional Extron devices

If using an additional Extron device, such as a WM Series Extender, with the external power supply, connect the device power cord to the 12 VDC Power Out ports 3 and 4 (see image below).



Step 5 – (Optional) Mount unit in wall box

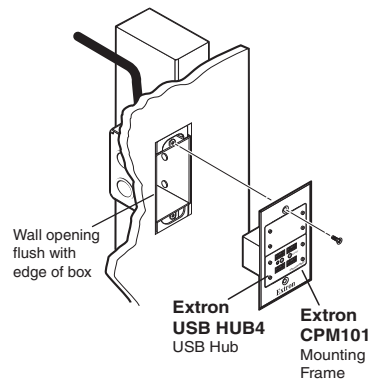
If using an electrical box, mount the USB HUB4 and the attached mounting frame onto the box (see the image at right). If using a mounting bracket, this step is not needed.

Step 6 – Connect peripheral devices

Attach the peripheral USB devices to the front panel USB Type A ports.

Step 7 – Power on

Power on the host computer and the desktop power supply (if applicable). Check the front panel power indicator LED to verify that the HUB4 is receiving power.



For information on safety guidelines, regulatory compliances, EMI/EMF compatibility, accessibility, and related topics, see the [Extron Safety and Regulatory Compliance Guide](#) on the Extron website.