

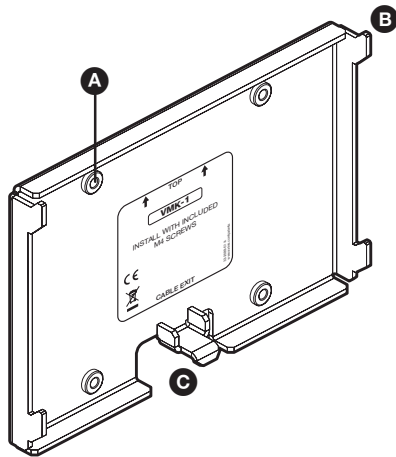
IMPORTANT:
Go to www.extron.com for the complete user guide and installation instructions before connecting the touchpanel to the power source.

Overview

The VMK 1 is a VESA mount adapter allowing the TLP Pro 725M and TLP Pro 1025M touchpanels to be installed onto an off-the-shelf VESA MIS-D 75mm standard mount. This guide provides instructions for experienced professional installers to mount and install the TLP Pro 725M or TLP Pro 1025M using the VMK 1.

ATTENTION:

- All structural steps and electrical installation must be performed by qualified personnel in accordance with local and national building codes and electrical codes.
- Toute étape structurelle et installation électrique, doit être effectuée par un personnel qualifié, conformément aux codes du bâtiment, aux codes incendie et sécurité, et aux codes électriques, locaux et nationaux.



- A VESA mount nut insert (4)
- B Insertion Hooks
- C Tongue

Figure 1. VMK 1 Features

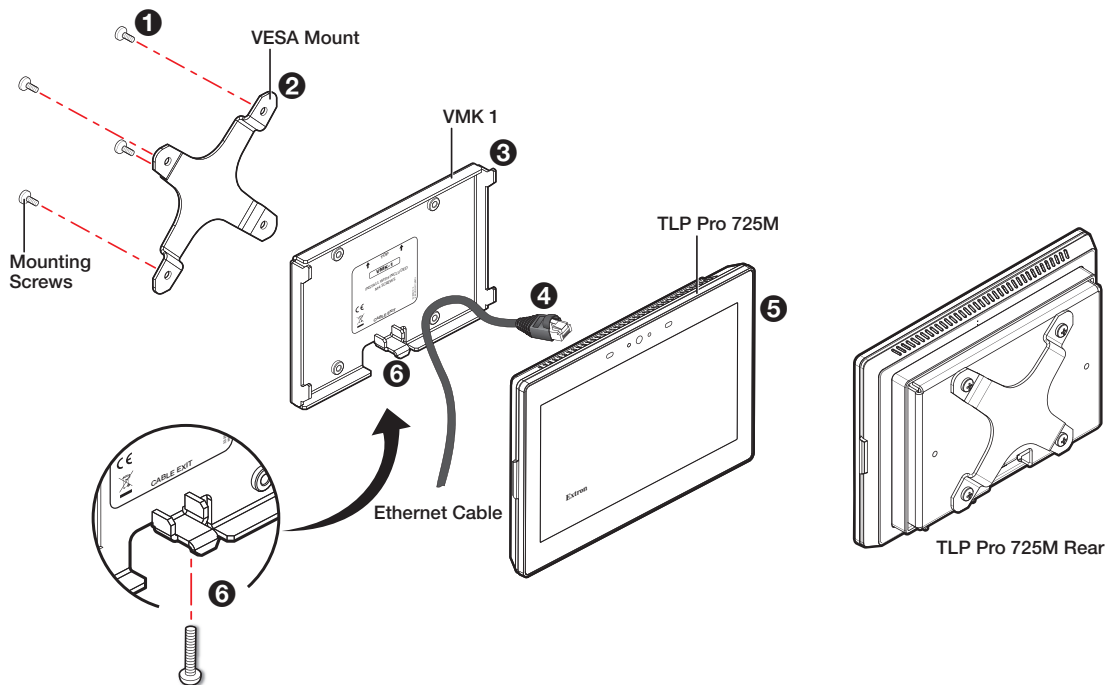


Figure 2. VMK 1 Installation and Isometric View

VMK 1 • Set up Guide

Mounting a VMK 1 to the VESA mount

This section and the following section refer to [figure 2](#) on page 1 for its call outs.

1. Install the VESA mounting arm in a stable location (see the third party instructions that came with the VESA mount).
2. Hold the VMK 1 (❸) over the VESA mounting plate (❷).
3. Use a Philips-head screwdriver to fasten the included M4x8mm support screws (❶).

Mounting a VMK 1 to the TLP Pro Touchpanel

1. Route the ethernet cable and connect it to the touchpanel before attaching to the VMK 1 adapter mount (❹).
2. The VMK 1 adapter mount has four hooks (❸) one on each corner. Position the touchpanel (❺), so the hooks fit into the touchpanel's four rear slots (see the *TLP Pro 525, 725, and 1025 Series User Guide*).
3. Slide the touchpanel down slightly, so the hooks are secure in the slots.
4. The tongue at the bottom of the VMK 1 adapter mount (❻) sits in the groove at the bottom of the touchpanel. Fasten the touchpanel to the VMK 1 by tightening the lock screw.

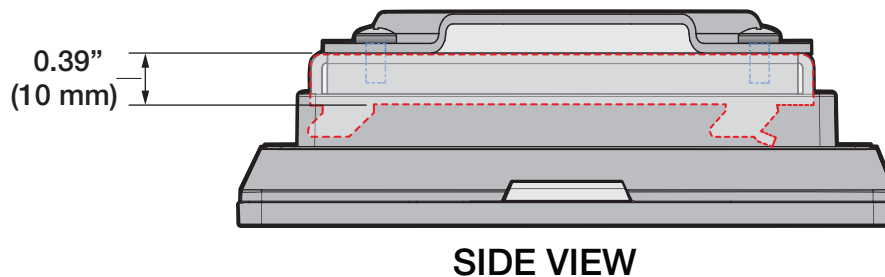


Figure 3 Gap Between Touchpanel and VMK 1 Mount

NOTE: There is a 10mm max gap between the VMK 1 mount and the back of the TLP touchpanel. Inserting mounting screws longer than the provided M4 screws may damage the touchpanel. See figure 3.