

VersaTools Rack Shelf Installation Instructions

Up to 4 quarter rack Extron VersaTools™ products, 8 eighth rack VersaTools products, or a mix of VersaTools product sizes can be mounted on a VersaTools 19" 1U Rack Shelf (part #60-190-20 (gray) or 60-604-20 (black)). Mount the VersaTools product on the shelf and mount the shelf in a rack as follows:

1. If feet were previously installed on the bottom of the VersaTools product, remove them.
2. Mount the VersaTools product on the rack shelf, using two 4-40 x 3/16 screws in opposite (diagonal) corners to secure the product to the shelf. See the drawing on the reverse of this card.
3. Install up to 4 quarter rack or 8 eighth rack VersaTools unit(s) on the rack shelf.
4. Fill any unused spaces with eighth rack, quarter rack and/or half rack false front face plates (supplied with 60-190-20 or optional for 60-604-20).
5. Insert the shelf into the rack, aligning the holes in the shelf with those of the rack.
6. Secure the shelf to the rack using the supplied machine screws. This shelf can be mounted in the front or in the rear of the rack.

NOTE

Only products in the VersaTools line can be mounted to a VersaTools shelf. To rack mount other 1U products, use the Extron Universal 1U Rack Shelf (part #60-190-01 or 60-604-01).



Extron Electronics, USA
1230 South Lewis Street
Anaheim, CA 92805
USA
714.491.1500
Fax 714.491.1517

Extron Electronics, Europe
Beeldschermweg 6C
3821 AH Amersfoort
The Netherlands
+31.33.453.4040
Fax +31.33.453.4050

Extron Electronics, Asia
135 Joo Seng Road, #04-01
PM Industrial Building
Singapore 368363
+65.6383.4400
Fax +65.6383.4664

Extron Electronics, Japan
Daisan DMJ Building 6F
3-9-1 Kudan Minami
Chiyoda-ku, Tokyo 102-0074 Japan
+81.3.3511.7655
Fax +81.3.3511.7656

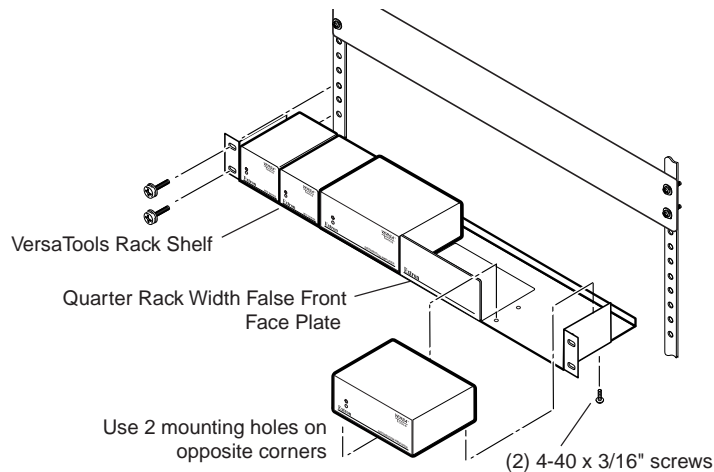
68-195-20

Rev. B

05 03

Printed in the USA

VersaTools Rack Shelf Installation Instructions (Cont'd)



Additional faceplates

Part

Half rack false front panel (charcoal gray, black anodized)

Quarter rack false front panel (charcoal gray, black anodized)

Eighth rack false front panel (charcoal gray, black anodized)

Part

70-339-01, -02

70-338-01, -02

70-337-01, -02