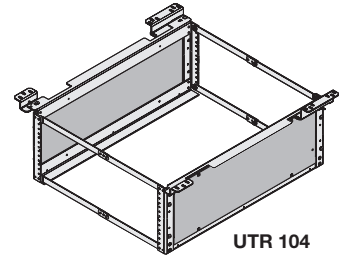


UTR 104 SP • Installation Guide

IMPORTANT:
Go to www.extron.com for the
product specifications.

The UTR 104 Side Panels provide extra security for the Under Table Rack by preventing unwanted contact with system products and cabling. These panels help keep noise at a suitable level for meetings while also providing a clean and subtle aesthetic.

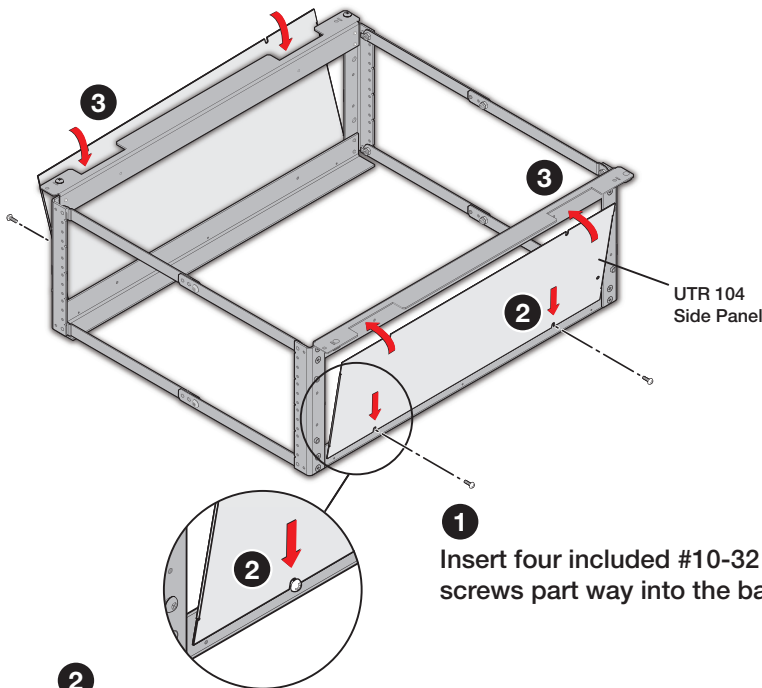
NOTE: The UTR 104 SP can be installed either before or after the main UTR installation.



Installing the UTR 104 Side Panels

3

Align the top edge of each panel against the UTR 104 frame.



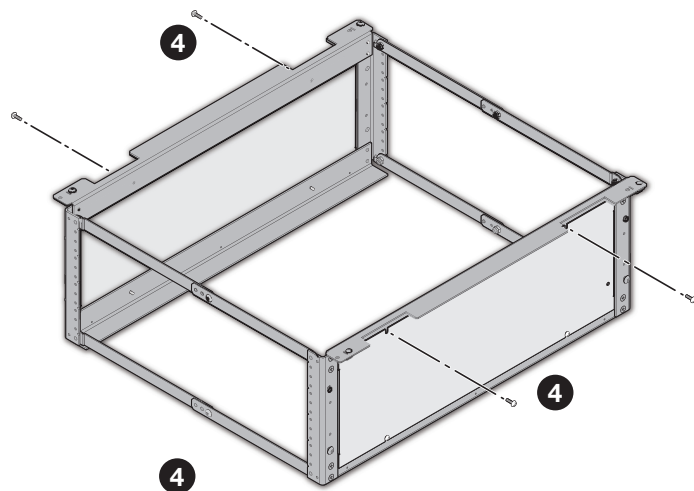
1

Insert four included #10-32 x 0.25 inch Phillips truss-head screws part way into the base of the UTR 104 frame.

2

Slide each side panel onto the mounting screws and secure.

Figure 1. Installing the UTR 104 SP



Secure the panels in place with four additional mounting screws at the top.

Figure 2. Securing the UTR 104 SP

For information on safety guidelines, regulatory compliances, EMI/EMF compatibility, accessibility, and related topics, see the [Extron Safety and Regulatory Compliance Guide](#) on the Extron website.