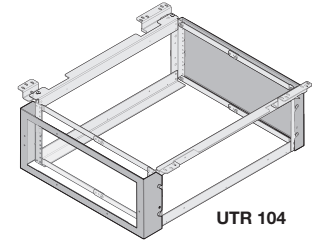


UTR 104 FRP • Installation Guide

IMPORTANT:
Go to www.extron.com for the
product specifications.

The UTR 104 Front and Rear panels provide extra security for the Under Table Rack by preventing unwanted contact with system products and cabling. The front panel features a smoked acrylic window to allow visibility of products for troubleshooting. These panels are also easily removable, allowing for service access.

NOTE: The UTR 104 FRP can be installed either before or after the main UTR installation.

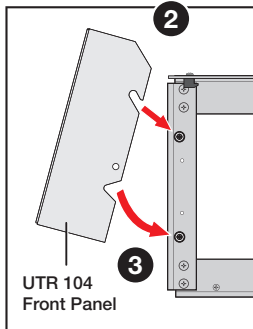


Installing the UTR 104 Front and Rear Panels

2

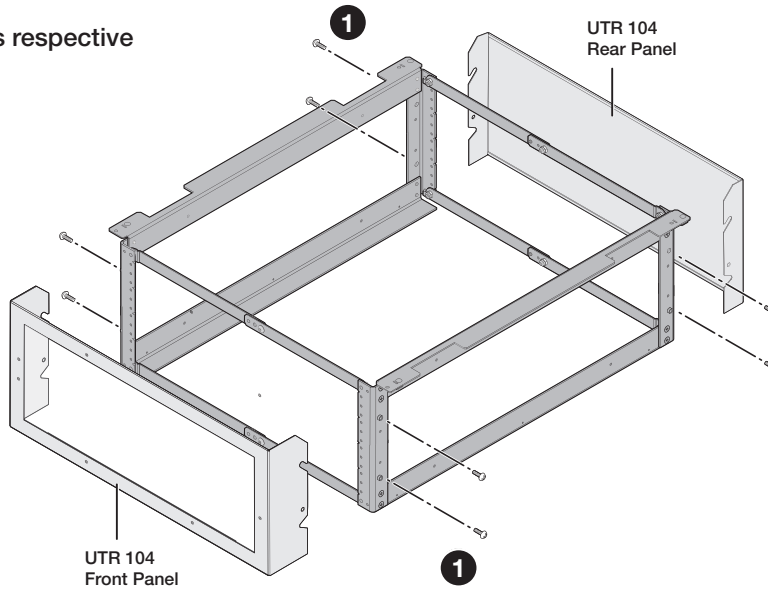
Latch each panel onto its respective top mounting pegs.

Side View



3

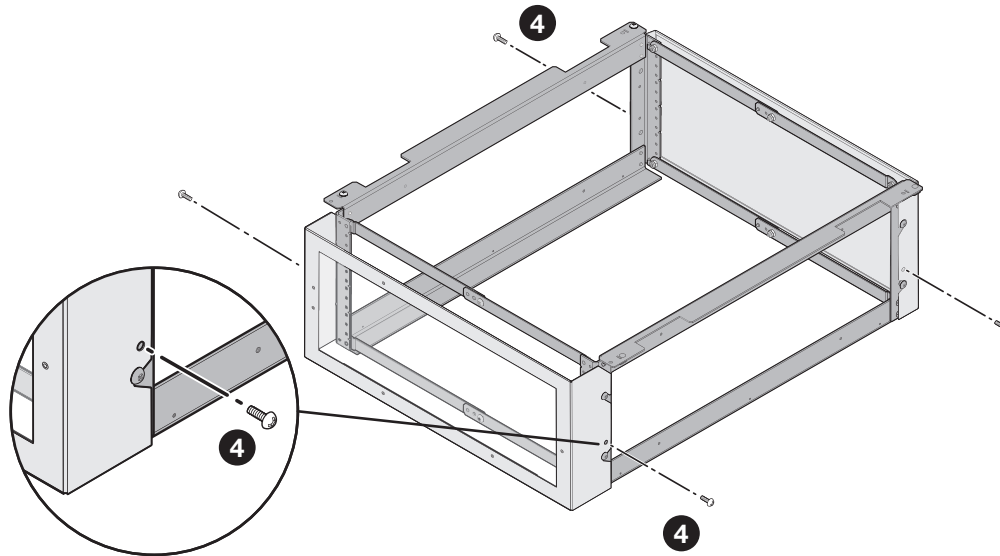
Swing down each panel onto the bottom mounting pegs.



1

Insert the eight included #10-32 x 0.25 inch Phillips truss-head screws into the eight mounting pegs, located on the vertical rack rails of the UTR 104.

Figure 1. Installing the UTR 104 FRP



Lock each panel in place with two of the included #10-32 x 0.25 inch Phillips truss-head screws.

Figure 2. Securing the UTR FRP

For information on safety guidelines, regulatory compliances, EMI/EMF compatibility, accessibility, and related topics, see the [Extron Safety and Regulatory Compliance Guide](#) on the Extron website.