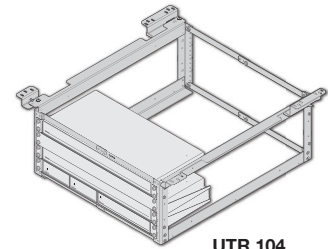


UTR 104 • Installation Guide

This guide contains installation instructions for the UTR 104 Under Table AV rack. This 4U height rack system allows for on-site or off-site staging of various AV devices for streamlined installations.

Optional front and rear, side, and base panels reduce noise, provide a clean aesthetic, and prevent unintentional contact with system equipment.



UTR 104

UL Guidelines for Rack Mounting

The following Underwriters Laboratories (UL) guidelines pertain to the installation of UTR 104 Under Table AV racks:

CAUTION: Risk of minor personal injury:

- **Elevated operating ambient temperature** — If the equipment is installed in a closed or multi-unit rack assembly, the operating ambient temperature of the rack environment may be greater than room ambient. Therefore, consider installing the equipment in an environment compatible with the maximum ambient temperature (T_{ma}) specified by Extron.
- **Reduced air flow** — Install the equipment in the rack so that the amount of air flow required for safe operation of the equipment is not compromised.
- **Mechanical loading** — Mount the equipment in the rack so that uneven mechanical loading does not create a hazardous condition.
- **Circuit overloading** — When connecting the equipment to the supply circuit, consider the connection of the equipment to the supply circuit and the effect that circuit overloading might have on overcurrent protection and supply wiring. Consider equipment nameplate ratings when addressing this concern.
- **Reliable earthing (grounding)** — Maintain reliable grounding of rack-mounted equipment. Pay particular attention to supply connections other than direct connections to the branch circuit (such as the use of power strips).
- **Mounting Height** — The equipment is only suitable for mounting at heights less than 2 meters (6.56 ft)

Consignes UL pour le Montage en Rack

Les consignes UL (« Underwriters Laboratories ») suivantes concernent l'installation en rack de UTR 104 :

ATTENTION : Risque de blessure mineure :

- **Température ambiante élevée** — En cas d'installation de l'équipement dans un rack fermé ou composé de plusieurs unités, la température du rack peut être supérieure à la température ambiante. Par conséquent, il est préférable d'installer l'équipement dans un environnement qui respecte la température ambiante maximale (T_{ma}) spécifiée par Extron.
- **Réduction du flux d'air** — Si l'équipement est installé dans un rack, veillez à ce que le flux d'air nécessaire pour un fonctionnement sécurisé de l'équipement soit respecté.
- **Charge mécanique** — Installez l'équipement en rack de manière à éviter toute situation dangereuse causée par le déséquilibre de la charge mécanique.
- **Surcharge électrique** — Lorsque vous connectez l'équipement au circuit d'alimentation, observez la connexion de l'équipement et étudiez les effets possibles d'une surcharge du circuit sur les protections contre les surintensités et les conducteurs d'alimentation. Consultez à cet égard les indications de la plaque d'identification de l'équipement.
- **Mise à la terre** — Assurez-vous que l'équipement est correctement mis à la terre. Accordez une attention particulière aux connexions électriques autres que les connexions directes au circuit de dérivation (ex. : les multiprises).
- **Hauteur de montage** — L'équipement est uniquement adapté à un montage à des hauteurs inférieures à 2 mètres (6,56 pieds)

Preparing the Mounting Location

NOTE: Ensure that the FRONT and REAR ends of the template are positioned correctly, as the front and rear mounting brackets have different dimensions.

1

Align the included mounting template onto the intended mounting surface location, secure with tape, and mark the center of the holes where the mounting brackets will be installed.

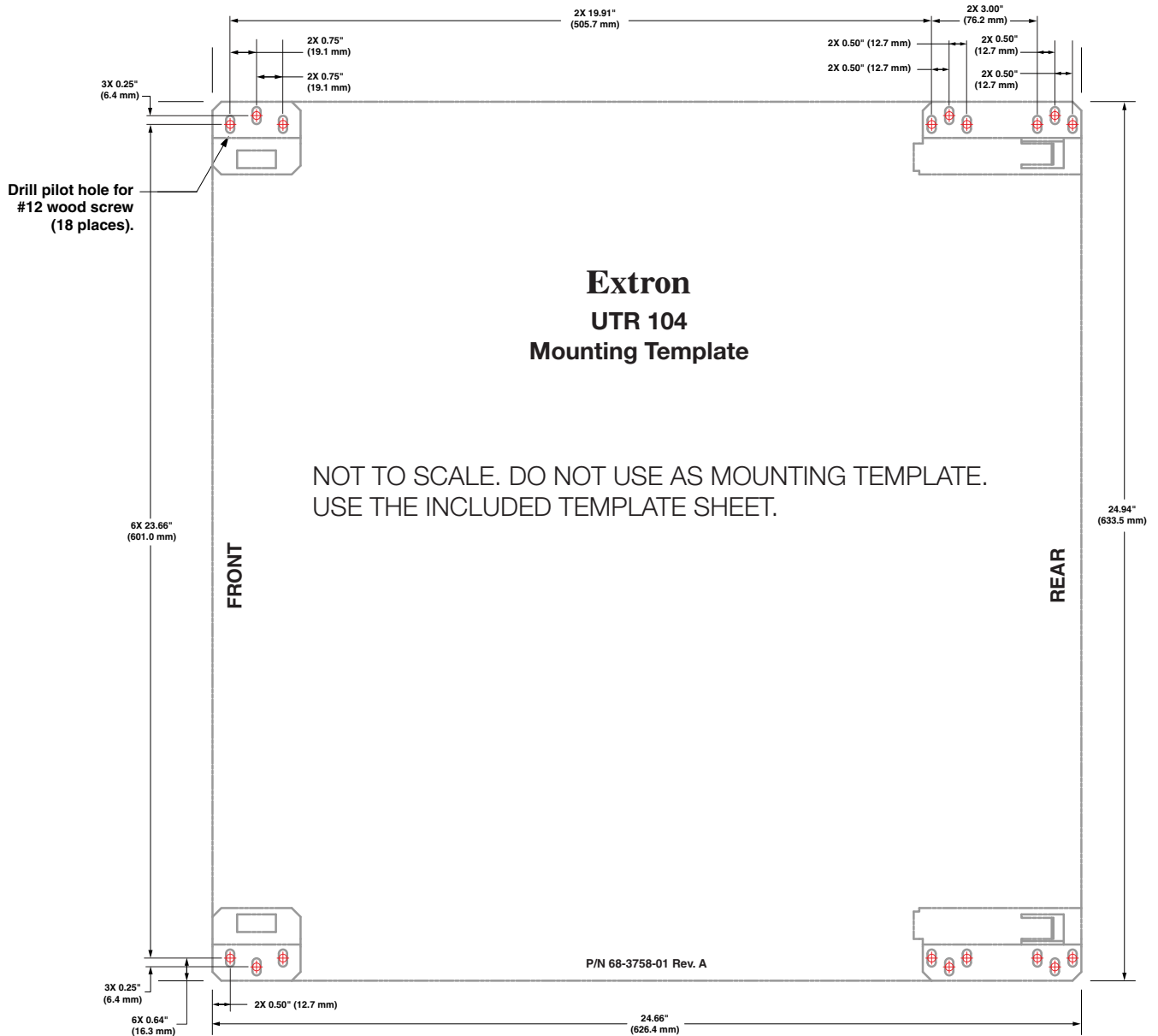
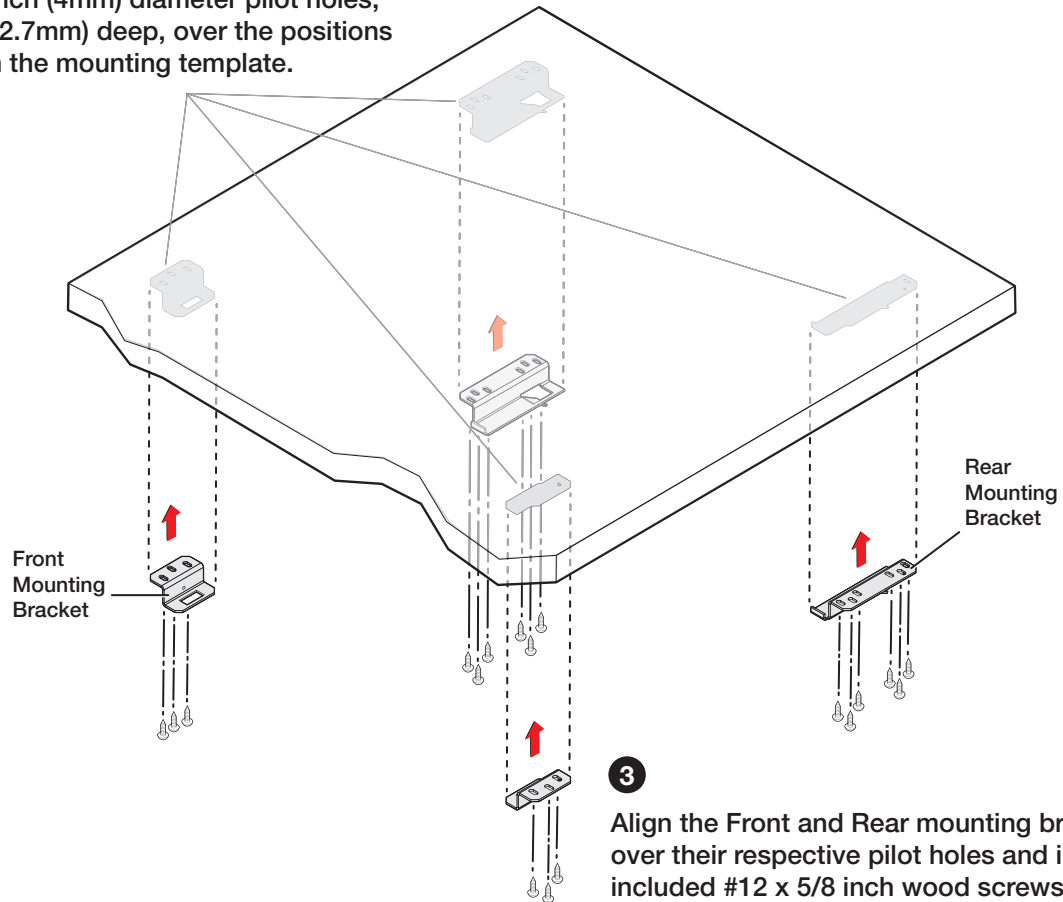


Figure 1. Extron UTR 104 Mounting Template (NOT TO SCALE)

NOTE: Take care not to drill through the table. If the table is too thin or of a different material than intended for the supplied #12 x 5/8 inch wood screws, use an appropriate alternative.

2

Drill 5/32 inch (4mm) diameter pilot holes, 1/2 inch (12.7mm) deep, over the positions marked on the mounting template.



3

Align the Front and Rear mounting brackets over their respective pilot holes and install the included #12 x 5/8 inch wood screws.

Ensure the screws are fully seated against the wood, securing the brackets in place.

Figure 2. Installing the Sliding Mount Brackets

NOTES:

- Ensure the wood screws are engaged into the wood and fully seated against the mounting brackets.
- For best operation, ensure the mounting brackets are aligned before mounting the UTR.

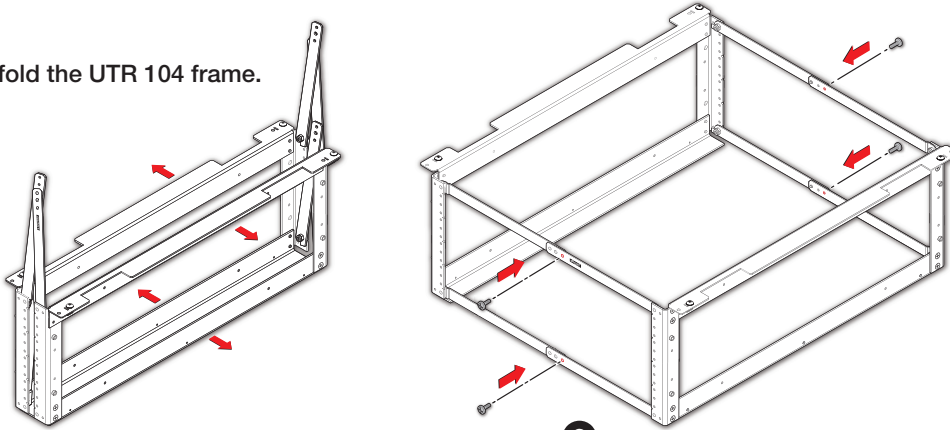
Preparing the UTR 104

ATTENTION: When opening the frame, keep fingers away from moving parts.

ATTENTION : Lorsque vous ouvrez le cadre, éloignez vos doigts pièces mobiles.

1

Unfold the UTR 104 frame.



2

Lock the frame by securing the four included #10-32 x 0.25 inch truss-head screws into the designated screw holes (marked in red, above).

Figure 3. Unfolding and Securing the UTR 104

ATTENTION: The maximum load capacity is 100lb/45kg.

ATTENTION : La capacité de charge maximale est de 45 kg/100 lb.

NOTES:

- The UTR 104 frame is recommended for Extron products and is compatible with all rack-mountable devices.
- Locate the label marked "FRONT" to help identify the front end of the UTR frame, before making installations.

3

Mount AV units onto the front of the UTR 104 frame, either before or after securing the frame to the mounting brackets.

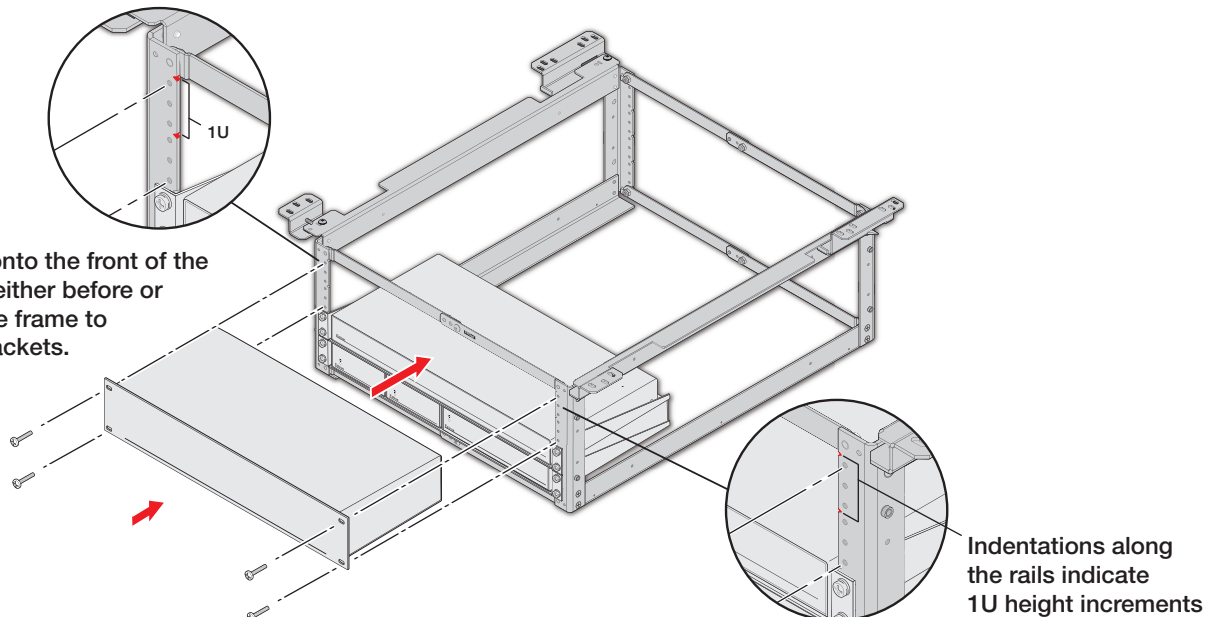


Figure 4. Mounting AV Units into the UTR 104

Installing the UTR 104

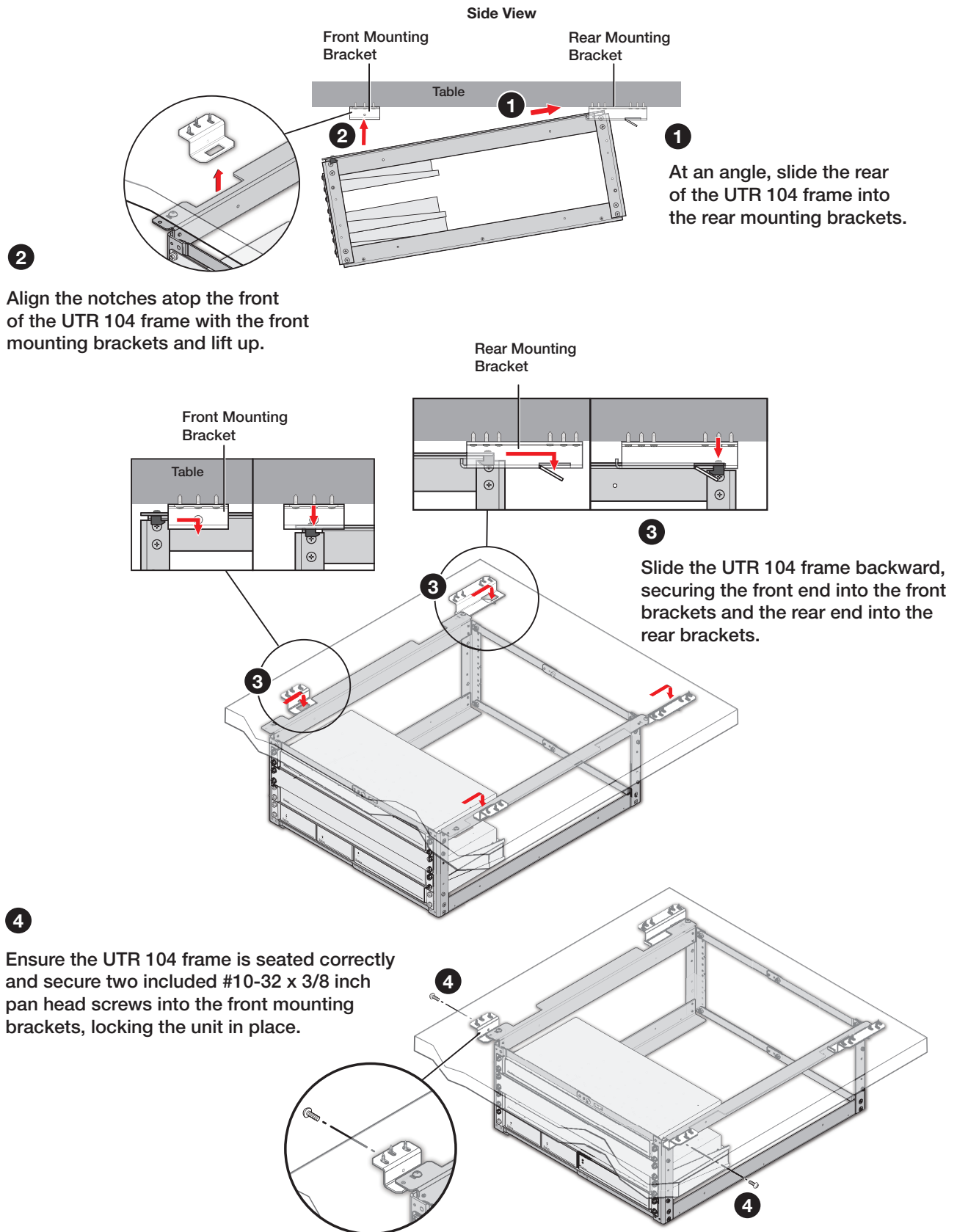


Figure 5. Securing the UTR 104

Installing the UTR 104 FRP

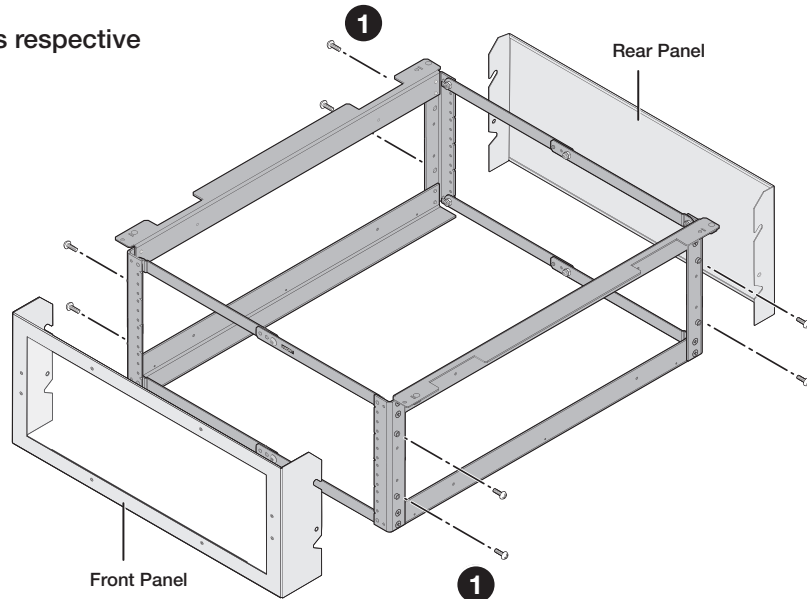
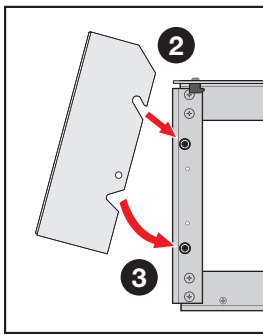
The UTR 104 FRP front and rear panels provide extra security by preventing unwanted contact with system products and cabling. The UTR 104 FRP front panel features a smoked acrylic window to allow visibility of products for troubleshooting. These panels are also easy to remove, allowing for service access.

NOTE: The UTR 104 FRP can be installed either before or after the main UTR 104 installation.

2

Latch each panel onto its respective top mounting pegs.

Side View

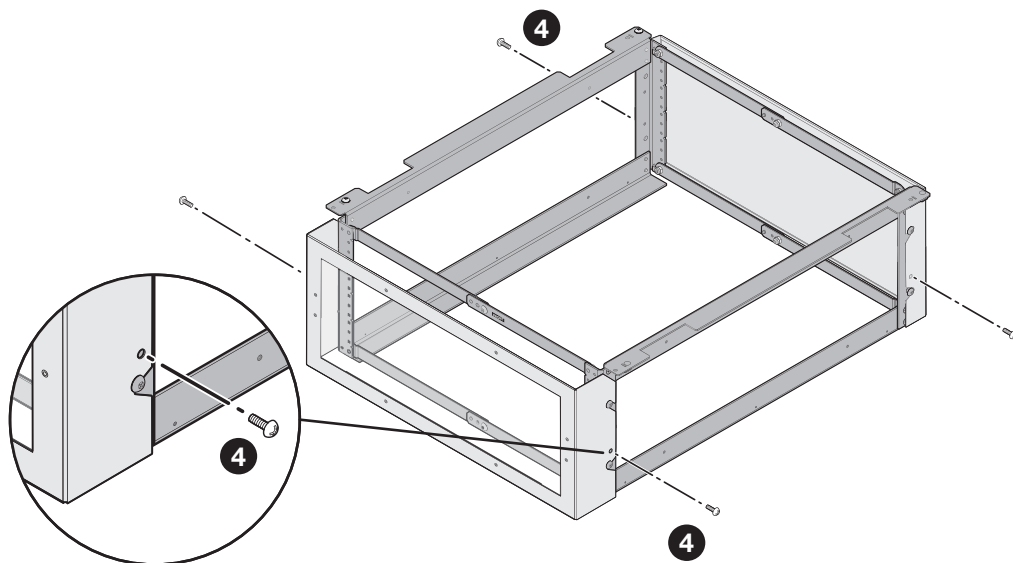


3

Swing down each panel onto the bottom mounting pegs.

1

Insert the eight included #10-32 x 0.25 inch Phillips truss-head screws into the eight mounting pegs, found on the vertical rack rails of the UTR 104 frame.



4

Lock each panel in place with two of the included #10-32 x 0.25 inch Phillips truss-head screws.

Figure 6. Installing the UTR 104 FRP

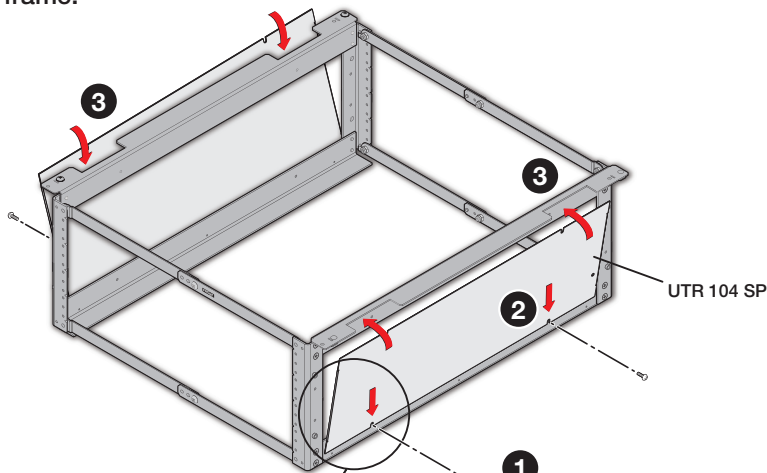
Installing the UTR 104 SP

The UTR 104 SP side panels provide extra security by preventing unwanted contact with system products and cabling. These panels help keep noise at a suitable level for meetings while also providing a clean and subtle aesthetic.

NOTE: The UTR 104 SP can be installed either before or after the main UTR 104 installation.

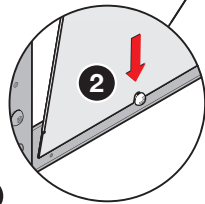
3

Align the top edge of each panel against the UTR 104 frame.



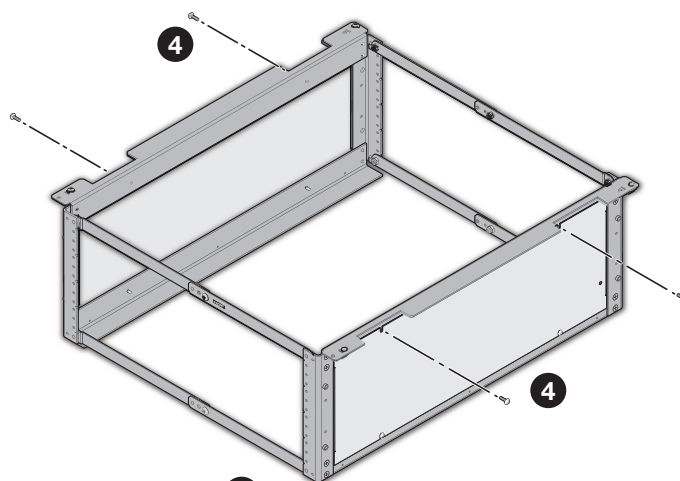
1

Insert four included #10-32 x 0.25 inch Phillips truss-head screws part way into the base of the UTR 104 frame.



2

Slide each side panel onto the mounting screws and secure.



4

Secure the panels in place with four additional mounting screws at the top.

Figure 7. Installing the UTR 104 SP

Installing the UTR 148 BP

The UTR 148 BP base panel provides extra security by preventing accidental contact with system products and cabling. This panel also supports the weight of any loose cabling and small products.

NOTES:

- The UTR 148 BP can be installed either before or after the main UTR 104 installation.
- The UTR 148 BP **MUST** be installed before the UTR 104 FRP front panel.
- Locate the label marked “FRONT” to help identify the front end of the UTR 104 frame.

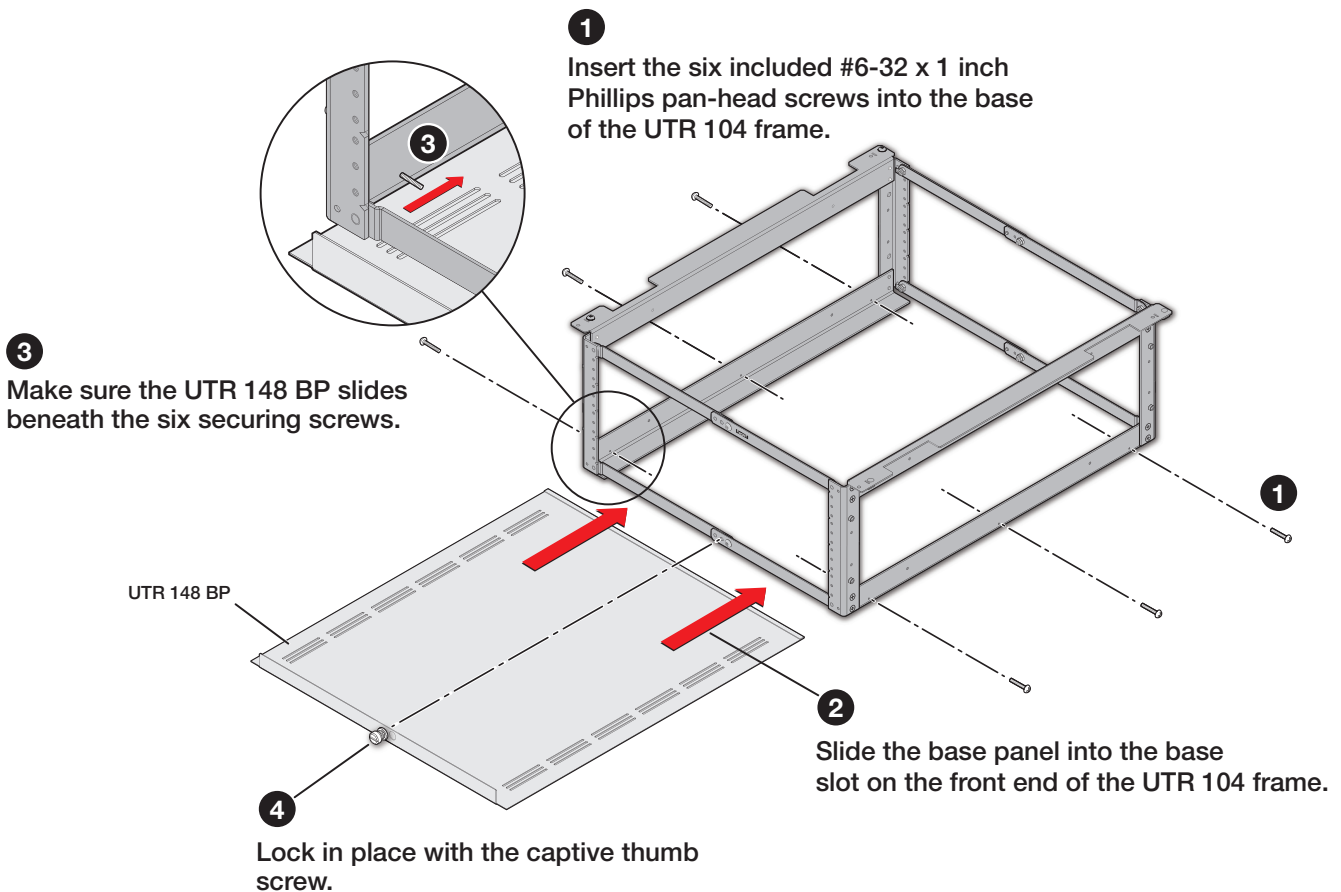


Figure 8. Installing the UTR 148 BP

For information on safety guidelines, regulatory compliances, EMI/EMF compatibility, accessibility, and related topics, see the [Extron Safety and Regulatory Compliance Guide](#) on the Extron website.