

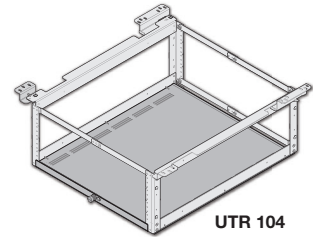
UTR 104 BP • Installation Guide

IMPORTANT:
Go to www.extron.com for the
product specifications.

The UTR Base Panel provides extra security for the Under Table Rack by preventing accidental contact with system products and cabling. This panel can also support the weight of any loose cabling or small products.

NOTES:

- The UTR BP can be installed either before or after the main UTR 104 installation.
- The UTR BP must be installed before the UTR 104 FP.
- Locate the label marked “FRONT” to help identify the front end of the UTR 104 frame.



Installing the UTR Base Panel

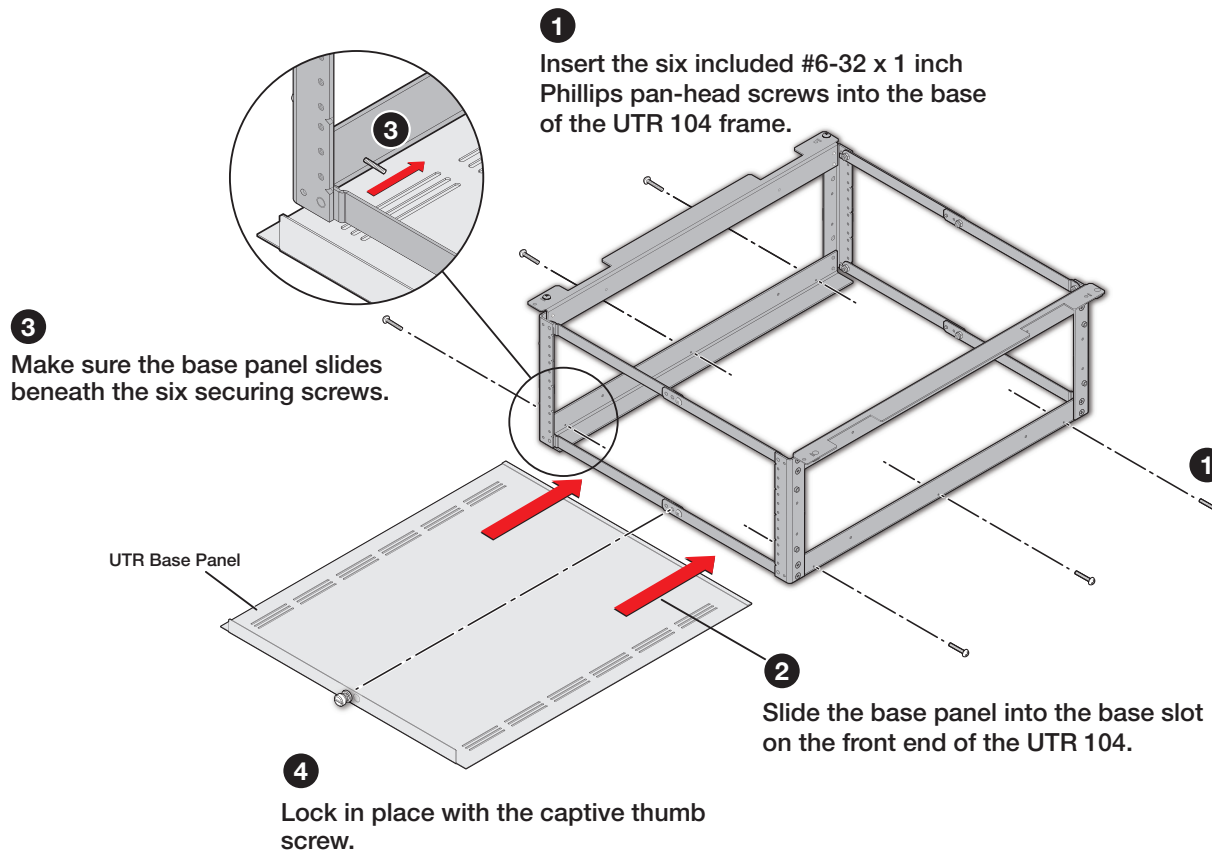


Figure 1. Installing the UTR BP

For information on safety guidelines, regulatory compliances, EMI/EMF compatibility, accessibility, and related topics, see the [Extron Safety and Regulatory Compliance Guide](#) on the Extron website.