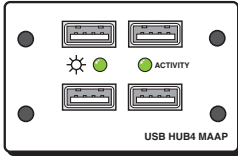


Setup Guide — USB HUB4 Series

This guide provides basic instructions for setting up the Extron USB HUB4 Series AAP and MAAP USB Hubs.

IMPORTANT:
Refer to www.extron.com for the complete user manual and installation instructions before connecting the product to the power source.



Installation

Step 1 — (Optional) Install the wall box or mounting bracket

If using an electrical wall box or a mounting bracket, install it in the wall or furniture. (Refer to “Wall or furniture mounting” in chapter 2 of the *USB HUB4 Series User’s Manual* for the procedure.)

Step 2 — Mount the HUB4 onto a mounting frame

Attach the USB HUB4 AAP or MAAP to an appropriate AAP or MAAP sized mounting frame, rack space frame, or other Extron architectural product. Refer to “Mounting the hub to a wall box” or “Mounting the hub to a mounting bracket” in chapter 2 of the user’s manual for details.

Step 3 — Connect the HUB4 to the host computer

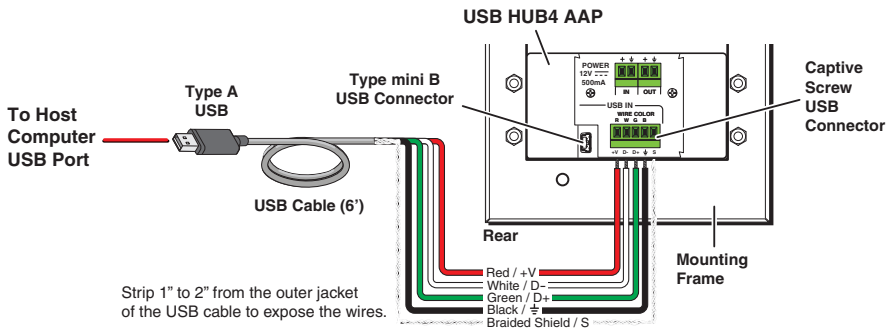
For ease of installation, you can connect the USB HUB4 to the host computer in either of the following ways:

- **Using the Type mini B USB connector:** Connect a Type A-to-Type mini B cable (provided) to the USB mini-B connector on the HUB4 rear panel.
- **Using the green captive screw USB In port:** Remove the Type B or Type mini B terminator from a Type A-to-B or Type A-to-mini B USB cable and insert the cable’s wires into the 5-pole USB In connector as shown below and at right. (This method may be necessary if space is limited.)

NOTE Choose *one* of these two methods to connect the HUB4 to the host computer. **Do not** connect the host computer to both HUB4 connectors at the same time.

Refer to “Connecting to the captive screw USB connector” in chapter 2 of the user’s manual for more information.

Wire color	Port
Red	V+ (+5 VDC)
White	D- (Data -)
Green	D+ (Data +)
Black	⏏ (Ground)
Braided shield	S (Shield)

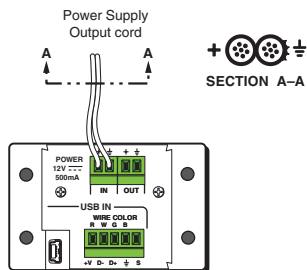


(Continued on reverse side)

Setup Guide — USB HUB4 Series, cont'd

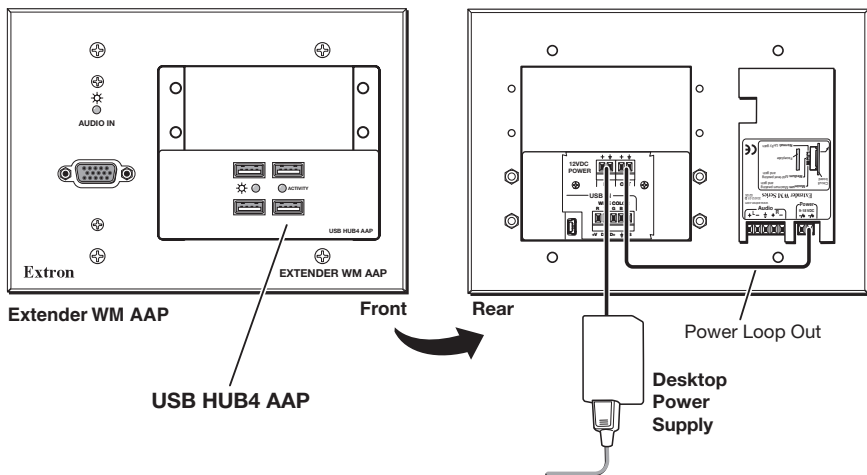
Step 4 — (Optional) Wire power connector

The HUB4 can be powered from the host computer. However, if the USB peripheral devices that are connected to the HUB4 require more power than the HUB4 can provide, wire an optional Extron P5 1210 1 A, 12 VDC power supply (part #70-775-01) to the 12VDC Power In ports (1 and 2) on the rear panel, as shown at right.



Connecting additional Extron devices

If using an additional Extron device, such as a WM Series Extender, with the external power supply, connect the device's power cord to the 12VDC Power Out ports (3 and 4). (See the example below.)



Step 5 — (Optional) Mount unit in wall box

If using an electrical box, mount the USB HUB4 and the attached mounting frame onto the box. (See the example at right.) If you are using a mounting bracket, this step is not needed.

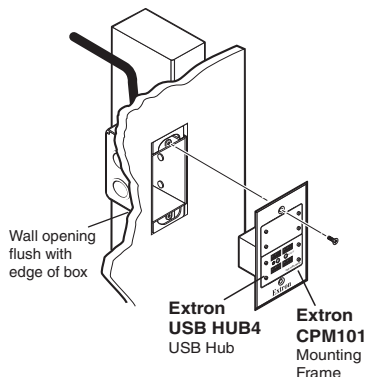
Step 6 — Connect peripheral devices

Attach your peripheral USB devices to the front panel USB Type A connectors.

Step 7 — Power on

Power on the host computer and the desktop power supply (if applicable).

Check the front panel power indicator LED to verify that the HUB4 is receiving power.



Extron **USA - West**
Headquarters
+800.633.9876
Inside USA / Canada Only
+1.714.491.1500
+1.714.491.1517 FAX

Extron **USA - East**
+800.633.9876
Inside USA / Canada Only
+1.919.863.1794
+1.919.863.1797 FAX

Extron **Europe**
+800.3987.6673
Inside Europe Only
+31.33.453.4040
+31.33.453.4050 FAX

Extron **Asia**
+800.7339.8766
Inside Asia Only
+65.6383.4400
+65.6383.4664 FAX

Extron **Japan**
+81.3.3511.7655
+81.3.3511.7656 FAX

Extron **China**
+400.883.1568
Inside China Only
+86.21.3760.1568
+86.21.3760.1566 FAX

Extron **Middle East**
+971.4.2991800
+971.4.2991880 FAX

68-1735-50
Rev. A
08 09