

USB-C HD 101 • Setup Guide

The Extron USB-C HD 101 provides connectivity between USB-C equipped sources and HDMI sink devices. Follow these instructions to install the USB-C HD 101.

1. Find a location to mount the product. Use the included ZipClip 200® mounting bracket and caddy if needed.
2. Connect input and output cables to the product. Use the included LockIt® lacing brackets to secure the cables in place to the product.
3. Apply power to the product.

LED Indicators and Rear Cabling



Figure 1. USB-C HD 101 - LED Indicators

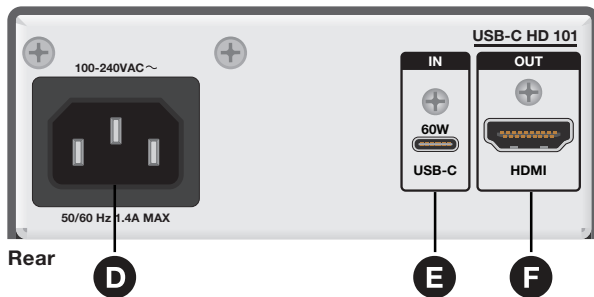


Figure 2. USB-C HD 101 - Rear Panel Ports

- A Power LED** – Indicates power to the unit.
- B Power Delivery LED** – Indicates power delivery from the USB-C input (**E**) to the USB-C source device.
- C SIGNAL LED** – Indicates signal detection from the USB-C input.
- D AC Power Input** – Connect the AC Power Cord to the AC Power input port.
- E USB-C input** – Connect a USB-C source to the USB-C input.

NOTE: The USB-C port provides up to 60W of power to a connected source device. Some USB-C sources may not be able to be powered via USB-C. Check the specific source specification or manual for more information. If the source requires greater than 60W of power, the source may still be able to be powered, may not power, or charge slowly.

- F HDMI output** – Connect an HDMI output device to the HDMI output.

Application Diagram

The following is a typical application diagram for the USB-C HD 101.

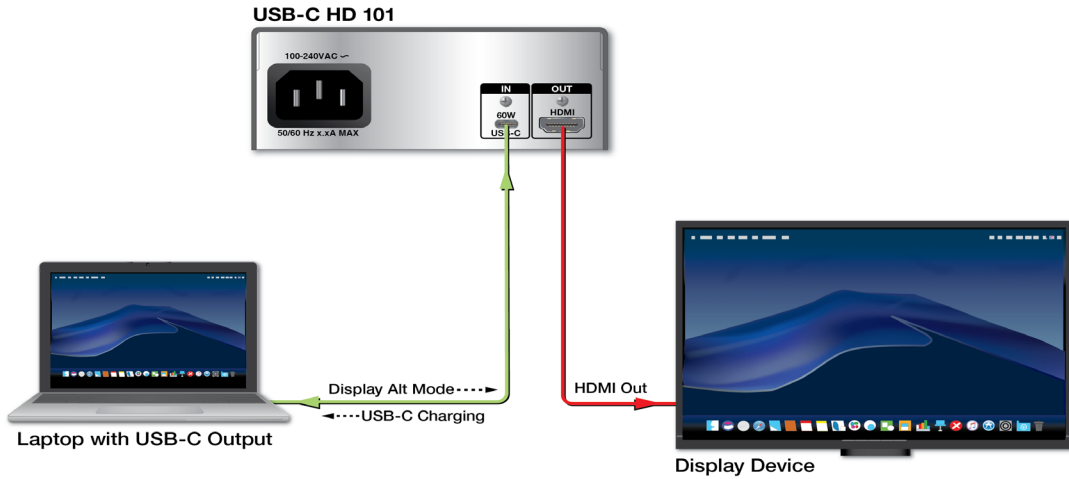


Figure 3. USB-C HD 101 Application Diagram

LockIt Lacing Bracket

Use the LockIt Lacing Bracket to securely fasten both the USB-C and HDMI cables to the device as follows:

- 1 Plug the cable into the designated rear panel port.
- 2 Loosen the connection mounting screw from the panel, enough to allow the LockIt lacing bracket to be placed over it. The screw does not need to be removed.
- 3 Place the LockIt lacing bracket on the screw and against the connector. Then, tighten the screw to secure the bracket.

ATTENTION:

- Do not overtighten the connector mounting screw. The shield it fastens to is very thin and can easily be stripped.
- Ne serrez pas trop la vis de montage du connecteur. Le blindage auquel elle est attachée est très fin et peut facilement être dénudé.

- 4 Loosely place the included tie wrap around the connector and the LockIt lacing bracket as shown.
- 5 While holding the connector securely against the lacing bracket, use pliers or similar tool to tighten the tie wrap. Then, remove any excess length.

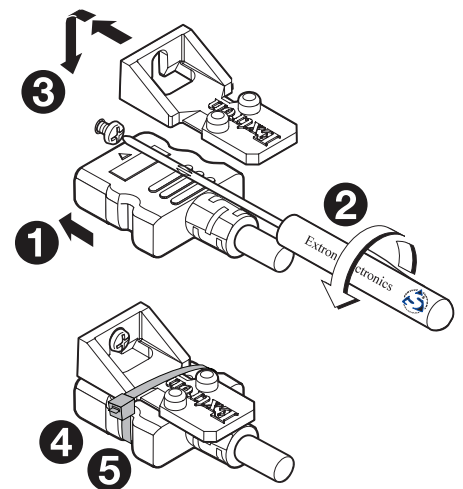


Figure 4. Lockit Bracket Installation

For information on safety guidelines, regulatory compliances, EMI/EMF compatibility, accessibility, and related topics, see the [Extron Safety and Regulatory Compliance Guide](#) on the Extron website.