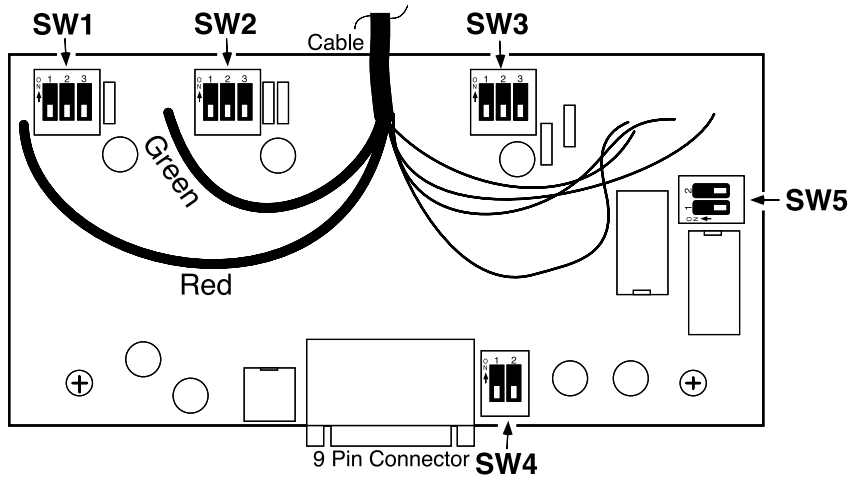


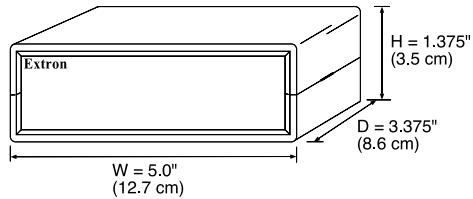
Hi Res ECL Buffer DIP Switch Settings

Verify that the Hi Res ECL Buffer internal DIP Switch settings are correct for your system application. To open the plastic housing, insert the flat blade of a screw-driver, or similar object, into the slot recess at either end of the enclosure and gently pry the halves apart. Once opened, orient the assembly so that the internal DIP switches match the orientation in the diagram below. Use the diagram and the table beneath it to verify or change the settings as required. An incorrect setting will not cause damage to the Hi Res ECL Buffer or the system being interfaced. Once settings are complete, snap the halves of the enclosure together.

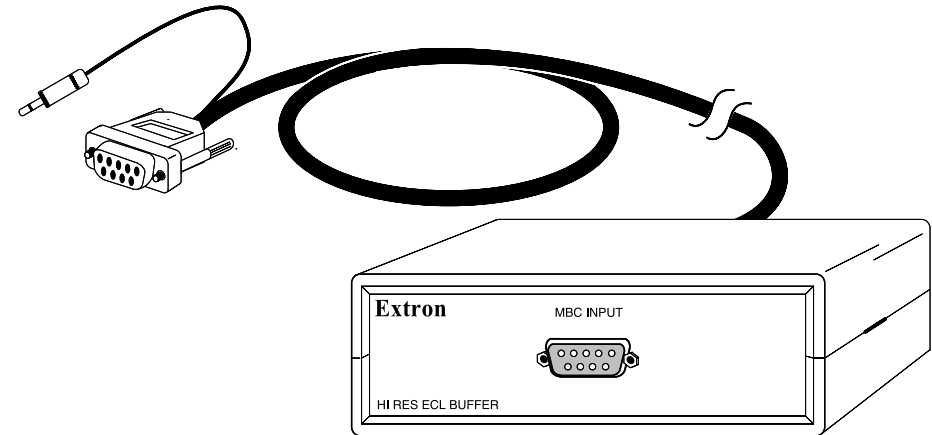


Workstation	SW1			SW2			SW3			SW4		SW5	
	1	2	3	1	2	3	1	2	3	1	2	1	2
MBC - SUN/APOLLO	ON	ON	X	OFF	X	X	ON	OFF	X	OFF	ON	OFF	ON
MBC - WANG WIIS	ON	ON	X	OFF	X	X	ON	OFF	X	ON	OFF	OFF	ON
IBM 3472/77 MONO	ON	OFF	X	ON	OFF	ON	ON	OFF	X	OFF	ON	OFF	ON
IBM 3472/77 COLOR	OFF	ON	X	ON	ON	X	OFF	ON	ON	OFF	ON	OFF	ON
MBC - SIGMA LVIEW	ON	OFF	ON	ON	OFF	ON	ON	OFF	X	OFF	ON	OFF	ON
MBC - NCD19 MONO	ON	ON	X	OFF	X	X	ON	OFF	X	ON	OFF	OFF	ON

X = No Effect



User's Guide



Hi Res ECL Buffer

P/N 26-177-01



EXTRON ELECTRONICS
1230 South Lewis Street
Anaheim, CA 92805
(714) 491-1500 FAX (714) 491-1517
U.S.A.

EXTRON ELECTRONICS, EUROPE
Beeldschermweg 6C
3821 AH Amersfoort
+31-33-453-4040 FAX +31-33-453-4050
The Netherlands

EXTRON ELECTRONICS, ASIA
41B Kreta Ayer Road
Singapore 089003
+65-226-0015 FAX +65-226-0019
Singapore

79-09

68-057-01
Rev. G3

Hi Res ECL Buffer Operation

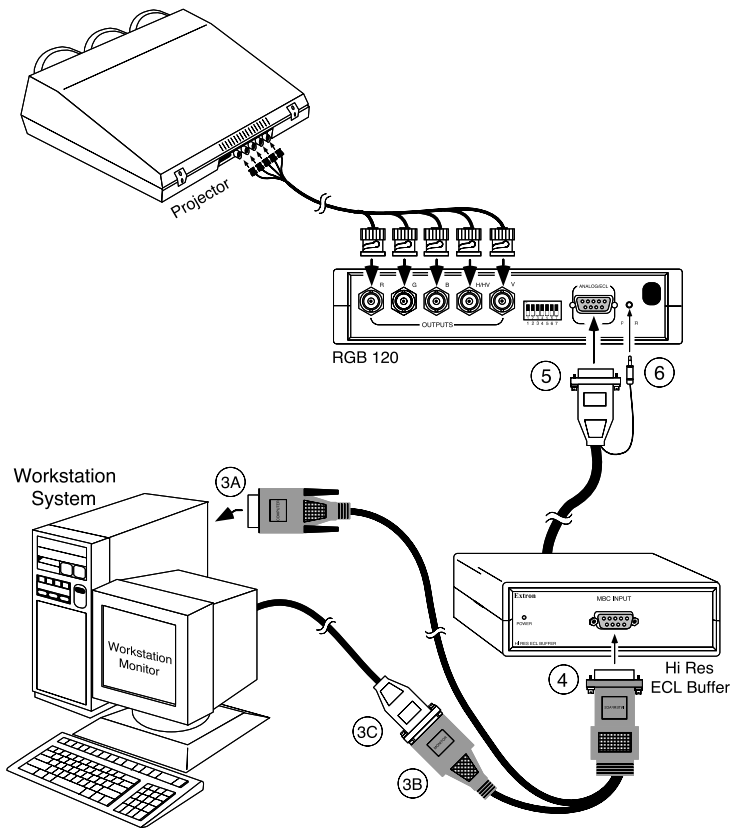
The Extron Hi Res ECL Buffer is for use when interfacing high resolution ECL signals from graphic workstations or PC's to a compatible graphics projector or monitor. The buffer is used in combination with any one of the RGB interfaces listed below to provide a buffered signal to the interface while maintaining its resolution and bandwidth.

The Hi Res ECL Buffer must be used in combination with a Monitor Breakout Cable (MBC) corresponding to the ECL signal from the original source PC or workstation. For example, when interfacing a Sun Monochrome Workstation, use the Hi Res Buffer along with an MBC Sun/Apollo cable (P/N 26-198-01).

Power is supplied to the Hi Res ECL Buffer, through the cable, from an MBC power jack located on the RGB Interface device.

The following Extron interfaces are compatible with the Hi Res ECL Buffer:

RGB 106E	RGB 108	RGB 108 PLUS
RGB 116	RGB 118	RGB 118 PLUS
RGB 120	RGB 200	RGB 202
RGB 202 PLUS	RGB 202xi	RGB 202 VS2
RGB 202 VS SL2	RGB 202 VTG	RGB 300

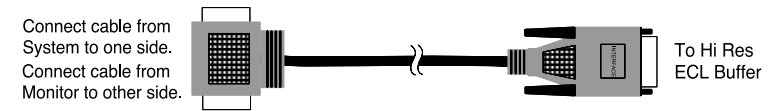


Installation Instructions

Prior to installing the Hi Res ECL Buffer, verify its internal DIP switch settings using the procedure on the back page.

Required equipment for installation is:

- Hi Res ECL Buffer (P/N 26-177-01)
 - RGB Interface (See list of compatible interfaces on facing page)
 - MBC cable compatible with computer being interfaced
1. Turn system power OFF. (Use diagram on facing page with instructions below.)
 2. Disconnect the local workstation monitor at the system.
 3. Connect the MBC cable labeled COMPUTER (3A) to the computer system's video output port. Connect the cable connector labeled MONITOR (3B) to the system's local workstation monitor (3C). If the MBC cable is the type with a molded dual connector at one end (as pictured below), connect the system cable to one side and the monitor cable to the other side of the dual connector.



4. Connect the MBC cable 9 pin female connector labeled INTERFACE to the Hi Res ECL Buffer input connector located on the front panel (4).
5. Connect the Hi Res ECL Buffer cable 9 pin female connector to the Analog/ECL input of the interface being used (5).
6. Plug the Hi Res ECL Buffer power connector (6) into the Interface MBC power jack which is located on the rear panel of the Interface (front panel of RGB 118 and RGB 118 PLUS).

NOTE: To activate power to the Hi Res ECL Buffer, an RGB 106E, 108, 200 or 202 must have dip switches 1 & 8 in the ON position. An RGB 108 PLUS or 202 PLUS must have dip switch 3 in the ON position.

7. Turn power ON and check for proper operation.
8. A Blue Enhance adjustment is available on the bottom of the Hi Res ECL Buffer enclosure (See picture to the right). This adjustment allows tweaking a blue text display to an easier to read blue-green color.

