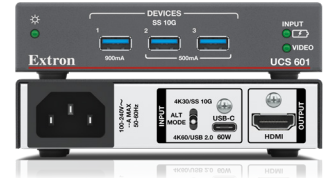


UCS 601 • Setup Guide



IMPORTANT NOTE:

Go to www.extron.com for the complete UCS 601 user guide, installation instructions, and specifications before connecting the product to the power source.



The UCS 601 is a pro AV dock that connects a USB-C equipped laptop to an HDMI display and USB devices for use in Unified Communications spaces. This dock supports HDMI 2.0, DisplayPort 1.2, USB 3.2 (SuperSpeed 10 Gbps) and HDCP 2.3 specifications, with resolutions up to 4K @ 60 Hz, and a built-in USB hub for USB peripherals such as cameras, touch displays, and microphones.

Installation

ATTENTION:

- For safety and convenience, the UCS 601 can be rack mounted, furniture mounted, or placed on a tabletop with the provided rubber feet.
- For complete installation instructions, including the LockIt Lacing Bracket and ZipClip mounting, see the UCS 601 User Guide at www.extron.com.

Cabling and Setup

The diagram below shows example connections for the UCS 601.

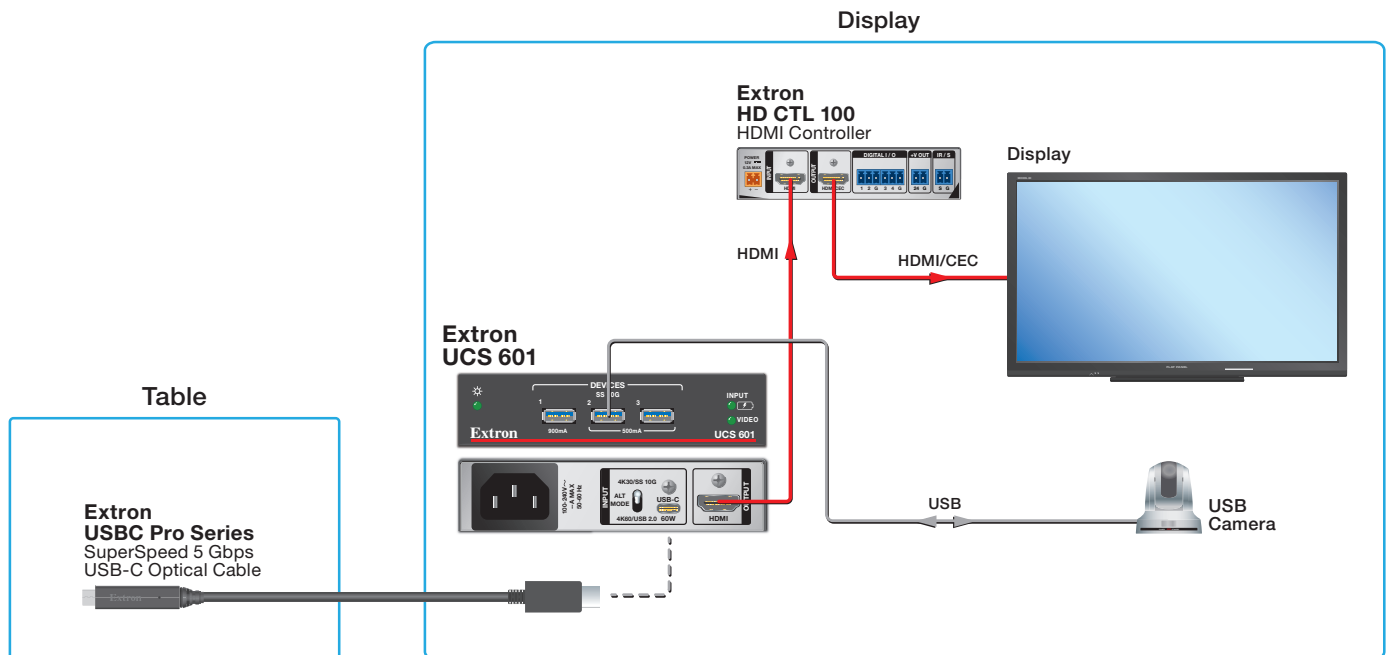


Figure 1. UCS 601 Front and Rear Connections

Front Panel Features

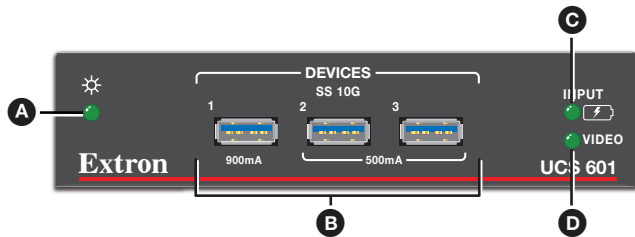


Figure 2. UCS 601 Front Panel

Rear Panel Features

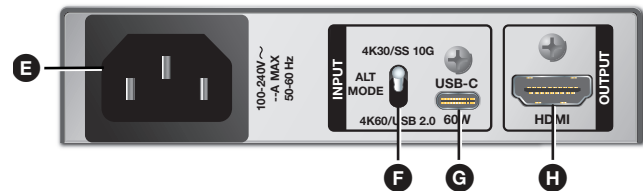


Figure 3. UCS 601 Rear Panel

- A Power LED** — indicates power status of unit.
- B USB 3.2 type-A device ports (3)** — Connect and power up to three USB peripheral devices (such as conferencing cameras, interactive white boards, microphones, and similar devices).
- C USB-C power LED** — indicates status of USB-C power delivery (see figure 3, **G**) to the host PC.
- D Video signal LED** — indicates input video signal status.
- E IEC power connector** — Connect the AC power cord to the AC power input.
- F DisplayPort Alt Mode switch** — Toggle up to support 4K, 30 Hz and USB 3.2. Toggle down to support 4K, 60 Hz and USB 2.0.

ATTENTION:

- Always use a power supply supplied by or specified by Extron. Use of an unauthorized power supply voids all regulatory compliance certification and may cause damage to the supply and the end product.
- Utilisez toujours une source d'alimentation fournie par Extron. L'utilisation d'une source d'alimentation non autorisée annule toute conformité réglementaire et peut endommager la source d'alimentation ainsi que l'unité.
- Unless otherwise stated, the AC/DC adapters are not suitable for use in air handling spaces or in wall cavities. The power supply is to be located within the same vicinity as the Extron AV processing equipment in an ordinary location, Pollution Degree 2, secured to the equipment rack within the dedicated closet, podium, or desk.
- Sauf mention contraire, les adaptateurs AC/DC ne sont pas appropriés pour une utilisation dans les espaces d'aération ou dans les cavités murales. La source d'alimentation doit être située à proximité de l'équipement de traitement audiovisuel dans un endroit ordinaire, avec un degré 2 de pollution, fixé à un équipement de rack à l'intérieur d'un placard, d'une estrade, ou d'un bureau.
- The installation must always be in accordance with the applicable provisions of National Electrical Code ANSI/NFPA 70, article 725 and the Canadian Electrical Code part 1, section 16. The power supply shall not be permanently fixed to building structure or similar structure.
- Cette installation doit toujours être en accord avec les mesures qui s'applique au National Electrical Code ANSI/NFPA 70, article 725, et au Canadian Electrical Code, partie 1, section 16. La source d'alimentation ne devra pas être fixée de façon permanente à une structure de bâtiment ou à une structure similaire.

NOTE: Before toggling the DisplayPort Alt Mode switch (**F**), disconnect the AC power cord (from **E**) and USB-C cable (from **G**) and power cycle. After 45 seconds, reconnect the power cable, followed by the USB-C cable.

- G USB-C input** — Connect a USB-C source device to the USB-C input.

NOTE: The USB-C port provides up to 60W of power to a connected source device. Check the specific source specification or manual for more information. If the source requires greater than 60W of power, the source may still be able to be powered, or may charge slowly.

- H HDMI output** — Connect an HDMI output device to the HDMI output.

NOTE: Extron recommends using HDMI Pro Series cables for 4K/UHD signals.

For information on safety guidelines, regulatory compliances, EMI/EMF compatibility, accessibility, and related topics, see the [Extron Safety and Regulatory Compliance Guide](#) on the Extron website.