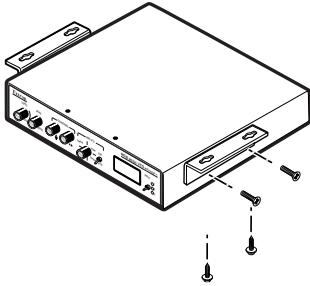


# MBU 125 Under-Desk Mounting Kit (Part #70-077-01)

## Installation Instructions

The specific device being mounted may ship with a to-scale template located in the device manual. Use the template as a guide for drilling holes, if available.

1. If necessary, remove the feet from the bottom of the device to be installed.
2. Attach the mounting brackets to the device using four machine screws supplied with the mounting kit.
- 3a. **If the device to be mounted included a to-scale, under-desk mounting template**, use the template to mark the four screw holes on the underside of the surface to which you are mounting the device. The other side of this card shows a not-to-scale template example.  

- 3b. **If the device to be mounted did not include a to-scale mounting template**, hold the product and brackets on the underside of the surface to which you are mounting the device and mark the four screw holes.



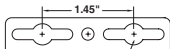
Extron Electronics, USA  
1230 South Lewis Street  
Anaheim, CA 92805  
800.633.9876 714.491.1500  
FAX 714.491.1517

Extron Electronics, Europe  
Beeldschermweg 6C  
3821 AH Amersfoort, The Netherlands  
+800.3987.6673 +31.33.453.4040  
FAX +31.33.453.4050

Extron Electronics, Asia  
135 Joo Seng Rd. #04-01  
PM Industrial Bldg., Singapore 368363  
+800.7339.8766 +65.6383.4400  
FAX +65.6383.4664

Extron Electronics, Japan  
Kyodo Building, 16 Ichibancho  
Chiyoda-ku, Tokyo 102-0082  
Japan  
+81.3.3511.7655 FAX +81.3.3511.7656

68-1295-01  
**Rev. B**  
07 07



Drill 3/32" x 1/4" deep  
pilot holes for supplied  
screws (4 places)



Under-Desk Mounting Bracket Template

**Example only –  
drawing is not to scale.**



4. Drill four pilot holes, each 3/32" in diameter by 1/4" deep, as marked on the template.
5. Using the four wood screws provided, attach the brackets under the mounting surface.

