

**IMPORTANT:**  
Go to [www.extron.com](http://www.extron.com) for the complete user guide, installation instructions, and specifications.

This setup guide provides instructions for an experienced installer to install and operate the EDID 101H 4K PLUS.

The EDID 101H 4K PLUS is a single-input, single-output HDMI EDID emulator supporting video rates up to 4K@60 Hz 4:4:4. It supports EDID Minder, HDCP 2.3, and Extron Product Configuration Software (PCS) configuration. The EDID 101H 4K PLUS can also capture and store EDID information from a connected display via the front panel **STORE** button.

The EDID 101H 4K PLUS is housed in a 1 inch high, quarter-rack width, 6-inch deep enclosure. An external universal power supply is included.

**NOTE:** For full installation, configuration, menus, connector wiring, and operation details, see the *EDID 101H 4K PLUS User Guide*, available at [www.extron.com](http://www.extron.com)

### Rear Panel Cabling

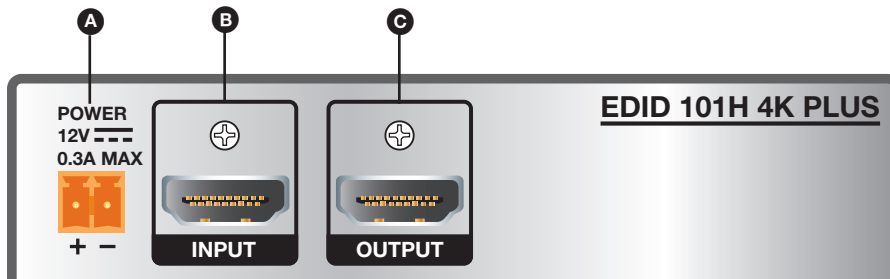


Figure 1. EDID 101H 4K Plus Rear Panel

**A Power Connector** — Connect the included 12 VDC power supply to the orange, two-pole, 3.5 mm captive screw connector. Wire the power supply as shown in figure 2.

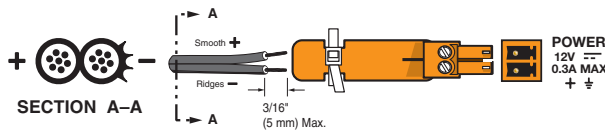


Figure 2. External Power Supply Connection

**ATTENTION:** Risk of property damage:

**ATTENTION :** Risque de dommages matériels :

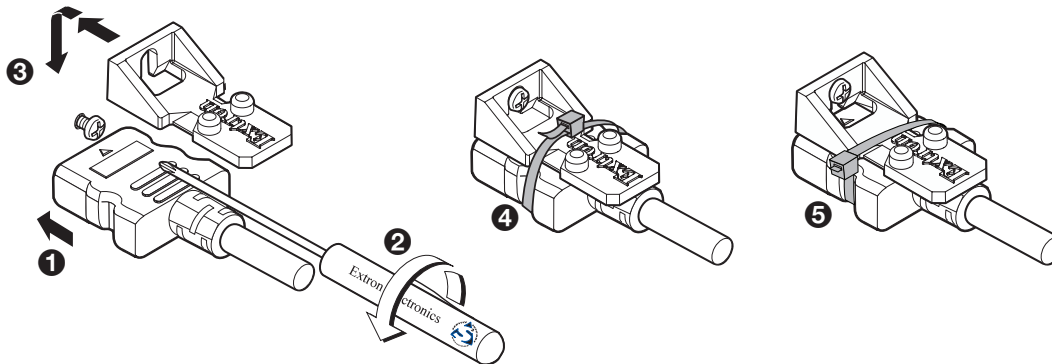
- Do not connect any external power supplies until you have read the Attention notifications in the Power Supply section of the user guide for that device.
- Ne branchez pas de sources d'alimentation externes avant d'avoir lu les mises en garde dans la section « Power Supply » du guide utilisateur pour cet appareil.

**B HDMI Input** — Connect an HDMI source to this HDMI connector.

**C HDMI Output** — Connect a display or other output device to the HDMI connector.

# EDID 101H 4K PLUS • Setup Guide (Continued)

## HDMI Connector LockIt Lacing Bracket



**Figure 3. Connecting HDMI Cable to LockIt Lacing Bracket**

Use the Extron LockIt Lacing Bracket to secure HDMI cables to the device.

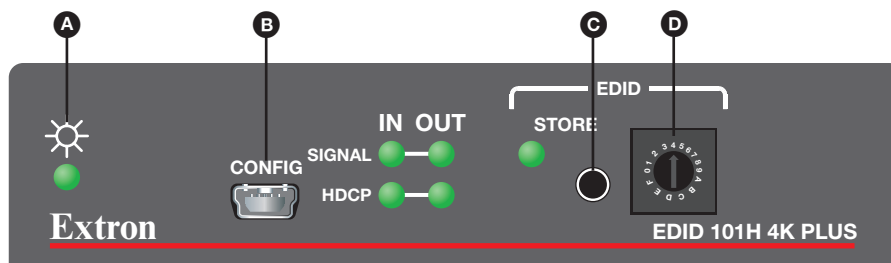
1. Plug the HDMI cable into the rear panel connection (see figure 3, **1**).
2. Loosen the HDMI connection mounting screw from the panel enough to allow the LockIt Lacing Bracket to be placed over it (**2**). The screw does not have to be removed.
3. Place the LockIt Lacing Bracket on the screw and against the HDMI connector (**3**), then tighten the screw to secure the bracket.

### ATTENTION:

- Do not overtighten the HDMI connector mounting screw. The shield to which it is fastened is very thin and can easily be stripped.
- Ne serrez pas trop la vis de montage du connecteur HDMI. Le blindage auquel elle est attachée est très fin et peut facilement être dénudé.

4. Loosely place the included tie wrap around the HDMI connector and the LockIt Lacing Bracket as shown (**4**).
5. Hold the connector securely against the lacing bracket, tighten the tie wrap, then remove the excess length (**5**).

## Front Panel



**Figure 4. EDID 101H 4K Plus Front Panel**

- A Power LED** – Illuminates when power is supplied.
- B Config Port** – Connect a USB mini-B cable to provide USB communication with unit.
- C EDID STORE Button** – When pushed in, the **STORE** button initiates both reading and storing the EDID from the connected display. Press the **STORE** button to read the EDID of the connected device and store it to a user slot selected by the rotary switch. Up to four EDID files (switch positions C through F) can be stored.  
**Reset** – To reset the EDID 101H 4K PLUS to its default state, press and hold the **STORE** button while applying power. As power is applied, all front panel LEDs blink 3 times indicating a successful reset.
- D EDID Selection Rotary Switch** – The 16-position rotary switch allows the user to select from 12 factory EDID files and 4 store slots. When any position 0-F is selected, the corresponding slot in the EDID lookup table will be assigned to the input, and an unsolicited SIS response will be sent. This is summarized in the table on the next page.

Rotary Switch Position	Native Resolution	Refresh	Audio Format
0	1280 x 800	60 Hz	2-Ch
1	1600 x 900	60 Hz	2-Ch
2	1920 x 1200	60 Hz	2-Ch
3	2560 x 1400	60 Hz	2-Ch
4	2560 x 1600	60 Hz	2-Ch
5	720p	50 Hz	2-Ch
6	720p	60 Hz	2-Ch
7	1080p	50 Hz	2-Ch
8	1080p	60 Hz	2-Ch
9	4K/UHD	30 Hz	2-Ch
A	4K/UHD 4:2:0	60 Hz	2-Ch
B	4K/UHD 4:4:4	60 Hz	2-Ch
C	Store Slot 1		
D	Store Slot 2		
E	Store Slot 3		
F	Store Slot 4		

LED State	Rotary Switch	Store Button	Description
Off	0-B	Non-functional	EDID storing is not possible on the selected rotary position.
Green (flashing)	C-F	Button has been pressed and released	The STORE button has been pressed and the EDID is currently being stored to the selected user store slot.
Green (solid)	C-F	N/A	EDID storing is possible on the selected rotary position, or the storing process is complete (if following the flashing state).

## Connect and Power the EDID 101H 4K PLUS

1. Set the rotary switch (see [figure 4](#) on the previous page) for the desired resolution.
2. Connect an HDMI cable from the source to the EDID 101H 4K PLUS Input (see [figure 4](#), **B** on page 2).
3. Connect an HDMI cable from the EDID 101H 4K PLUS Output (see [figure 4](#)) to the display or distribution system.
4. Turn on the video display.
5. Connect the power supply to the EDID 101H 4K PLUS (see [figure 4](#)).
6. Connect AC power to the power supply. The EDID 101H 4K PLUS power LED lights green.
7. Turn on the video source. The video source reads the EDID from the EDID 101H 4K PLUS.

For information on safety guidelines, regulatory compliances, EMI/EMF compatibility, accessibility, and related topics, see the [Extron Safety and Regulatory Compliance Guide](#) on the Extron website.