



A WORLD OF A/V SOLUTIONS



INTERFACES

**CIA116 TABLE / RACK MOUNT  
COMPUTER INTERFACE WITH MODULAR A/V FACEPLATE**



CIA116 WITH TABLE MOUNT BRACKETS (INCLUDED)



CIA116 WITH OPTIONAL RACK EARS

**CIA116**  
**OPERATION MANUAL**



## Installation and Safety Instructions

**For Models without a Power Switch:**

The socket outlet shall be installed near the equipment and shall be accessible.

**For all Models:**

No serviceable parts inside the unit. Refer service to a qualified technician.

**For Models with Internal or External Fuses:**

For continued protection against fire hazard, replace only with same type and rating of fuse.



## Instructions d'installation et de sécurité

**Pour les modèles sans interrupteur de courant:**

La prise de courant d'alimentation sera installé près de l'équipement et sera accessible.

**Pour tout les modèles:**

Pas de composants à entretenir à l'intérieur. Confiez toute réparation à un technicien qualifié.

**Pour les modèles équipés de fusibles internes ou externes:**

Afin d'éviter tout danger d'incendie, ne remplacer qu'avec le même type et la même valeur de fusible.



## Installations- und Sicherheitshinweise

**Für Geräte ohne Netzschalter:**

Die Netzsteckdose soll in der Nähe des Gerätes installiert und frei zugänglich sein.

**Für alle Geräte:**

Keine Wartung innerhalb des Gerätes notwendig. Reparaturen nur durch einen Fachmann!

**Für Geräte mit interner oder externer Sicherung:**

Für dauernden Schutz gegen Feuergefahr darf die Sicherung nur gegen eine andere gleichen Typs und gleicher Nennleistung ausgetauscht werden.



## Instalacion E Instrucciones de Seguridad

**Modelos Sin Interruptor:**

La conexión debe ser instalada cerca del equipo y debe ser accesible.

**Para Todos Los Modelos:**

Dentro de la unidad , no hay partes para reparar. Llame un tecnico calificado.

**Modelos con Fusibles Internos o Externos:**

Para prevenir un incendio, reemplace solo con el mismo tipo de fusible.

### CE COMPLIANCE

All products exported to Europe by Inline, Inc. after January 1, 1997 have been tested and found to comply with EU Council Directive 89/336/EEC. These devices conform to the following standards:

EN50081-1 (1991), EN55022 (1987)  
EN50082-1 (1992 and 1994), EN60950-92

**Shielded interconnect cables must be employed with this equipment to ensure compliance with the pertinent Electromagnetic Interference (EMI) and Electromagnetic Compatibility (EMC) standards governing this device.**



### FCC COMPLIANCE

This device has been tested and found to comply with the limits for a Class A digital device, pursuant to Part 15 of the FCC rules. These limits are designed to provide against harmful interference when equipment is operated in a commercial environment. This equipment generates, uses and can radiate radio frequency energy and, if not installed and used in accordance with the instruction manual, may cause harmful interference to radio communications. Operation of equipment in a residential area is likely to cause harmful interference, in which case the user will be required to correct the interference at their own expense.

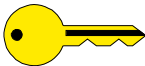
## Product Overview

### DESCRIPTION

The **CIA116** is a high-performance computer interface for analog video and stereo audio signals. The unit is compatible with a variety of analog video signals including VGA, SVGA, XGA, SXGA, UXGA, Macintosh<sup>®</sup>, Sun<sup>™</sup>, SGI<sup>™</sup> and other high-resolution workstations. The **CIA116** combines high-resolution computer interfacing and modular A/V connector plates into a versatile unit that fills several different installation applications. This highly integrated approach gives audiovisual professionals the ability to quickly design and install functional, customized computer interfacing and A/V connectivity solutions for a broad spectrum of applications. Like other **INLINE** interfaces, the **CIA116** performs the following functions:

- **Signal Splitting** - allows the simultaneous connection and viewing of both the computer's local monitor and a second output device such as a data projector or a presentation monitor.
- **Physical Interfacing** - Because computers employ many different types of video output connectors, it is sometimes difficult to directly connect them to data projection devices. The **CIA116** simplifies interfacing tasks by acting as a universal adapter. Through the use of removable input cables, the **CIA116** can be attached to different computers and will provide a video output signal on five BNC connectors. The output signal may be set to RGBHV (default), RGBS or RGsB formats.

#### KEY CONCEPT



*The **CIA116** is not a scan converter. The data projector, monitor or other output device must be compatible with the horizontal scan rate output by the computer video card.*

### PRODUCT FEATURES

- **15-Pin HD VGA Standard Connectors** - The **CIA116** connects directly to PC, Mac and SGI graphics ports and local monitors using high-resolution coaxial VGA extension / adapter cables.
- **Three unique installation applications:**
  - 1) The **CIA116** mounts neatly under a conference or boardroom table, computer workstation or podium.
  - 2) The unit fits snugly into a 1U rack space.
  - 3) The interface can be flush mounted in a table surface exposing only the faceplate.
- **Ultra High-Resolution Amplification** - The **CIA116** provides superb performance with analog video signals at any resolution.
- **Modular A/V Connector Plates** - The front panel accepts up to four (4) A/V connector modules, available with a variety of popular connectors.
- **Audio Buffering** - The **CIA116** accepts unbalanced stereo audio from a computer sound card and can be set to output a balanced or unbalanced signal.
- **Selectable Output Sync Format** - The unit can be set for RGBHV (default), RGBS or RGsB output sync as required by the data display device and signal distribution system.
- **Buffered Local Monitor Output** - ensures the highest quality display on a local monitor.
- **One-Button Monitor Emulation** - makes it easy to use the interface without a local monitor.
- **New Soft-Touch Rocker Button for Horizontal Position Control** - allows precise centering of the image within the data display area.
- **Sharpness Control** - provides effective image enhancement for high-resolution video signals by increasing clarity and image detail, and compensates for signal loss during long cable runs.

- **Dual Front Panel A/C Power Outlets** - provide a convenient place to plug in a laptop computer, CD player or other portable A/V device.
- **Available in Six Different Models to Match Decor and Regional Power Outlet Style:**
  - CIA116-1** - Interface with (2) Edison A/C Convenience Outlets - Black Finish.
  - CIA116-2** - Interface with (2) Edison A/C Convenience Outlets - White Finish.
  - CIA116-3** - Interface with (2) Europlug A/C Convenience Outlets - Black Finish.
  - CIA116-4** - Interface with (2) Europlug A/C Convenience Outlets - White Finish.
  - CIA116-5** - Interface with (2) IEC A/C Convenience Outlets - Black Finish.
  - CIA116-6** - Interface with (2) IEC A/C Convenience Outlets - White Finish.
- **400 MHz Bandwidth**

The **CIA116** simplifies the design and installation process since a single unit fills the function of both video interface and A/V connector plate. Available A/V modules are listed on pages 13-14.

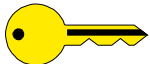
## Compatibility

### INPUT

The **CIA116** will accept high-resolution video signals from virtually any computer that outputs an analog video signal. The unit will work with signals at virtually any resolution and refresh rate. Compatible computer video signals include VGA, SVGA, XGA, MAC, SUN, SGI and other high-resolution computers outputting an analog video signal. Input signal compatibility parameters are listed below.

Video Signal:	Analog RGB Video
Signal format:	RGBHV, RGBS, RGsB*
Horizontal Frequency Range:	30 KHz to 130 KHz
Vertical Refresh Rates:	30 Hz to 120 Hz

#### KEY CONCEPT



*\* The **CIA116** will operate with RGsB input signals. However, the unit will not strip sync off of the green. RGsB input signals are always output as RGsB (they cannot be output as RGBS or RGBHV). Also, the horizontal position control will not operate when used with RGsB input signals.*

### OUTPUT

The output signal of the **CIA116** is analog RGB video with TTL sync on 3, 4 or 5 female BNC connectors. The output format can be set to RGBHV, RGBS or RGsB using dipswitches. This output signal is compatible with high-resolution data grade monitors and data / graphics projectors.

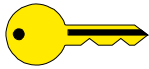
#### KEY CONCEPT



*VGA, MAC, SUN, SGI and other high-resolution workstations operate in several video modes encompassing a wide range of resolutions and scan rates. Many of the video signals from the newest models can run as high as 70 KHz or more, with the newest VGA cards offering an output resolution of 1600 x 1200 (some can even go as high as 1800 x 1440). The data projector or monitor connected to the interface output must be compatible with the horizontal scan rate and vertical refresh rate of the computer's video signal. Please check the documentation for both the computer graphics card and the data display device to ensure compatibility.*

## Installation

### KEY CONCEPT



**CAUTION:** *Installation of the CIA116 must only be carried out by qualified technicians.*

This section offers step-by-step instructions for installing the **CIA116**. An Application Diagram is provided on page 6, and Front and Rear Panel Connector and Control Diagrams are on page 7.

*Note: Read the instructions carefully before initiating the installation procedure. Before you begin, make sure that there is no power connected to the system, and that all the power buttons are off.*

- 1.) Set the dipswitches as appropriate for your installation (see page 9 for more details). The **CIA116** factory default output format is RGBHV. If your display device, routing system, or cabling require a different format, use the dipswitches to change the output signal to RGBS or RGsB as necessary. For best results with high-resolution data projectors / presentation monitors, refer to **Optimal Settings for LCD / DMD / D-ILA / Plasma Displays** on page 9.
- 2.) **For mounting the CIA116 under a conference or boardroom table, computer workshop, or podium** - use #6- 1/2" wood screws to mount the interface at the desired location (the **IN9252** integral mounting brackets and wood screws are included).

- 3.) **For rack-mount installations** - make sure that the **CIA116** is securely installed in a standard 19" equipment rack using the **IN9254 / IN9255** rack ears (optional).

*Note: The **IN9254** rack ears can accommodate four additional A/V connector modules.*

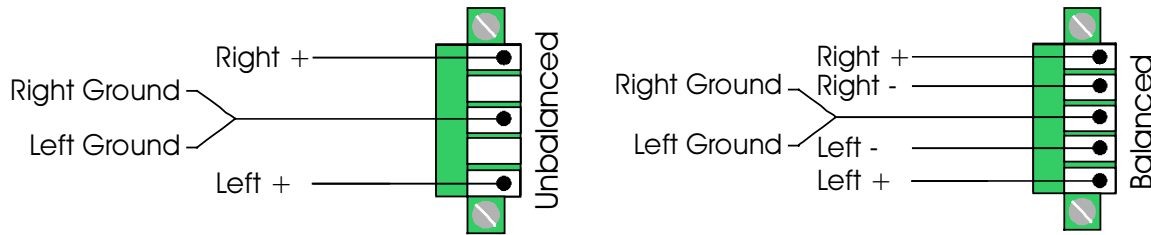
- 4.) **For Flush-Mount Applications** - install the interface into a table, podium or presentation furniture using the optional **IN9253** flush-mount brackets.

*Note: A Dimensions Diagram is provided on page 15.*

- 5.) Terminate any audio, video and control cables to the backside of the A/V connector modules as required by your installation (a complete list of available modules is provided on pages 13 and 14). The **CIA116** can also be installed with one or two **IN9367D** double size blank plates (included).
- 6.) Using the **IN9334** 3/32" Allen Wrench (included), attach the modular connector plate(s) to the front panel of the **CIA116**, making sure that none of the cables are pinched or damaged.
- 7.) Connect the video coax cable to the (5) BNC female connectors using three, four, or five high-resolution BNC cables, or a multi-conductor RGBHV, RGBS or RGB "snake." The **IN7000 / IN7200 / IN7300** and **IN7400P Series** high-resolution cables are well suited for this purpose. Take care while making connections to insure that the red output is connected to the red input, green output to the green input, etc.
- 8.) Connect the audio output cable to the appropriate pins on the **CIA116** 5-pin captive screw connector. Make sure that the stereo audio output is connected appropriately for a balanced or unbalanced signal as required by the installation (see the diagram on the following page).

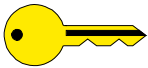
**Unbalanced Output** - connect to the Left, Right and Ground connectors.

**Balanced Output** - connect to Left +, Left-, Right+, Right- and Ground connectors.



- 9.) Apply power to the **CIA116** using the **IN9230** power cord (included). The power LED on the front of the unit will illuminate.
- 10.) Turn the computer and computer monitor off. Disconnect the computer monitor from the video output port on the computer.
- 11.) Connect the computer graphics card to the **CIA116** 15-pin video input port.
  - **PC / MAC / SGI Computers with 15-pin HD Video Ports** - can be connected via **IN8000M-1 / IN8200M-1 Series** high-resolution coaxial VGA cables.
  - **Older Macintosh (15-pin D) / SUN (13W3) / Workstations (4 or 5 BNC)** - can be connected using the appropriate input / output cables listed in the chart on the following page.
- 12.) Connect the computer sound card output (if applicable) to the **CIA116** 3.5mm female stereo audio input connector using an **IN8200-1 Series** cable [15-pin HD with 3.5mm (M-M) mini DIN], or an **IN9106** audio patch cable (3.5mm stereo mini male to 3.5mm stereo mini male). For computers with RCA connectors, use the **IN9107** audio adapter cable [(1) 3.5mm stereo mini male to (2) RCA male].
- 13.) Connect the local computer monitor (if applicable) to the local monitor output port of the **CIA116**. Monitors with 15-pin VGA connectors will attach directly to the interface. For other types of monitors, refer to the table on the next page.

**KEY CONCEPT**



*If a local monitor is required, disengage the monitor emulation feature by pressing the Monitor Emulation Button. See page 9 for more details.*

- 14.) Turn the computer and computer monitor on. If necessary, adjust the sharpness and horizontal position controls (see page 8 for more details).

## ADAPTER / EXTENSION CABLES FOR INPUT AND LOCAL MONITOR OUTPUT

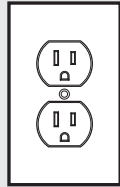
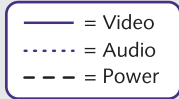
The **CIA116** has 15-pin HD VGA-type input and local monitor output connector ports. The following cables / adapters are available:

Computer	3'	6'	12'	25'	35' +
<b>VGA: 15-Pin HD</b>					
Input Cable (M-M)	IN8003M-1	IN8006M-1	IN8012M-1	IN8025M-1	IN80xxM-1
Output Cable (M-F)		IN8006-1	IN8012-1	IN8025-1	IN80xx-1
<b>VGA with Stereo Audio: 15-Pin HD with 3.5mm (M-M) mini DIN</b>					
Input Cable (M-M)	IN8203M-1	IN8206M-1	IN8212M-1	IN8225M-1	IN82xxM-1
Output Cable (M-F)	IN8203-1	IN8206-1	IN8212-1	IN8225-1	IN82xx-1
<b>MAC with 15-Pin D:</b>					
Input Cable (M-M)		IN9140M		IN9144M	
Output Cable (M-F)	IN9141			IN9145	
<b>MAC G3, G4 and PowerBook with 15-Pin HD*:</b>					
Input Cable (M-M)		IN8006M-1	IN8012M-1	IN8025M-1	IN80xxM-1
Output Cable (M-F)		IN8006-1	IN8012-1	IN8025-1	IN80xx-1
<b>SUN: 13W3 (may also be used with SGI with RGB output)</b>					
Input Cable (M-M)		IN9142M		IN9146M	
Output Cable (M-F)	IN9143			IN9147	
<b>Workstation: 5 BNC / RGBHV</b>					
Input Cable (M-M)		IN9045-L6	IN9045-L12	IN9045-L25	IN9045-Lxx
Output Cable (M-M)		IN9045-L6	IN9045-L12	IN9045-L25	IN9045-Lxx
<b>Workstation: 4 BNC / RGBS</b>					
Input Cable (M-F)		IN9100			

\*Newer Mac G3 models (with translucent cases) have 15-Pin HD connectors (pins arranged in 3 rows). Older G3 models (with solid white enclosures) incorporate 15-Pin D connectors (pins arranged in 2 rows).

# CIA116 COMPUTER INTERFACE

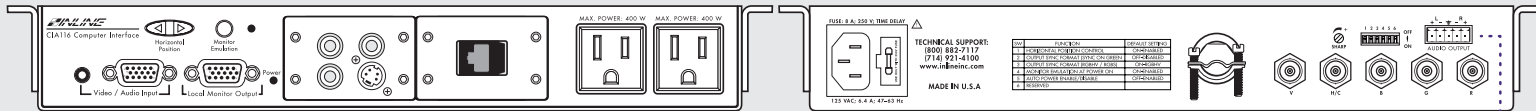
# APPLICATION DIAGRAM



A/C Power Supply

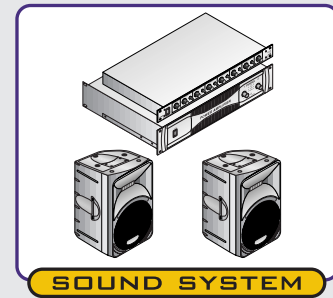
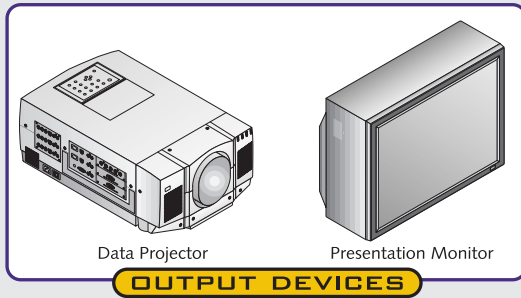
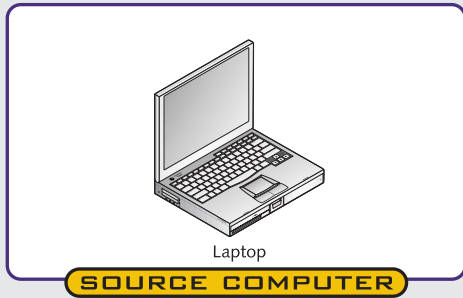
CIA116 Interface — Front

CIA116 Interface — Back



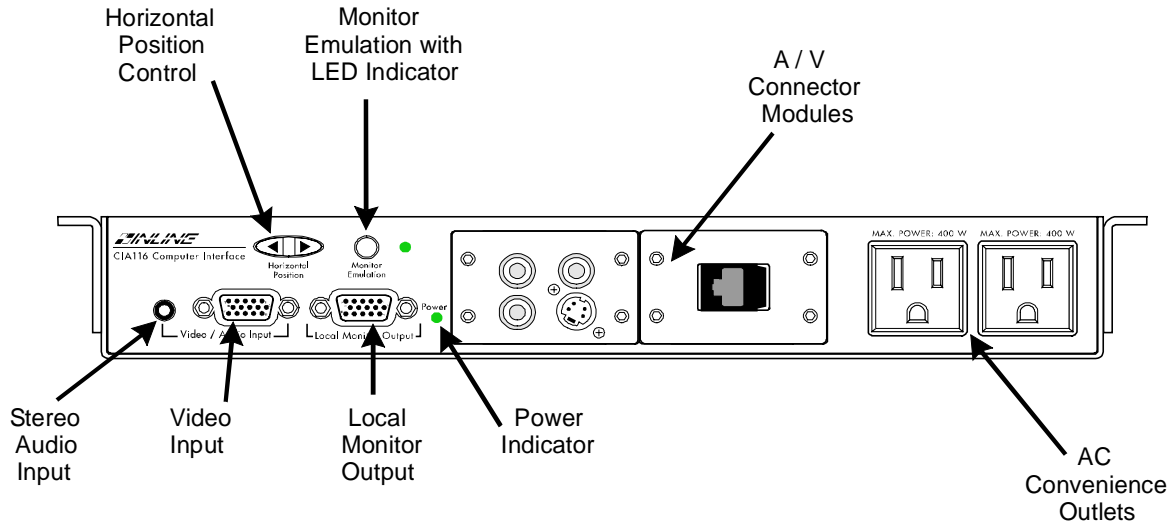
IN8000 VGA Cable /  
 IN8200 VGA & Stereo Audio Cable

IN7000-5 / IN7200-5 /  
 IN7300-5 Coaxial Cable

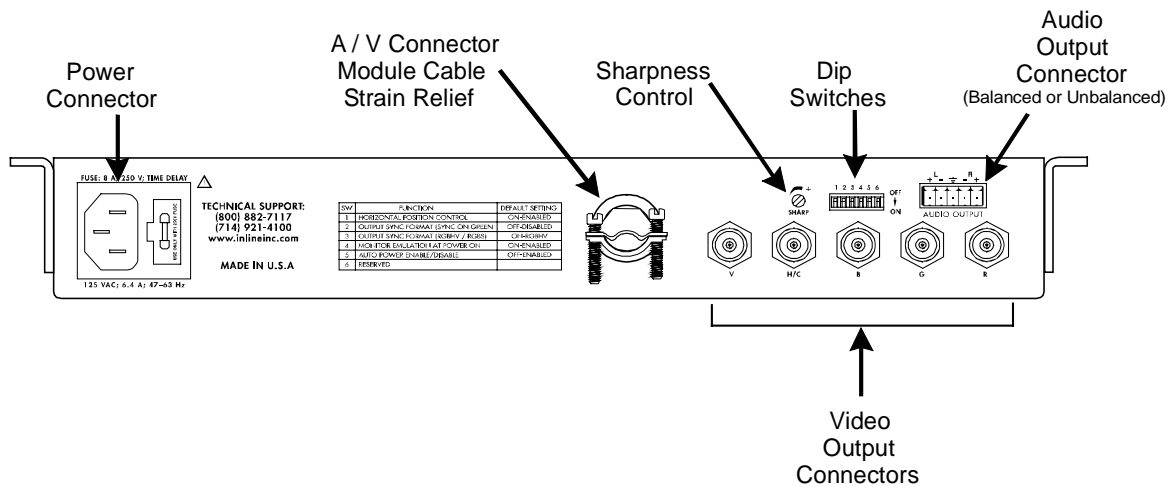




## CIA116 FRONT PANEL CONNECTORS AND CONTROLS



## CIA116 REAR CONNECTORS AND CONTROLS



## HORIZONTAL POSITION CONTROL

The location of the horizontal position control is shown in the Front Panel Connectors and Controls Diagram on the previous page. Press and release the rocker button to shift the image by one step to the left or right. Press and hold the button to shift the image continuously.

*Note: The horizontal position control has no effect on the local computer monitor.*

If the horizontal position adjustment is set to an extreme position on either the display device or the **CIA116**, the output image may appear dark and / or the colors may be displayed improperly. To position the video image and achieve optimum picture quality:

1. Set the display device's horizontal position control to the center of its adjustment range.
2. Adjust the horizontal position control on the **CIA116** until the picture is centered properly on the display device.

*Note: The horizontal position control does not work with RGB input signals.*

## SHARPNESS CONTROL

The **CIA116** sharpness / peaking circuitry provides variable high frequency equalization that can compensate for signal losses due to long output cable runs. Careful optimization of the sharpness control at the time of installation will result in a greatly enhanced image with increased clarity and edge detail. The amount of high frequency boost required for each display system will vary depending on the length and bandwidth performance of the video output cables, and, to a lesser extent, the resolution and frequency of the input signal. When using short output cables, the sharpness control should usually be placed at the minimum setting to avoid over-peaking.

The sharpness control is located on the back of the interface (see diagram on page 7). Using the **IN9339** Adjustment Tool (provided), turn the sharpness control clockwise to increase the sharpness setting, and counterclockwise to decrease the sharpness setting. The factory default setting is minimum (no sharpness / peaking enhancement). The following guidelines are useful in selecting the optimal sharpness / peaking setting:

**If the image is soft and / or fine details in the picture lack clarity:**

The sharpness is probably set too low. Increase the sharpness control setting.

**If a white, ghosted image appears to the right side of the lines / characters:**

The sharpness is probably set too high (over-peaked). Decrease the sharpness control setting.

## DIPSWITCH SETTINGS

Most installations will not require any changes to the dipswitch settings. The factory default and specialized dipswitch settings are indicated below.

### Factory Default Settings:

<b>Dipswitches ON:</b>	1, 3 & 4
<b>Horizontal Position Control:</b>	Enabled
<b>Signal Format:</b>	RGBHV
<b>Monitor Emulation at Power Up:</b>	Enabled

The following table lists the functions of the 6 dipswitches:

DIPSWITCH	FUNCTION	SETTING
1	Horizontal Position Control	On = Enabled* Off = Disabled
2	Output Sync Format (sync on green)	On = RGsB Off = RGBS / RGBHV*
3	Output Sync Format (RGBS or RGBHV)	On = RGBHV* Off = RGBS
4	Monitor Emulation at power up	On = Enabled* Off = Disabled
5	Reserved	
6	Reserved	

\* Factory Default Setting

## MONITOR EMULATION

The factory default setting for the **CIA116** is Monitor Emulation Enabled. **If the application requires a local monitor**, make sure that the front panel Monitor Emulation LED is OFF (press the MONITOR EMULATION Button to toggle between enabled / disabled). **If no local monitor is necessary**, make sure the Monitor Emulation LED is ON.

## OPTIMAL SETTINGS FOR LCD / DMD / D-ILA / PLASMA DISPLAYS

**Output Sync Format - CIA100 Series** Interfaces feature advanced sync processing circuitry that offers superb compatibility with a wide range of display devices. The **CIA116** has been designed (and extensively tested) to provide excellent operation when set for RGBHV, RGBS and RGsB output signal formats. However, some display devices most readily identify and display VGA-type signals when they are in the RGBHV signal format. For this reason, users may achieve optimal compatibility and more consistent results when the interface is set to the factory default output sync format of RGBHV (see **Dipswitch Settings** above).

**Horizontal Position Control** - The **CIA116** horizontal position control utilizes a new circuit design that provides excellent image quality and greatly enhanced compatibility with a variety of data display technologies. However, in rare cases, instability in parts of the displayed image may still occur (depending on the design of the display device's sync circuitry). Adjusting the data display's fine phase or auto phase adjustment will usually alleviate the problem. If problems persist, users may wish to disable the **CIA116** horizontal position control (see **Dipswitch Settings** above).

## Specifications

CIA116 Table Mount / Rack Mount Computer Interface	
<b>Input</b>	
Connector Type	(1) 15-pin HD female - standard VGA pin-outs
RGB Video Signals	Analog, 1.5 Vp-p max.
Input Impedance	75 ohm
Sync Signals	TTL compatible
Horizontal Scan Rate	30 KHz - 130 KHz
Vertical Sync Range	30 Hz - 120 Hz
Stereo Audio Connector	(1) 3.5mm stereo mini female for unbalanced stereo audio
<b>Output</b>	
Local Monitor (Buffered)	15-pin HD female - standard VGA pin-outs
Main Output	(5) female BNC connectors
Output Signal Formats	RGBHV, RGSB or RGsB
RGB Signals	Analog Video, 75 ohm impedance
Video Bandwidth	400 MHz @ -3 dB with 0.7 Vp-p input signal
Rise and Fall Times	1.0 nano seconds
Gain	1.0 +/- 5% (unity)
Main Audio Output	5-pin Phoenix connector for balanced or unbalanced audio Impedance: 50 ohm
<b>Dimensions</b>	
Size (without brackets)	1.75" H x 11.75" W x 4.75" D / 4.5cm x 29.2cm x 12.1cm
Product Weight	2 lbs. / 0.9 kg.
Shipping Weight	4 lbs. / 2 kg.
<b>Power</b>	
Power Supply	<b>CIA116-1 / -2:</b> 125 VAC; 6.4 A; 47-63Hz <b>CIA116-3 / -4 / -5 / -6:</b> 250 VAC; 3.2 A; 47-63Hz
<b>Regulatory Compliance</b>	
Safety	UL 1950, CAN/CSA-22.2 No. 950 3 <sup>rd</sup> Ed.
EMI	FCC class A; CE: EN50022 (1987), EN50081-1 (1991), EN50082-1 (1992 & 1994), EN60950-92

<b>Parts Included</b>	
<p>(1) <b>CIA116</b> High-Resolution Video Interface            (1) <b>IN9230</b> IEC Power Cable (U.S. only)            (1) <b>IN9334</b> 3/32" Allen Wrench            (1) <b>IN9339</b> Adjustment Tool with Technician's Blade            (1) <b>IN91252B / IN9252W</b> Mounting Brackets            (2) <b>IN9367D</b> Double Size Blank Plates            (4) #6-1/2" Wood Screws            (1) Operation Manual</p>	

### Required Accessories (Ordered Separately)

#### Input and Local Monitor Adapter and Extension Cables:

**VGA:** IN8000 Series 15-pin HD male to 15-pin HD female, various lengths from 3' to 100'

**For Other Computers:** Refer to the table on page 5

### Optional Accessories

#### Audio Input Cables:

**IN9106:** 3.5mm stereo mini male to 3.5mm stereo mini male, 6' long

**IN9107:** (1) 3.5mm stereo mini male to (2) RCA male, 6' long

#### Installation Hardware:

**IN9253:** Flush-mount brackets - For Mounting CIA116 through Hole in Table Top

**IN9254:** Rack Ears - Rack Mounts Unit in 1 U Rack Space, Rack Ear Holds Up to 4 Additional Single-Space A/V Connector Modules

**IN9255:** Rack Ears - Rack Mounts Unit in 1 U Rack Space

RGB Installation Cables			
Coaxial Cables	3-Conductor	4-Conductor	5-Conductor
Standard Resolution		<b>IN7000-4</b>	<b>IN7000-5</b>
Standard Resolution, Plenum		<b>IN7000P-4</b>	<b>IN7000P-5</b>
Super High Resolution	<b>IN7300-3</b>	<b>IN7300-4</b>	<b>IN7300-5</b>
Super High Resolution, Plenum			<b>IN7400P-5</b>
Ultra High Resolution	<b>IN7200-3</b>	<b>IN7200-5</b>	<b>IN7200-6</b>

All cable grades are available in lengths from 3' to 250' pre-terminated with high quality BNC connectors or as bulk cable.

## Troubleshooting

**Problem:** The display device connected to the CIA116 output has a bad / scrambled image.

- **Solution 1:** Verify that the correct input cable is being used (see the table on page 5).
- **Solution 2:** The display device connected to the output of the interface may not be compatible with the computer output. PC, MAC, SUN and other high-resolution workstations have new and ultra high-resolution modes such as 1600 x 1200 and 1800 x 1440, and can output a video signal with a horizontal scan rate of over 100 KHz! Many data monitors and data projectors are not compatible with these resolutions and frequencies.
- **Solution 3:** Check the dipswitch settings to make sure the unit is putting out a sync format that the display device can use. For most applications, the default dipswitch settings will work best (see page 9). For LCD / DMD / D-ILA / Plasma Display devices, you may have to disable the horizontal position control.
- **Solution 4:** The RGBS or RGBHV cable may have a bad sync line. Try running the sync through another cable.

**Problem: The power LED is on but there is no image on the display device.**

- **Solution:** Check the RGBHV cable connections at the interface output and at the display device input to make sure that the vertical and horizontal sync wires are not reversed.

**Problem: The power switch is turned on, but the front panel power LED is dark.**

- **Solution 1:** Make sure that the **IN9230** IEC power cable is securely plugged into the unit and the A/C source.
- **Solution 2:** Make sure the A/C source is live.
- **Solution 3:** The **CIA116** contains a 0.8A / 250V time delay fuse. To change the fuse, remove the power cable, then slide out the fuse holder (located on the rear panel between the power switch and the IEC cable receptacle) using the **IN9339** adjustment tool

**Problem: The output image is very dark.**

- **Solution:** The **CIA116** horizontal position control may be set off to an extreme setting or may be interacting poorly with the horizontal position control on the display device. Follow the horizontal position adjustment procedure on page 8.

**Problem: The local monitor looks fine but the image on the Data Projector / Data Display is wavy or has vertical bars in the picture.**

- **Solution 1:** Set the interface to RGBHV output.
- **Solution 2:** Disable the horizontal position control.
- **Solution 3:** LCD / DMD displays often have an adjustment called Phase Adjust or Fine Phase Control. This control should be adjusted to provide the best image.

**Problem: The output image is missing a color.**

- **Solution:** Possibly the RGSB or RGBHV cable is bad. Try switching connections on the output to verify that the bad color's cable is OK (*Example:* If there is no red, try running the green output through the red cable and see if the green is displayed or not).

**Problem: The output image is too green.**

- **Solution:** The dipswitch settings may be set for sync on green output and the display device doesn't operate well with that format. Try changing the dipswitches to output an RGSB or RGBHV signal.

**Problem: The horizontal position control is not working.**

- **Solution 1:** Check the dipswitch settings to see if the horizontal position control has been disabled.
- **Solution 2:** The input signal may be RGSB (sync on green). The horizontal position control does not work with RGSB input signals.

If problems persist, call **INLINE** Technical Services at (714) 921-4100 for further assistance.

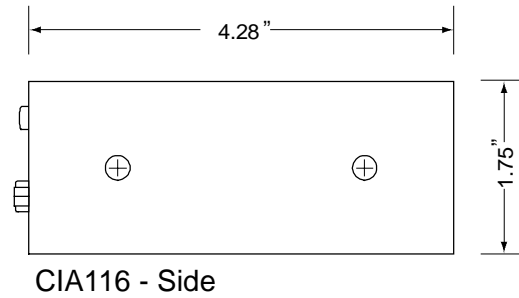
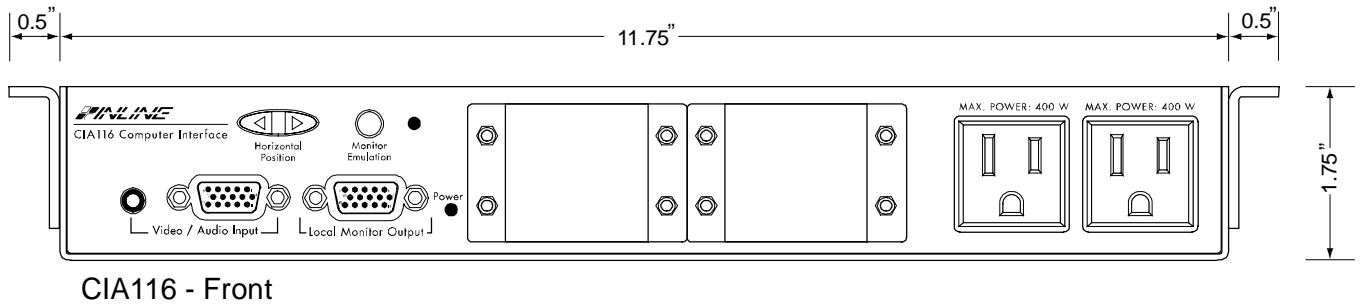
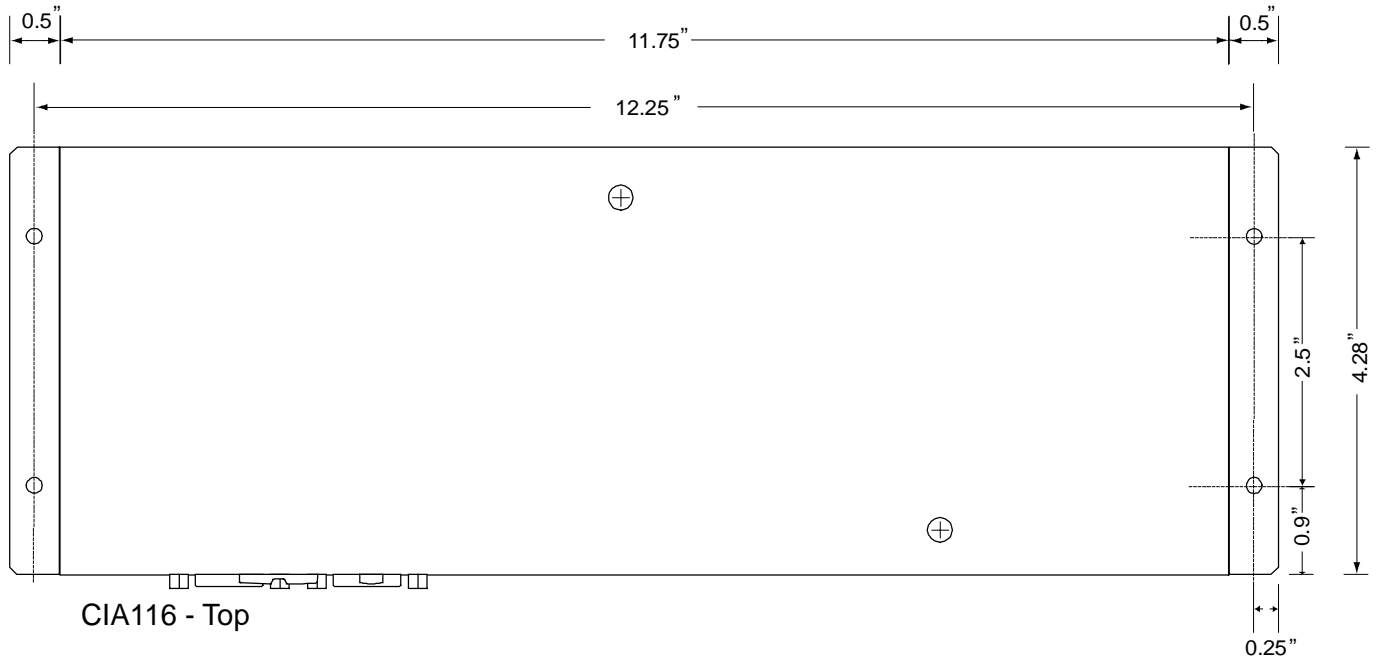
## A/V CONNECTOR MODULES

Connector Module Black / White	Description	Type	Size
<b>Video Modules</b>			
IN9351B / IN9351W	(2) BNC Female	Barrel	Single
IN9352B / IN9352W	(1) 4-Pin Mini DIN Female (S-Video)	Installation	Single
IN9357B / IN9357W	(2) F-Connector Female	Barrel	Single
IN9363B / IN9363W	(1) 4-Pin Mini DIN Female (S-Video) (1) BNC Female Barrel	Barrel	Single
IN9381B / IN9381W	(1) BNC Female	Barrel	Single
IN9382B / IN9382W	(1) F-Connector Female	Barrel	Single
IN9383B / IN9383W	(1) RCA Female - White	Barrel	Single
IN9390B / IN9390W	4-Pin Mini DIN Female (S-Video)	Barrel	Single
IN9468B / IN9468W	(2) 4-Pin Mini DIN Female Barrel (S-Video)	Barrel	Single
<b>Audio Modules</b>			
IN9353B / IN9353W	(2) RCA Female - Red / White	Installation	Single
IN9354B / IN9354W	(2) 1/4" Stereo Phono Female	Installation	Single
IN9355B / IN9355W	(2) 3.5mm Mini Stereo Female	Installation	Single
IN9360B / IN9360W	(1) Contact Closure Switch (Single Pole) with Internal LED (1) 3.5mm Stereo Mini Female	Installation	Single
IN9365DB / IN9365DW	(1) XLR 3-Pin Female (Neutrik)	Installation	Double
IN9373B / IN9373W	(2) RCA Female - Red / White	Barrel	Single
IN9384B / IN9384W	(1) 1/4" Stereo Phono Female	Installation	Single
IN9385B / IN9385W	(1) 3.5mm Mini Stereo Female	Installation	Single
IN9395DB / IN9395DW	(1) XLR 3-Pin Female (Switchcraft)	Installation	Double
IN9398DB / IN9398DW	(1) XLR 3-Pin Male (Cannon)	Installation	Double
IN9450B / IN9450W	(1) Mini XLR 3-Pin Male (Switchcraft)	Installation	Single
IN9451B / IN9451W	(2) Mini XLR 3-Pin Male (Switchcraft)	Installation	Single
IN9456B / IN9456W	(2) RCA Female - Red / White	Quick Connect	Single
IN9457B / IN9457W	(2) 3.5mm Mini Stereo Female	Quick Connect	Single
IN9458B / IN9458W	(1) 3.5mm Mini Stereo Female	Quick Connect	Single
IN9459B / IN9459W	(1) 1/4" Stereo Phono Female	Quick Connect	Single
IN9460B / IN9460W	(1) Contact Closure Switch (Single Pole) with External LED (1) 3.5mm Mini Stereo Female	Quick Connect	Single
IN9463B / IN9463W	(1) Mini XLR 3-Pin Male (Switchcraft)	Quick Connect	Single
IN9473DB / IN9473DW	(1) 4-Pole Speakon Male (Neutrik)	Installation	Double
<b>Audio / Video Modules</b>			
IN9372DB / IN9372DW	A/V Super Module: (2) RCA Female - Audio: Red / White (1) RCA Female - Video: Yellow (1) 4-Pin Mini DIN Female - S-Video	Installation	Double
IN9376DB / IN9376DW	A/V Super Module: (2) RCA Female - Audio: Red / White (1) RCA Female - Video: Yellow (1) 4-Pin Mini DIN Female - S-Video	Barrel	Double
IN9377DB / IN9377DW	(2) RCA Female - Audio: Red / White (1) RCA Female - Video: Yellow	Installation	Double
IN9386B / IN9386W	(1) BNC Male (2) 3.5mm Stereo Mini Female	BNC: Barrel 3.5mm Mini: Installation	Single
IN9387B / IN9387W	(1) 4-Pin Mini DIN Female - S-Video (1) 3.5mm Stereo Mini Female	Installation	Single
IN9388B / IN9388W	(1) RCA Female - Video: Yellow (1) 3.5mm Stereo Mini Female	Installation	Single
IN9461DB / IN9461DW	A/V Super Module: (2) RCA Female - Audio: Red / White (1) RCA Female - Video: Yellow (1) 4-Pin Mini DIN Female - S-Video	Quick Connect	Double
IN9462DB / IN9462DW	(2) RCA Female - Audio: Red / White (1) RCA Female - Video: Yellow	Quick Connect	Double
IN9469B / IN9469W	(2) RCA Female - Audio: Red / White (1) RCA Female - Video: Yellow	Installation	Single

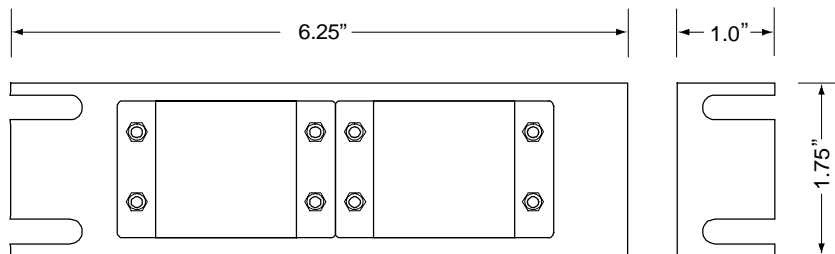
Connector Module Black / White	Description	Type	Size
<b>Control / Computer Modules</b>			
IN9356B / IN9356W	(1) 5-Pin Captive Screw Terminal	Installation	Single
IN9360B / IN9360W	(1) Contact Closure Switch (Momentary - Single Pole with LED) (1) 3.5mm Stereo Mini Female	Installation	Single
IN9361B / IN9361W	(1) 15-Pin HD Female	Barrel	Single
IN9362B / IN9362W	(1) 15-Pin HD Male	Barrel	Single
IN9364DB / IN9364DW	(1) XLR 4-Pin Female (Neutrik)	Installation	Double
IN9366DB / IN9366DW	(1) XLR 6-Pin Female (Neutrik)	Installation	Double
IN9374B / IN9374W	(1) 9-Pin D Female	Barrel	Single
IN9375B / IN9375W	(2) 6-Pin Mini DIN Female - Keyboard / Mouse	Barrel	Single
IN9378B / IN9378W	(1) 9-Pin D Male	Barrel	Single
IN9379B / IN9379W	(1) 6-Pin Mini DIN Female - Keyboard / Mouse	Installation	Single
IN9389B / IN9389W	(1) 6-Pin Mini DIN Female - Keyboard / Mouse	Barrel	Single
IN9391DB / IN9391DW	(1) XLR 5-Pin Female (Neutrik)	Installation	Double
IN9394DB / IN9394DW	(1) XLR 4-Pin Female (Switchcraft)	Installation	Double
IN9396DB / IN9396DW	(1) XLR 6-Pin Female (Switchcraft)	Installation	Double
IN9397DB / IN9397DW	(1) XLR 7-Pin Female (Switchcraft)	Installation	Double
IN9399B / IN9399W	(1) Mini XLR 6-Pin Male (Switchcraft)	Installation	Single
IN9452B / IN9452W	(1) Mini XLR 4-Pin Male (Switchcraft)	Installation	Single
IN9460B / IN9460W	(1) Contact Closure Switch (Momentary - Single Pole with LED) (1) 3.5mm Stereo Mini Female	Quick Connect	Single
IN9464B / IN9464W	(1) Mini XLR 4-Pin Male (Switchcraft)	Quick Connect	Single
IN9465B / IN9465W	(1) Rocker Switch (Latching - Single Pole), Max Voltage: 10A / 125VAC, 6A / 250VAC Approvals: UL / CSA	Installation	Single
IN9466B / IN9466W	(2) 6-Pin Mini DIN Female - Keyboard / Mouse	Installation	Single
IN9467B / IN9467W	(1) USB Connector	Quick Connect	Single
IN9470B / IN9470W	(1) Switch with Integral LED (Latching, Single Pole, Single Throw) Max. Voltage: 5A / 125VAC, 3A / 250VAC Approvals: CSA	Installation	Single
IN9471B / IN9471W	(1) Switch (Latching, Single Pole, Double Throw) Max. Voltage: 15A / 125VAC, 10A / 250VAC, 10A / 28VDC Approvals: CSA	Installation	Single
IN9472DB / IN9472DW	(1) Switch (Latching, Double Pole, Double Throw) Max. Voltage: 15A / 125VAC, 10A / 250VAC, 10A / 28VDC Approvals: CSA	Installation	Double
<b>Data / Phone Modules</b>			
IN9358B / IN9358W	(1) RJ11 Female - Phone	Installation	Single
IN9358DB / IN9358DW	(1) RJ11 Female - Phone	Installation	Double
IN9359B / IN9359W	(1) RJ45 Female - Data	Installation	Single
IN9359DB / IN9359DW	(1) RJ45 Female - Data	Installation	Double
IN9453B / IN9453W	(1) RJ11 Female - Phone	Barrel	Single
IN9453DB / IN9453DW	(1) RJ11 Female - Phone	Barrel	Double
IN9454B / IN9454W	(1) RJ45 Female - Data	Barrel	Single
IN9454DB / IN9454DW	(1) RJ45 Female - Data	Barrel	Double
<b>Blank Plate</b>			
IN9350B / IN9350W	Blank Plate - Single		Single
IN9367DB / IN9367DW	Blank Plate - Double		Double
IN9368TB / IN9368TW	Blank Plate - Triple		Triple
IN9369QB / IN9369QW	Blank Plate - Quad		Quad
IN9474QB / IN9474QW	(1) Grommet - 1" ID		Quad



### CIA116 DIMENSIONS



### Optional Rack Mounting Brackets



## Warranty

- ◆ INLINE warrants the equipment it manufactures to be free from defects in materials and workmanship.
- ◆ If equipment fails because of such defects and INLINE is notified within two (2) years from the date of shipment, INLINE will, at its option, repair or replace the equipment at its plant, provided that the equipment has not been subjected to mechanical, electrical or other abuse or modifications.
- ◆ Equipment that fails under conditions other than those covered will be repaired at the current price of parts and labor in effect at the time of repair. Such repairs are warranted for ninety (90) days from the day of re-shipment to the Buyer.
- ◆ **This warranty is in lieu of all other warranties expressed or implied, including without limitation, any implied warranty or merchantability or fitness for any particular purpose, all of which are expressly disclaimed.**

The information in this manual has been carefully checked and is believed to be accurate. However, INLINE, Inc. assumes no responsibility for any inaccuracies that may be contained in this manual. In no event will INLINE, Inc. be liable for direct, indirect, special, incidental, or consequential damages resulting from any defect or omission in this manual, even if advised of the possibility of such damages. The technical information contained herein regarding **CIA116** features and specifications is subject to change without notice.

Apple, Mac and Macintosh are registered trademarks of Apple Computer, Inc. Sun, Sun Microsystems, and the Sun Logo are trademarks or registered trademarks of Sun Microsystems, Inc. in the United States and other countries. SGI is a trademark of Silicon Graphics, Inc. All other trademarks and registered trademarks are the property of their respective companies.

All Rights Reserved © Copyright 2001

© INLINE, INC. ◆ 810 West Taft ◆ Orange, CA 92865

(800) 882-7117 ◆ (714) 450-1800 ◆ FAX (714) 450-1850 ◆ [www.inlineinc.com](http://www.inlineinc.com)