

CCR 204 4-User Contact Closure Control Panel CCR 306 6-User Contact Closure Control Panel Installation Instructions

About the Contact Closure Control Panels

The control panels can be part of a collaborative learning system. A collaborative learning system is a collection of standard Extron products, tailored with one or more CCR contact closure control panels and Cable Cubby cable pass-through architectural adapter plates (AAPs), to create a system for multiple users in a learning environment:

Custom engraving is available at additional charge for the CCR panels. Please visit the Extron Web site, www.extron.com, for the custom engraving form.

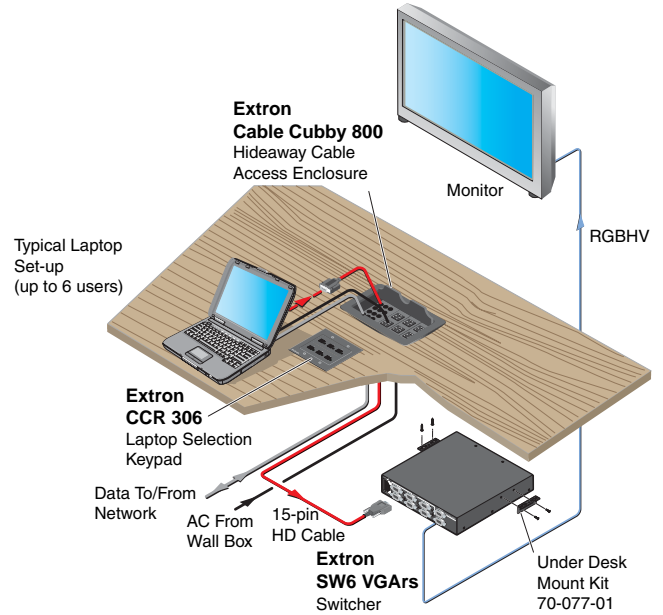


Figure 1 — Typical collaborative learning system



Extron Electronics, USA
1230 South Lewis Street
Anaheim, CA 92805
USA
714.491.1500
Fax 714.491.1517

Extron Electronics, Europe
Beeldschermweg 6C
3821 AH Amersfoort
The Netherlands
+31.33.453.4040
Fax +31.33.453.4050

Extron Electronics, Asia
135 Joo Seng Road, #04-01
PM Industrial Building
Singapore 368363
+65.6383.4400
Fax +65.6383.4664

Extron Electronics, Japan
Kyodo Building
16 Ichibancho
Chiyoda-ku, Tokyo 102-0082 Japan
+81.3.3511.7655
Fax +81.3.3511.7656

68-1203-01
Rev. B 11 05

Connecting the Control Panel

Figure 2 shows how to make connections between a 4-input switcher and a CCR 204 control panel.

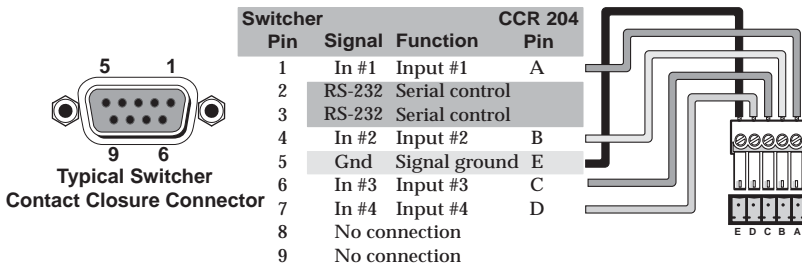


Figure 2 — 4-input system connections

Figure 3 shows how to make connections between a 6-input switcher and a CCR 306 control panel.

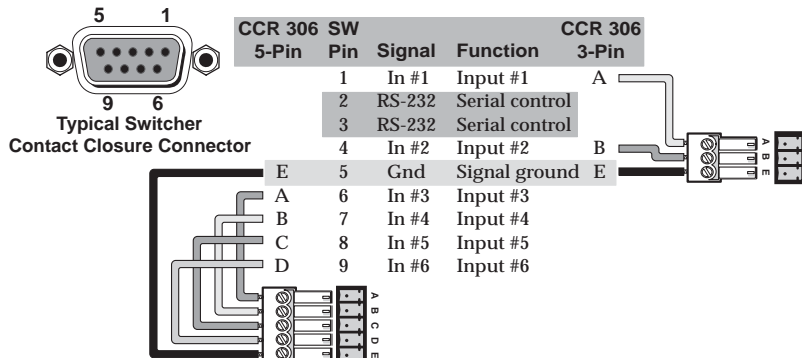


Figure 3 — 6-input system connections

Installing the Control Panel

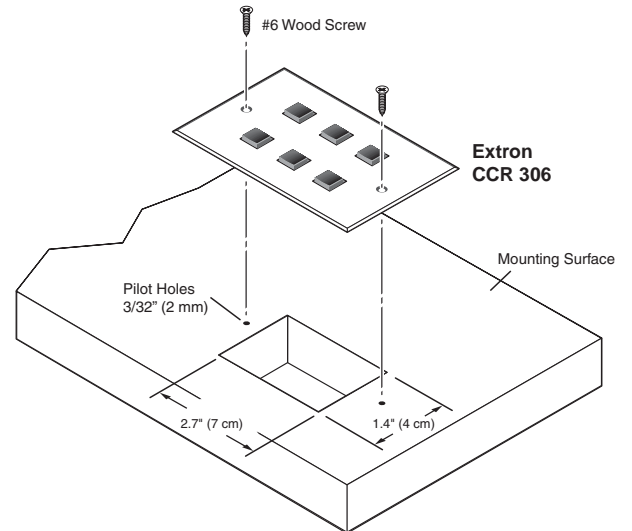


Figure 4 — Installing the control panel