

**IMPORTANT:**  
Go to [www.extron.com](http://www.extron.com) for the complete user guide, installation instructions, and specifications before connecting the product to the power source.

## Recommended Junction Boxes for In-wall Installation of Extron Products

This reference guide lists US-standard junction boxes and plaster rings that can be used to mount Extron products within a wall.

**ATTENTION:**

- Do not install the equipment in a fire resistant rated wall or partition assembly.
- Ne pas installer l'équipement dans un mur résistant au feu ou une cloison.
- All structural steps and electrical installation must be performed by qualified personnel in accordance with local and national building codes and electrical codes.
- Toute étape structurelle et installation électrique, doit être effectuée par un personnel qualifié, conformément aux codes du bâtiment, aux codes incendie et sécurité, et aux codes électriques, locaux et nationaux.

### In-wall Boxes

Check the specification of each product to verify the total depth requirement for installation.

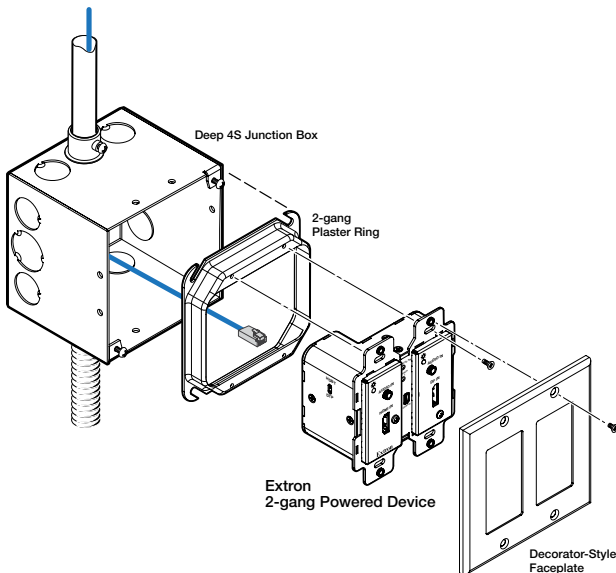
<b>Raco 4S junction box, 3-1/2" deep (part number 256) or equivalent</b>	Recommended for most Extron products. Ensure this box fits inside the wall cavity.
<b>Raco 4S junction box, 2-1/8" deep (part number 232) Extron JB 125/225 boxes or equivalent</b>	Recommended for shallow products only and where there is in-wall space limitations.
<b>Extron MR Series mud rings</b>	Ideal for retrofit applications and where building code allows.

Refer to [www.extron.com](http://www.extron.com) for installation instructions of Extron JB Series junction boxes and Extron MR Series mud rings.

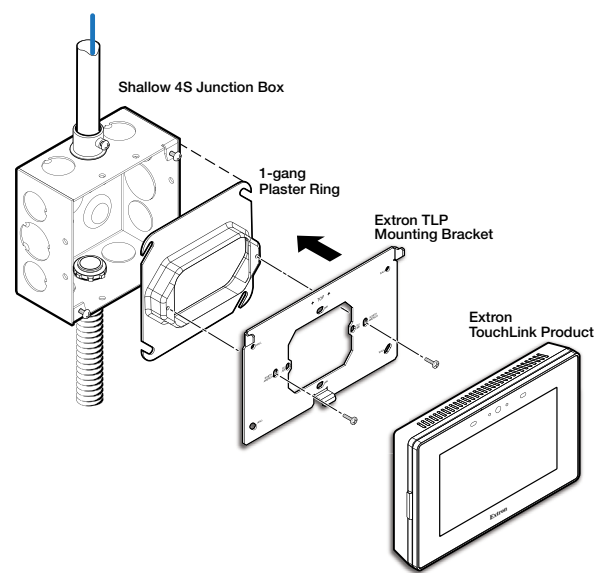
### Plaster Rings for Raco 4S Junction Boxes

The recommended Raco 4S junction boxes must use a plaster ring that is appropriate for the drywall thickness and width of product being installed. The product cannot mount directly to the Raco 4S junction box without the plaster ring.

<b>Raco 4S plaster ring, 1-gang, 5/8" raised (part# 768) or equivalent</b>	Use with 5/8" wall thicknesses
<b>Raco 4S plaster ring, 2-gang, 5/8" raised (part# 769) or equivalent</b>	Use with 5/8" wall thicknesses
<b>Raco 4S plaster ring, 1-gang, 1/2" raised (part# 772) or equivalent</b>	Use with 1/2" wall thicknesses
<b>Raco 4S plaster ring, 2-gang, 1/2" raised (part# 778) or equivalent</b>	Use with 1/2" wall thicknesses



**Figure 1. Mounting Vertically into Junction Box and 2-gang Plaster Ring**



**Figure 2. Mounting Horizontally to Junction Box and 1-gang Plaster Ring**

For information on safety guidelines, regulatory compliances, EMI/EMF compatibility, accessibility, and related topics, see the [Extron Safety and Regulatory Compliance Guide](#) on the Extron website.