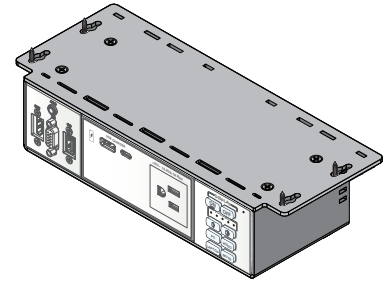


Cable Cubby F55 UT Enclosure • Setup Guide

IMPORTANT:
Go to www.extron.com for the product specifications.

This guide contains installation instructions for the Cable Cubby F55 UT, an under-table enclosure compatible with optional Extron cable retractor, AV, control and power modules. This compact design allows users convenient accessibility from below the desk or table surface.

NOTE: For a complete and up-to-date list of compatible modules, see the product page at www.extron.com.



Planning




Check local and state regulations before starting the installation:

- Ensure that the planned installation complies with building and electrical codes.
- Ensure that the planned installation complies with the Americans with Disabilities Act or other accessibility requirements.

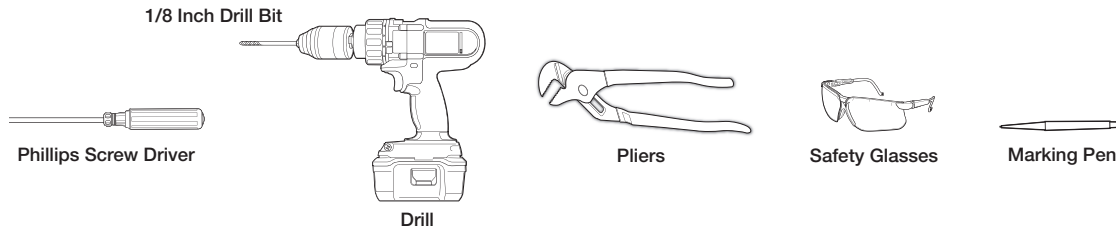
Check all parts and equipment before installation:

- Ensure that all parts are present in each kit.
- Ensure that necessary tools and equipment are available for the installation.

Kit Contents

Cable Cubby F55 UT		
#8 - 1/2 inch pan-head wood screws		4
7.5 inch Cable tie-wraps		4
Pry tools		2

Tools Required for Installation



Cable Cubby F55 UT • Setup Guide (Continued)

Application Diagram

The application diagram below shows an HDMI wiring setup from a laptop to a conference monitor, made simple by a Flex55 SuperPlate 103 module installed in the Extron Cable Cubby F55 UT enclosure.

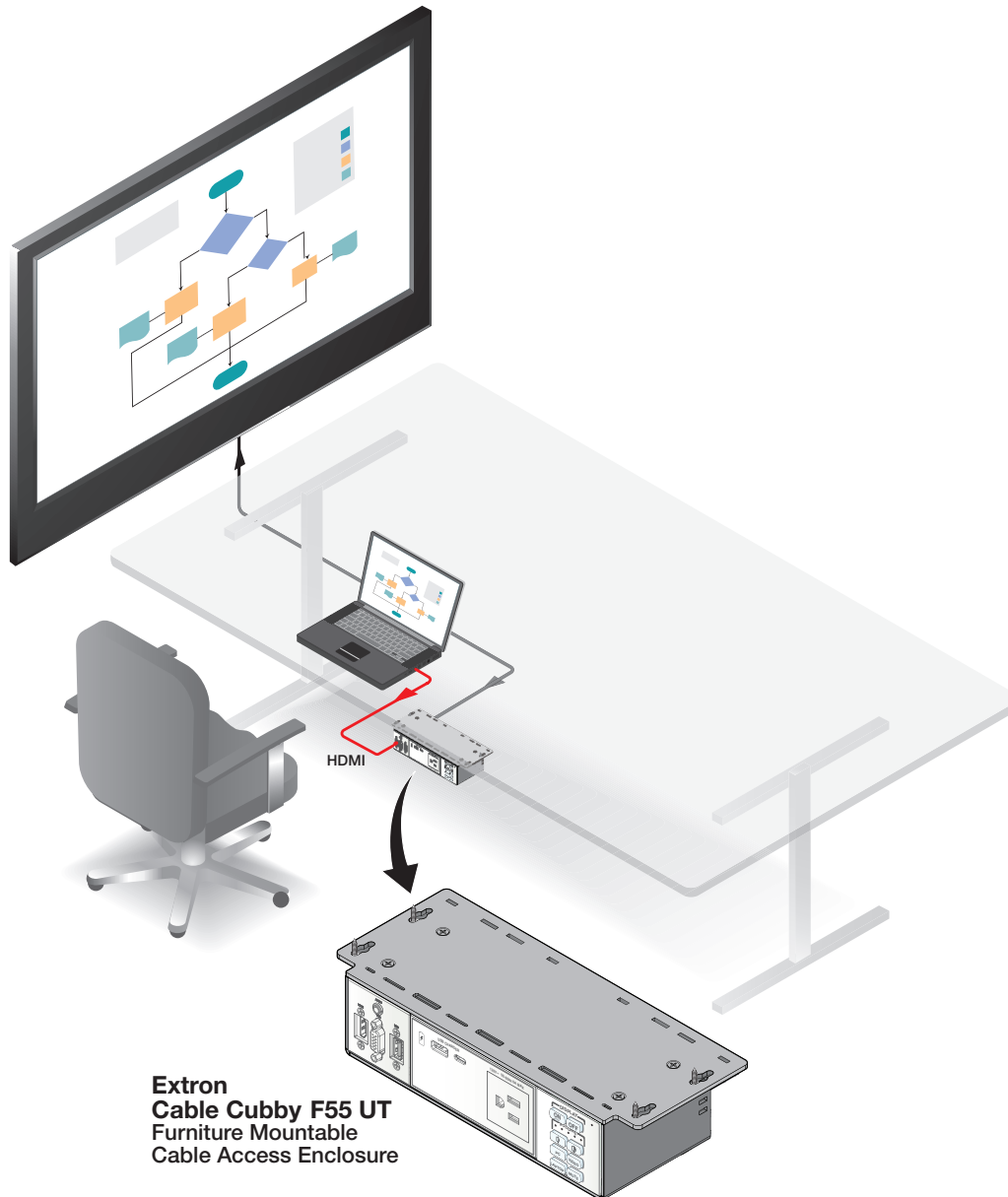


Figure 1. Extron F55 UT Wiring Application Diagram

Preparing the Cable Cubby F55 UT

The Cable Cubby F55 UT enclosure supports Flex55 and EU modules, which can be installed in a variety of combinations (see the illustration below). These modules can be installed either before or after the F55 UT installation. Note that optional Retractor modules can only be installed (with the appropriate brackets, sold separately) in the left and right ends of the enclosure. Detailed retractor installation instructions are available with the Retractor bracket kit and on the Extron website.

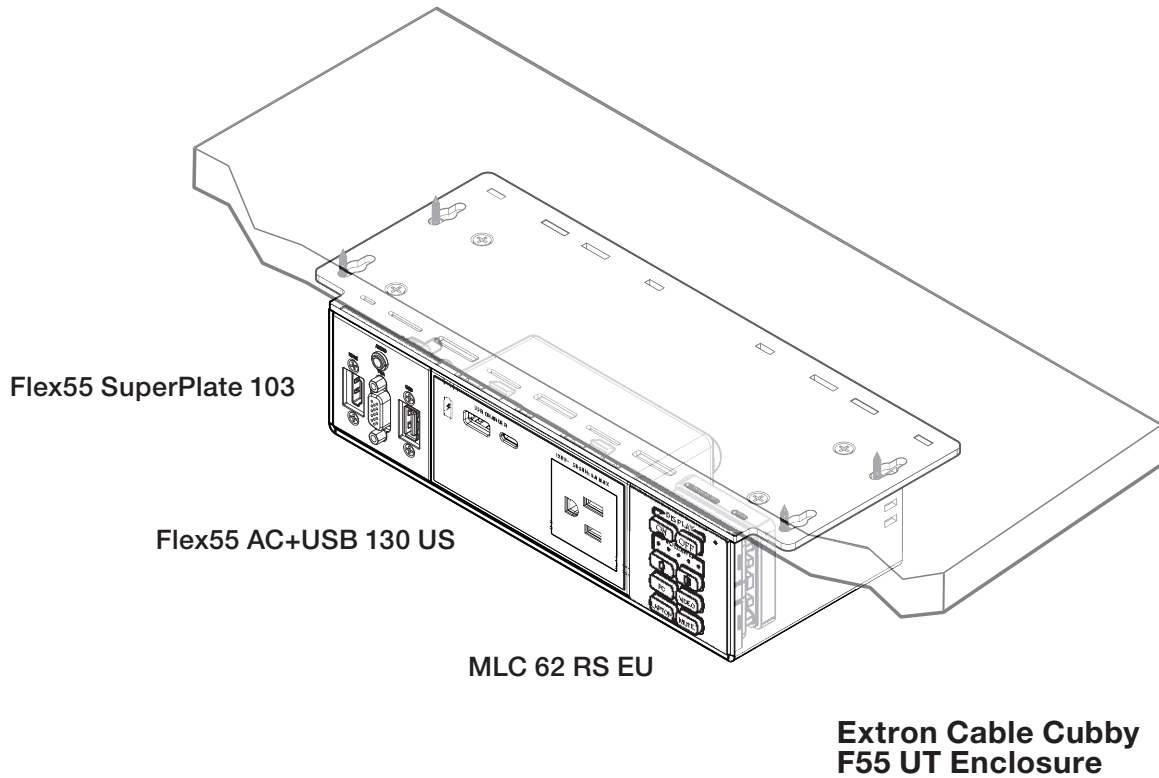


Figure 2. Cable Cubby F55 UT with AV, control, and power modules

NOTE: For a complete and up-to-date list of compatible modules, see the product page at www.extron.com.

Cable Cubby F55 UT • Setup Guide (Continued)

Installing Modules into the Cable Cubby F55 UT

The following illustration shows the process for installing the double-size Flex55 AC+USB 130 US Power Module into the Cable Cubby F55 UT enclosure. Note that half- and full-size modules can be snapped into the enclosure without removing the supports (1).

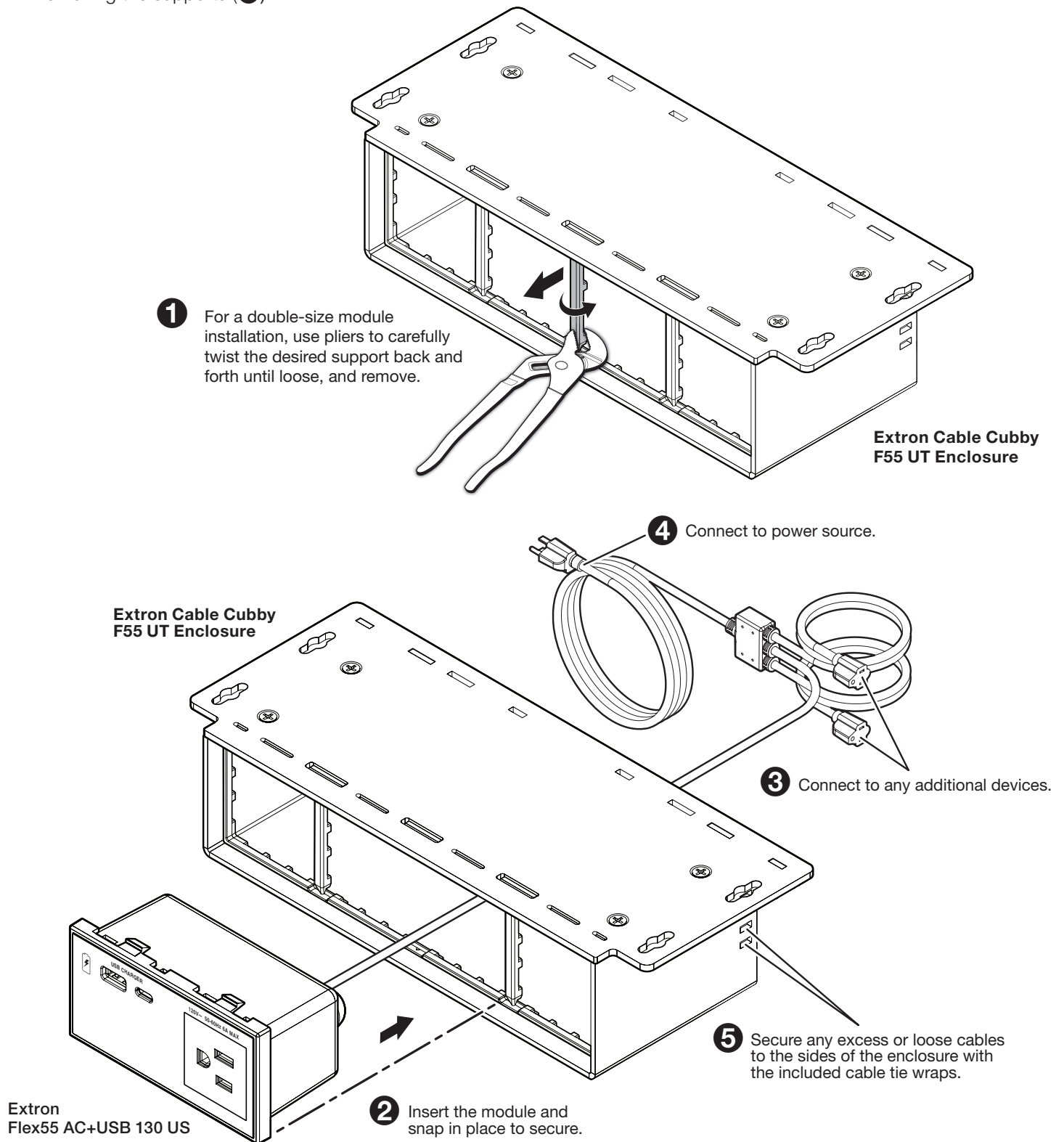


Figure 3. Installing the Flex55 AC+USB 130 US

Preparing the Table

Download and print the Cable Cubby F55 UT mounting template from the Extron website. Make sure that the template dimensions are to scale. Position the template over the intended mounting surface location, secure with tape, and mark the center of the holes where the mounting slots will be positioned. Alternatively, hold the Cable Cubby enclosure against the intended mounting surface and mark where the holes will be positioned. Keep in mind that the enclosure will shift approximately 3/16 inch (4.76 mm) forward or backward from the marked screw positions (see figure 5, ③ on page 6) during the mounting process.

ATTENTION: Make sure that the mounting template is printed to scale. Failure to do so may result in damaged furniture and a failed installation.

NOTE: The diagram below is NOT to scale. Dimensions and templates are available online at www.extron.com.

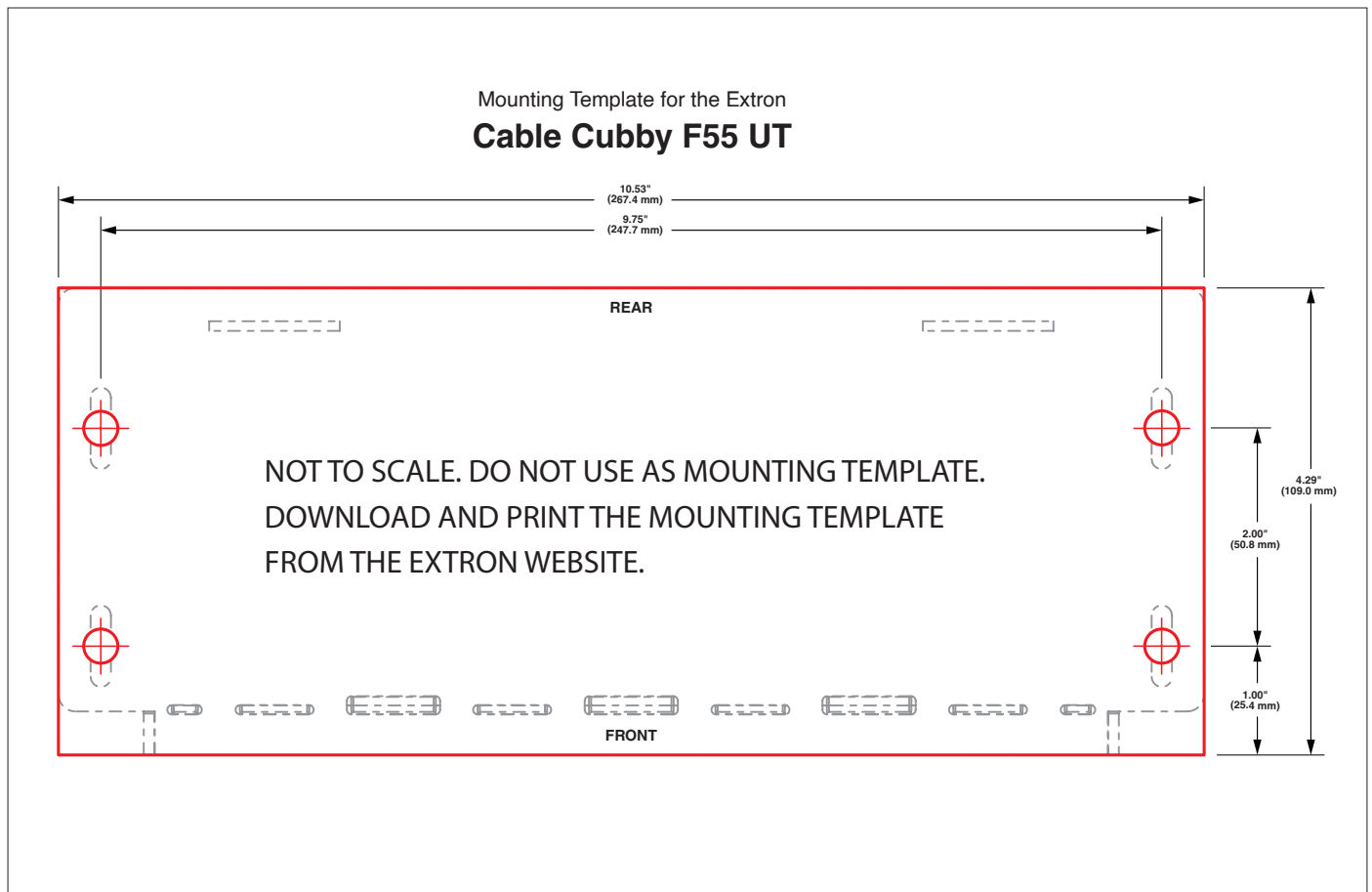


Figure 4. Cable Cubby F55 UT Mounting Template Sample (NOT TO SCALE)

Cable Cubby F55 UT • Setup Guide (Continued)

Mounting the Cable Cubby F55 UT

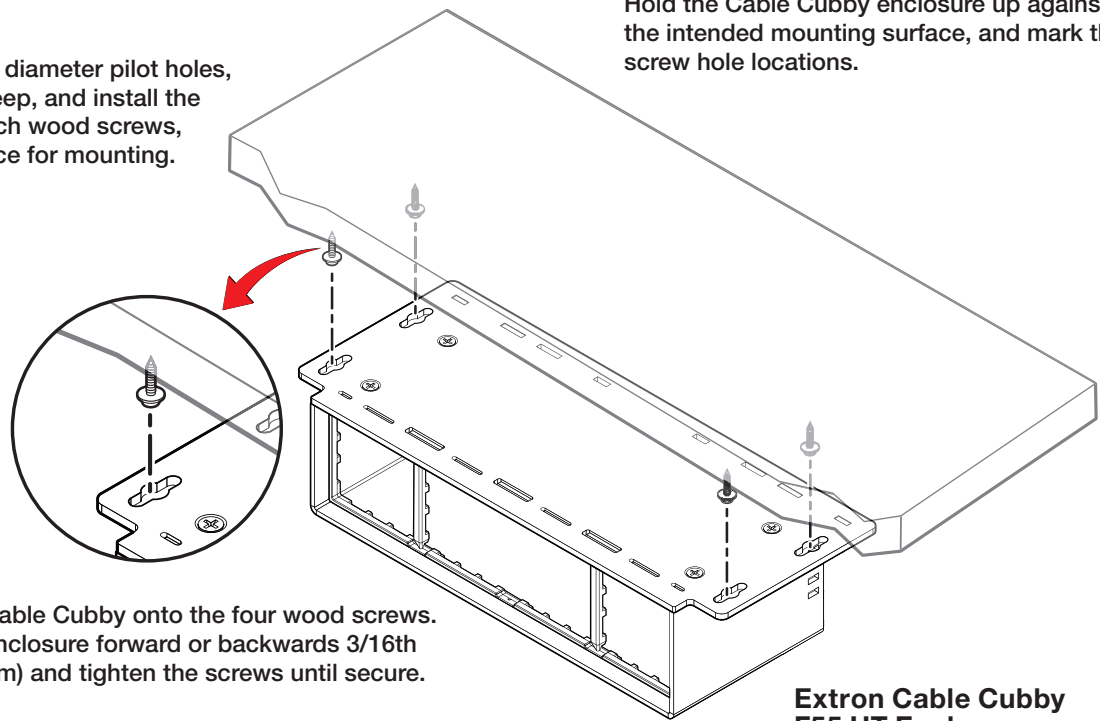
NOTE: Take care not to drill through the table. If the table is too thin or of a different material than intended for the supplied #8 - 1/2 inch L wood screws, use an appropriate alternative.

2

Drill 1/8 inch (3 mm) diameter pilot holes, 3/8 inch (9.5 mm) deep, and install the included #8 x 1/2 inch wood screws, leaving enough space for mounting.

1

Hold the Cable Cubby enclosure up against the intended mounting surface, and mark the screw hole locations.



3

Mount the Cable Cubby onto the four wood screws. Adjust the enclosure forward or backwards 3/16th inch (4.76 mm) and tighten the screws until secure.

**Extron Cable Cubby
F55 UT Enclosure**

Figure 5. Mounting the Cable Cubby F55 UT

NOTE: Ensure the wood screws are engaged into the wood and fully seated against the mounting brackets.

Appendix - Removing Modules from the Cable Cubby F55 UT

If the modules need to be replaced or removed from the Cable Cubby F55 UT enclosure, the following diagram shows the process for removing modules with the provided pry tool. This process applies to any compatible Flex55 and EU module.

NOTE: To verify the location of the locking tabs, check the module specifications (available at www.extron.com).

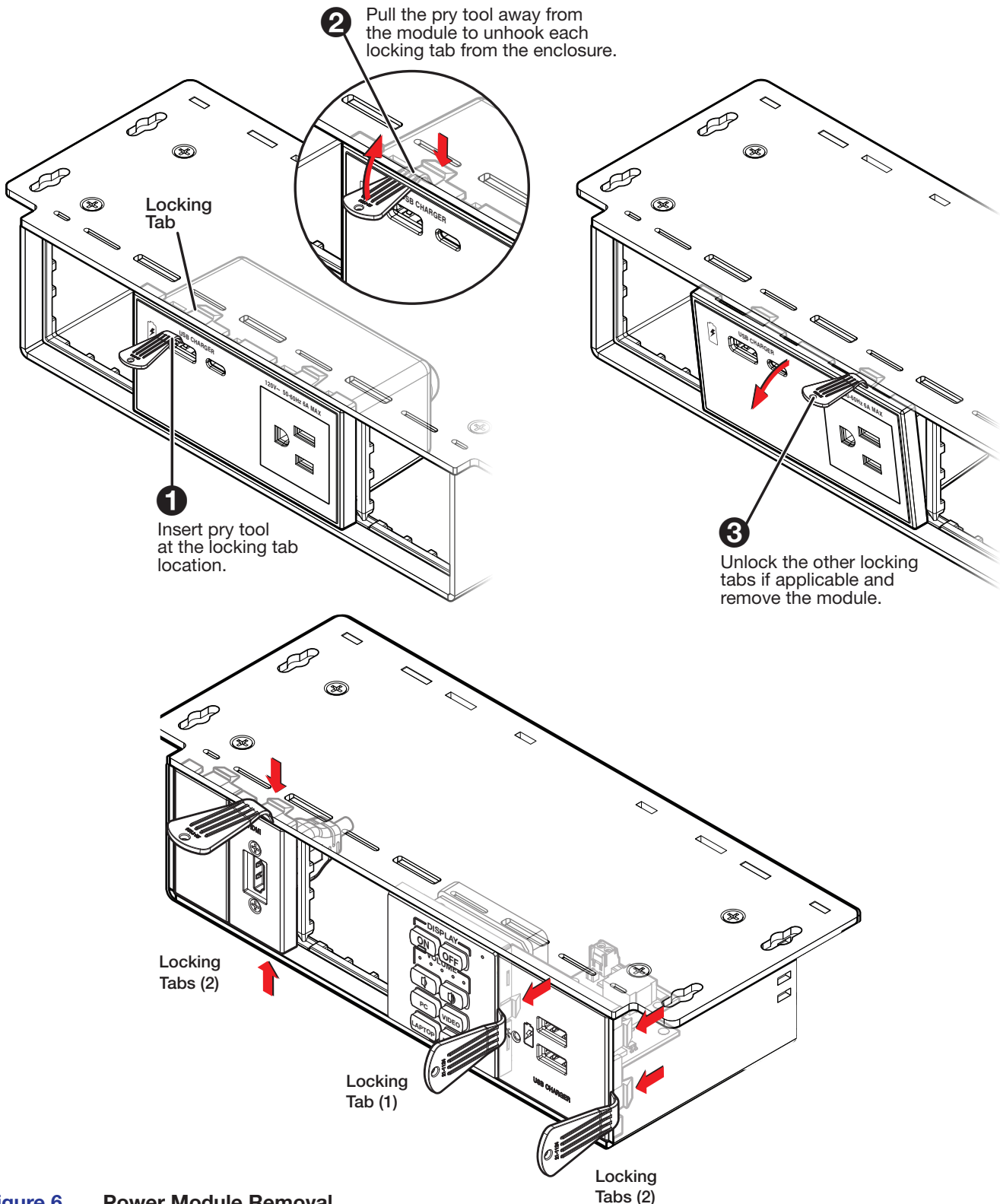


Figure 6. Power Module Removal

Installation Checklist

Planning (see page 1)

- Check with local and state regulations before starting the installation
- Check all parts and equipment before installation

Preparing the Cable Cubby F55 UT (see page 3)

- Check modules for adaptability and installation requirements

Installing Modules into the Cable Cubby F55 UT (see page 4)

- Install half-, single-, and double-size modules into the Cable Cubby F55 UT
- Remove any supports if necessary
- Use tie wraps to manage cables to the enclosure

Preparing the Table (see page 5)

- Determine the best location for the Cable Cubby F55 UT
- Pre-drill mounting holes for the Cable Cubby F55 UT

Mounting the Cable Cubby F55 UT (see page 6)

- Install screws and hang the Cable Cubby F55 UT under the table
- Secure the Cable Cubby F55 UT

Removing Modules from the Cable Cubby F55 UT (see page 7)

- If needed, remove modules from the Cable Cubby F55 UT with the provided pry tool

For information on safety guidelines, regulatory compliances, EMI/EMF compatibility, accessibility, and related topics, see the [Extron Safety and Regulatory Compliance Guide](#) on the Extron website.