

IMPORTANT:
Go to www.extron.com for the complete user guide and installation instructions before connecting the product to the power source.

Overview

The Extron TLI Pro 201 is a TouchLink® Interface scaler that integrates a third-party touchscreen display as a point of control within an Extron Pro series control system. The scaled output supports resolutions up to 4K @ 30 Hz.

This guide provides instructions for experienced installers to mount and install the TLI Pro 201 and to create a basic configuration. For more complete instructions, see the *TLI Pro 201 User Guide*, at www.extron.com.

Setup Checklist

Get Ready

- Download and install the latest version of the following software:
 - Toolbelt** — Provides device discovery, device information, firmware updates, and configuration of network settings, system utilities, and user management for TouchLink Pro devices.
 - GUI Designer** — For designing layouts for third party touchpanel interfaces.
 - Global Configurator® Professional and Global Configurator Plus** — For setting up and configuring the control processor and interface.
 - Global Scripter®** — Provides an integrated development environment for Extron control systems programming.

NOTE: All four software programs are available from www.extron.com.

- Obtain the following network information from your network administrator:
 - DHCP status** — (on or off). If DHCP is off, you must also obtain:
 - IP address**
 - Subnet mask**
 - Gateway**
 - Username** — These must be either admin or user.
 - Password** — The factory configured passwords for all accounts on this device have been set to the device serial number. Passwords can be changed during configuration. They are case sensitive.

NOTE: If the device is reset to default settings, the passwords are reset to the default password, which is extron (for either admin or user).

- Make a note of the MAC address for the TLI Pro 201, which can be found on the rear panel label.

Mount and Cable All Devices

- Mount the units. Place the TLI Pro 201 on a convenient surface, mount it in a standard rack, or use an under-table mounting kit (see the *TLI Pro 201 User Guide*, at www.extron.com). To mount the third-party touchscreen follow the instructions provided by the manufacturer.
- Connect cables to the TLI Pro 201 (see [Rear Panel Connectors and Features](#) on the next page).
 - Connect the required HDMI source to the HDMI input of the TLI Pro 201.
 - Connect the HDMI output from the TLI Pro 201 to the third-party touchpanel.
 - Connect the USB port from the TLI Pro 201 to the third-party touchpanel.

NOTE: The USB connection passes information to the TLI Pro 201 about where on the screen the touchpanel was pressed. If you are using a non-touch display, connect a USB mouse to the USB port on the TLI Pro 201 to click the screen icons.

- Connect the Ethernet cable. The TLI Pro 201 must be powered by Power over Ethernet Plus (PoE+).

ATTENTION:

- Do not power on the TLI Pro 201 until you have read the Attention in the Rear Panel Features section of the *TLI Pro 201 User Guide*.
- Ne branchez pas le TLI Pro 201 avant d'avoir lu la mise en garde dans la section « Rear Panel Features » du *TLI Pro 201 User Guide*.

TLI Pro 201 • Setup Guide (Continued)

Set up the TLI Pro 201 for Network Communication

- Connect the PC that you are using for setup **on the same Ethernet subnetwork** as the TLI Pro 201. You must also connect a control processor to the same subnetwork.
- Use the **Setup Menu** (see page 4) or Toolbelt to set the DHCP status and, if necessary, the IP address, subnet mask, gateway, and related settings for the network interface. For information about accessing the the Setup menu see **Menu button** on the following page.

Configure the User Interface

The *GUI Designer Help File*, *Global Configurator Plus and Professional Help File*, *Global Scriptor Help File*, and *Toolbelt Help File* provide step-by-step instructions and detailed information. The *Global Configurator Help File* includes an introduction to the software and sections on how to start a project and configuration.

Global Scriptor provides an Extron-exclusive Python library (ControlScript®) and Global Scriptor modules to get you started.

Rear Panel Connectors and Features

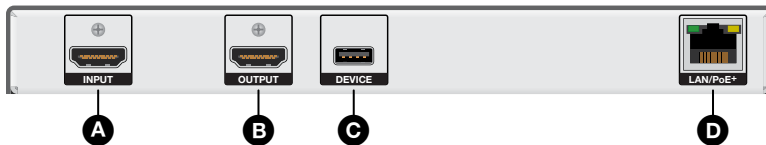


Figure 1. TLI Pro 201 Rear Panel

A HDMI input — Use an HDMI cable to connect the input source device to this HDMI type A port. Secure the HDMI connector with the provided LockIt HDMI lacing bracket by following these instructions:

1. Plug the source HDMI cable into this input port (1).
2. Loosen the HDMI connection mounting screw from the TLI Pro 201 rear panel enough to allow the LockIt lacing bracket to be placed over it (2). The screw does not have to be removed.
3. Place the LockIt lacing bracket on the screw and against the HDMI connector (3), then tighten the screw to secure the bracket.

ATTENTION:

- Do not overtighten the HDMI connection mounting screw. The shield it fastens to is very thin and can easily be stripped.
- Ne serrez pas trop la vis de montage du connecteur HDMI. Le blindage auquel elle est attachée est très fin et peut facilement être dénudé.

4. Loosely place the included tie wrap around the HDMI connector and the LockIt lacing bracket (4).
5. While holding the connector securely against the lacing bracket, tighten the tie wrap, then remove any excess length (5).

B HDMI output — Connect this HDMI type A port to a third-party touchscreen. A full list of compatible resolutions is provided in the *TLI Pro 201 User Guide*.

For the TLI Pro 201 to work with your touchscreen display, you must load the correct embedded HID module onto the TLI Pro 201 (see the *TLI Pro 201 User Guide*).

Use the provided LockIt brackets to secure the connector to the TLI Pro 201 unit (see HDMI input, above).

C DEVICE port — Supports High-speed USB 2.0 control. Plug a Type-A USB cable from the third-party touchpanel into this port.

NOTE: If using a non-touch display, connect a USB mouse to the USB port on the TLI Pro 201 to click screen icons.

D LAN and PoE+ port — Use an Ethernet cable to connect this port to the network via a PoE+ power sourcing equipment (PSE, not provided). This can be a power injector (see **figure 3**, on the next page) or PoE+ switch.

NOTE: The TLI Pro 201 does not include any PoE+ power sourcing equipment. This must be purchased separately.

ATTENTION:

- The TLI Pro 201 is Power over Ethernet Plus (PoE+ 803.3at, class 4) compliant. Do not connect the power supply before reading the Attention in the Rear Panel Features section of the *TLI Pro 201 User Guide*.
- Le TLI Pro 201 support l'alimentation via Ethernet Plus (PoE+ 803.3at, classe 4). Veuillez lire la partie « Attention » dans la section « Rear Panel Features » du *TLI Pro 201 User Guide*, avant de mettre sous tension les écrans tactiles.

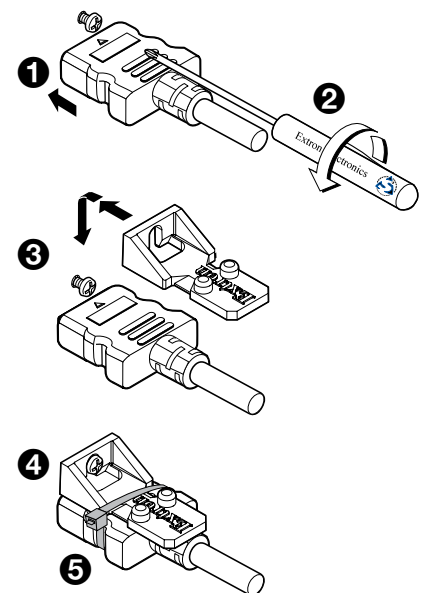


Figure 2. Securing the HDMI Connector

Connecting the PoE+ Power Injector

Extron recommends the Extron PI 140 power injector (see figure 3). Your power injector may look different.

1. Use an Ethernet cable to connect the LAN/PoE+ port of the TLI Pro 201 to the power output of the 803.3at, class 4 compliant PoE+ power injector.
2. Connect the network input of the power injector to a network switch or router.

Alternatively, use an Ethernet cable to connect the LAN/PoE+ port of the interface to a PoE+ switch.

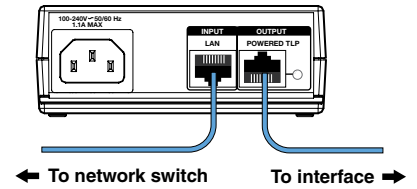


Figure 3. PI 140 Power Injector

Front Panel Features

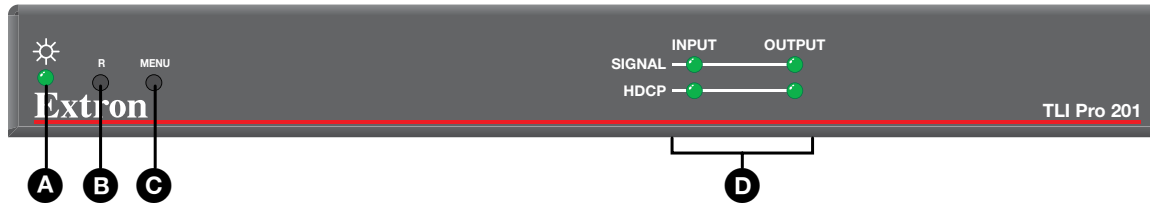


Figure 4. TLI Pro 201 Front Panel

- A Power LED** — Indicates the power status and the reset status of the unit (see [Reset Modes](#) on page 4).
- B Reset button** (recessed) — Allows the unit to be reset in any of three different modes. It also allows the user to toggle between enabling and disabling the DHCP client. A brief summary of the [Reset Modes](#) is given on the next page. For more information see the *TLI Pro 201 User Guide*.
- C Menu button** (recessed) — Opens the [Setup Menu](#) (see the next page) and Calibration screen for the TLI Pro 201:
 - Setup Menu**
 1. Press the button briefly (less than 3 seconds). The internal menu is displayed on the connected display.
 2. Press the button briefly for a second time to exit the setup menu.
 - Calibration Screen**
 1. Press and hold the button (3 seconds or more). The calibration screen is displayed on the connected display. Follow the on-screen instructions to calibrate the touchpanel.
 2. Complete the calibration process or press the button briefly (less than 2 seconds) for a second time to exit the Calibration screen.
- D Status LEDs** —
 - The SIGNAL LEDs light green when a video signal is detected and are unlit when no signal is detected.
 - The OUTPUT SIGNAL LED blinks amber when the video output is muted (in sleep mode or when the display timer expires).
 - The HDCP LEDs light green when HDCP content is detected and are unlit when HDCP content is not detected.

TLI Pro 201 • Setup Guide (Continued)

Reset Modes

The TLI Pro 201 offers the following reset modes:

- **Use Factory Firmware:** Press and hold the **Reset** button (see [figure 4, B](#), on the previous page) while applying power to the unit. Use this mode to replace firmware in the event of firmware failure.
- **Reset All IP Settings:** Press and hold the **Reset** button for 6 seconds. After the Power LED ([A](#)) flashes twice, release and momentarily press the **Reset** button. Use this mode to reset all network settings without affecting user-loaded files.
- **Reset to Factory Defaults:** Press and hold the **Reset** button for 9 seconds. After the Power LED flashes three times, release and momentarily press the **Reset** button. Use this mode to return the device to factory default settings.

NOTES:

- The factory configured passwords for all accounts on this device have been set to the device serial number. Passwords can be changed with Toolbelt (see the *Toolbelt Help File*). They are case sensitive.
- If the device is reset to default settings, the passwords are reset to the default password, which is `extron` (for either `admin` or `user`).

- **Enable or Disable the DHCP Client:** This mode toggles between DHCP enabled and DHCP disabled. Press the **Reset** button five times, consecutively. After the fifth press, do not press the button again within 3 seconds. If DHCP was enabled, it is now disabled and the Power LED blinks three times. If DHCP was disabled, it is now enabled and the Power LED blinks six times.

Setup Menu

Press the **Menu** button (see [figure 4, C](#), on the previous page) to show the setup menu (see [figure 5](#)) on the connected display. There are seven available screens that are selected by pressing the appropriate button in the navigation bar on the left side of the screen.

- The Status screen is read-only and provides a summary of the other screens.
- The Network screen is used to edit the network settings (DHCP setting, IP, subnet mask, gateway, and DNS Primary addresses).
- The Output screen is used to configure the image shown by the third-party display, using built-in test patterns and EDID.
- The Input screen is used to configure the input video signal. This screen also allows the user to capture the EDID of a connected display (for more details about this feature, see the *TLP Pro 201 User Guide* at www.extron.com).
- The Audio screen is used to set audio levels.
- The Project Information screen is read-only and provides information about the device and about the Global Configurator Plus and Professional or Global Scriptor files and GUI Configurator projects.
- The Advanced screen provides information about the system and the memory. It also allows you to add or reset a PIN.

Press the **Exit** button to close the setup menu.

For more information about the setup menu, see the *TLI Pro 201 User Guide* at www.extron.com.

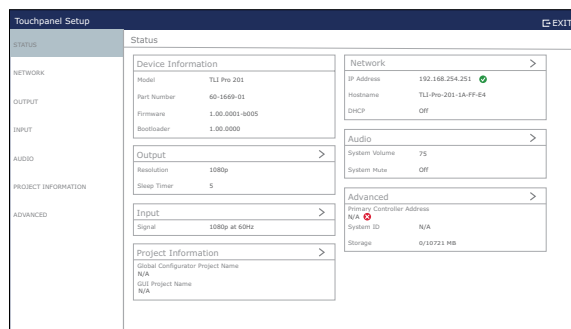


Figure 5. Setup Menu

For information on safety guidelines, regulatory compliances, EMI/EMF compatibility, accessibility, and related topics, see the [Extron Safety and Regulatory Compliance Guide](#) on the Extron website.