

STK 1 Tether Kit • Setup Guide

The Extron STK 1 Secure Tether Kit is an 18" (457 mm) wire with pre-crimped loops at each end. It helps to deter theft of touchpanels used with an Extron RWM (Recessed Wall Mount) kit. When used during installation and maintenance of the touchpanel, it relieves strain on the Ethernet cable. It may also prevent damage if the touchpanel is dropped while it is being serviced.

To secure the touchpanel, using the STK 1:

1. Prepare the wall for mounting the touchpanel, using a RWM 1 or RWM 2 (see the installation guide for your RWM).

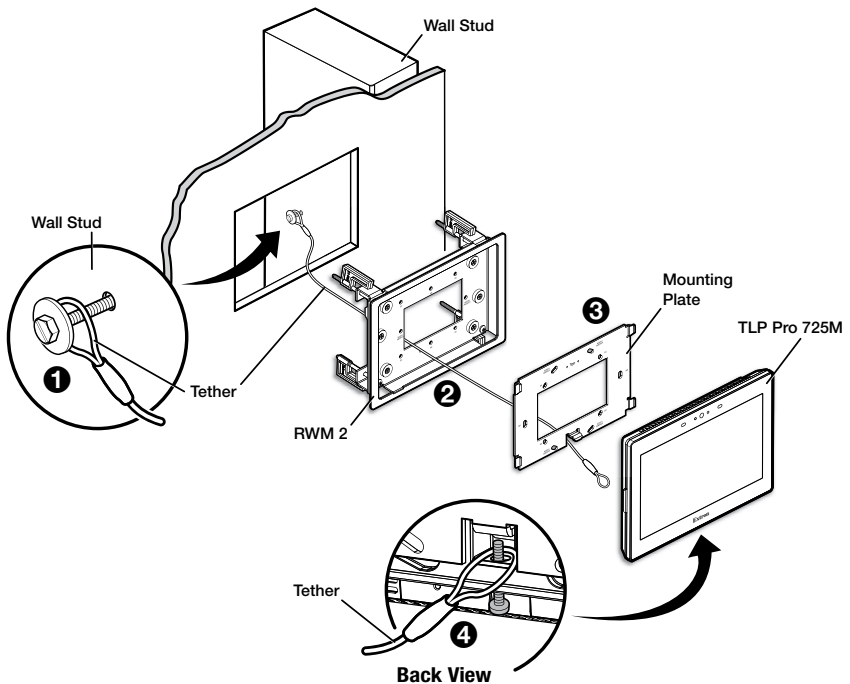


Figure 1. Securing a Touchpanel with the STK 1

2. Attach the loop at one end of the tether to an internal wall stud using the provided self-drilling screw and washer (1).
3. Pass the tether through the RWM and install the RWM (2) as described in the installation guide.

STK 1 Tether Kit • Setup Guide (Continued)

- Place the loop at the other end of the tether over the provided set screw at the bottom of the touchpanel (see figure 1, **4**). Do not pass the tether through the mounting plate.

NOTE: Two set screws are provided with the STK 1 kit:

- Use the 3/8" screw with the 5 inch touchpanel models and the RWM 1.
- Use the 1/2" screw with the 7 and 10 inch touchpanel models and the RWM 2.

- Connect cables to the touchpanel and secure it in the mounting plate.
- Tighten the set screw using the provided spanner head bit to secure the tether.
- Attach the mounting plate and touchpanel to the magnets on the RWM (**3**).