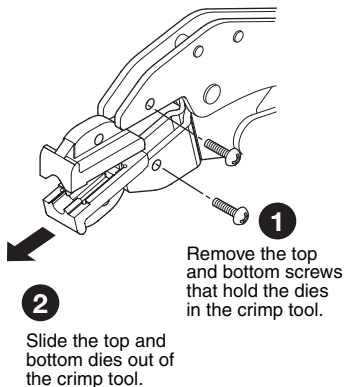


Universal Crimp Tool Die Installation Guide

Extron Universal Crimp Tool dies can be easily installed or replaced into an Extron crimp tool as shown in the instructions below.

Removing the Dies



Installing Replacement Dies

