

FOX USB Extender • Setup Guide

This guide provides basic instructions for an experienced installer to set up and operate the Extron FOX USB Extender fiber optic extenders.

IMPORTANT:
Refer to www.extron.com for the complete user guide and installation instructions before connecting the product to the power source.

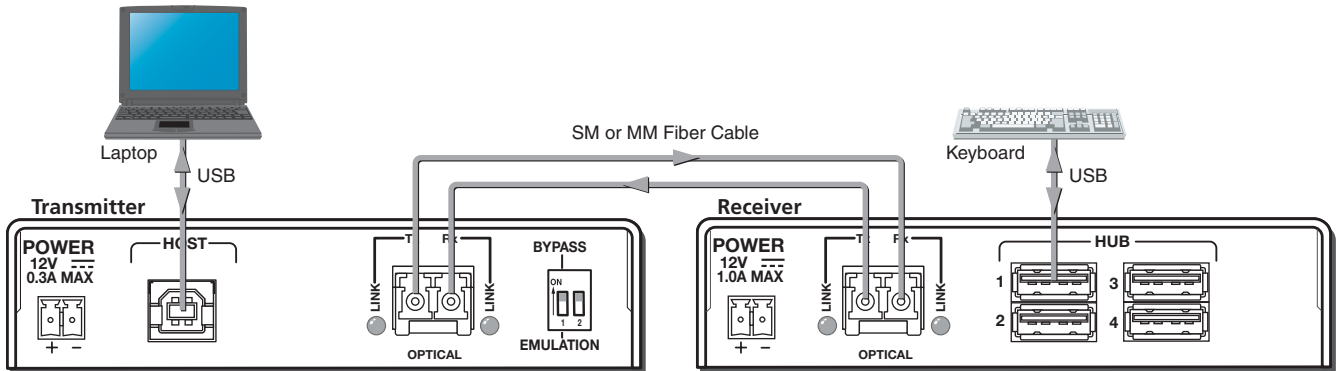
WARNING: This unit outputs continuous invisible light, which may be harmful to the eyes; use with caution. For additional safety, plug the attached dust caps into the optical transceivers when the fiber optic cable is unplugged.

The FOX USB Extender is a USB transmitter and receiver pair that extends the usable distance of USB 1.0, 1.1, and 2.0 standards with data transfer rates up to 480 Mbps.

The transmitter and receiver are categorized by the type of fiber optic cable, multimode or singlemode, which defines the effective range of transmission:

- **Multimode** — Long distance, up to 2 km (1.2 miles) (depending on the fiber cable)
- **Singlemode** — Very long distance, up to 30 km (18.75 miles)

NOTE: The multimode and singlemode units are physically and functionally identical, with the exception of the effective range of transmission. In this guide, any reference applies to either transmission mode unless otherwise specified.



Four USB 2.0 compatible type A female connectors provide +5 VDC at up to 500 mA to connected USB peripherals.

Mount the FOX USB Extender

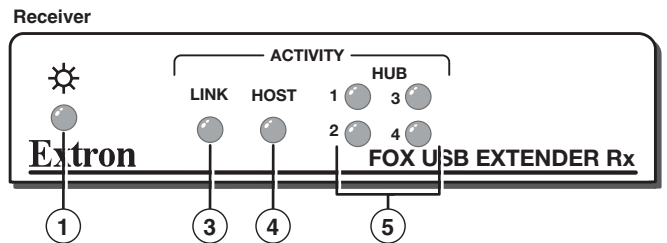
The FOX USB Extender units are in quarter rack wide, 3 inch deep, 1 inch high metal enclosures. If desired, install the FOX USB Extender transmitter and receiver in a rack or under or through furniture following instructions supplied with the optional mounting kit.

Run All Cables

Connect the transmitter and receiver as shown above. **Do not connect AC power at this time.**

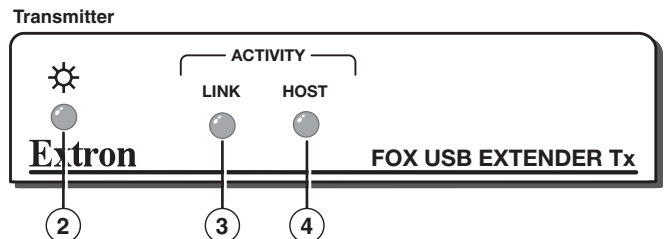
Apply Power to the FOX USB Extender

1. Connect AC power to the external power supply for the receiver. The power LED (①) on the receiver lights when power is applied.
2. Connect AC power to the external power supply for the transmitter. The power LED (②) of the transmitter lights when power is applied. The Link LED (③) on both the transmitter and receiver also lights to indicate proper link cable connection.



Connect the Host (Transmitter)

1. Connect a USB cable from the PC or laptop USB port to the transmitter Host port as shown above.
2. Reboot or power up the PC or laptop. The Host LED on the front panel of the transmitter (④) lights when the PC recognizes the port. The transmitter and receiver Link LEDs (③) both light.



FOX USB Extender • Setup Guide (Continued)

Connect the Hub (Receiver)

Connect up to four USB cables from peripheral devices to the receiver Hub ports. The order of connection does not matter. The Host LED on the receiver (③) lights as communications between the USB transmitter and host occur. As each peripheral is connected, the LED for the appropriate hub port (⑤) lights when the PC has detected the device.

NOTE: The FOX USB Extender receiver can supply up to 0.5 A to each connected peripheral.

Operation

After the receiver, the transmitter, and their connected devices are powered up, the system is fully operational. If any problems are encountered, verify that the cables are routed and connected properly and that all display devices have identical resolutions and refresh rates. If problems persist, call the Extron S3 Sales & Technical Support Hotline at the number shown below that is closest to you.

Transmitter Rear Panel DIP Switch

Emulation (down) position — Enable the peripheral emulation, which is internal to the transmitter. This emulation allows connected hosts, some of which require a connected USB device, to boot up normally.

Bypass (up) position — Bypass the internal hub emulation of the transmitter.

NOTES:

- The FOX USB Extender system supports up to four USB hubs connected to the receiver when the Bypass/Emulation switch on the transmitter is in the Bypass position. The system supports up to three hubs when the Bypass/Emulation switch is in the Emulation position.
- DIP switch 2 has no function.

Extron USA Headquarters +800.633.9876 (Inside USA/Canada Only)		Extron Europe +800.3987.6673 Inside Europe Only +31.33.453.4040 +31.33.453.4050 FAX	Extron India 1800.3070.3777 Inside India Only +91-80 3055.3777 +91 80 3055 3737 FAX
Extron USA - West +1.714.491.1500 +1.714.491.1517 FAX	Extron USA - East +1.919.863.1794 +1.919.863.1797 FAX	Extron Japan +81.3.3511.7655 +81.3.3511.7656 FAX Extron Korea +82.2.3444.1571 +82.2.3444.1575 FAX	Extron Middle East +971.4.2991800 +971.4.2991880 FAX
Extron Asia +800.7339.8766 Inside Asia Only +65.6383.4400 +65.6383.4664 FAX	Extron China +4000.EXTRON +4000.398766 Inside China Only +86.21.3760.1568 +86.21.3760.1566 FAX		