

VNM MBU VN-Matrix Under Desk Mounting Kit • Setup Guide

This setup guide provides instructions for an experienced installer to mount Extron® VN-Matrix™ 200 and VN-Matrix 300 units using the VNM MBU VN-Matrix Under Desk Mounting Kit, part number 60-1132-01.

Tools Required

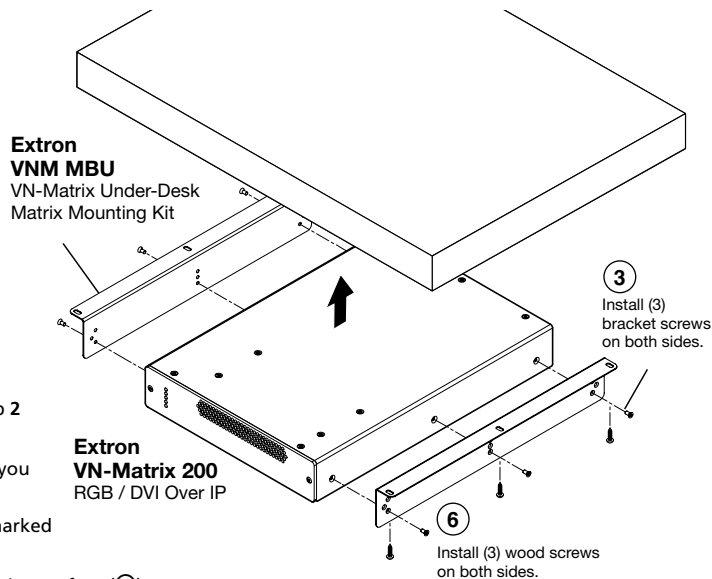
The following tools are needed:

- Phillips head screwdriver
- Small flat blade screwdriver

Mounting Procedure

NOTE: Ensure that the front and rear ventilation holes are not blocked.

1. If necessary, remove the feet from the bottom of the device.
2. Remove and retain all three screws from both sides of the unit.
3. Attach the mounting brackets to the device using screws removed in step 2 (3).
4. Hold the product and brackets on the underside of the surface to which you are mounting the device and mark the six screw holes.
5. Drill six pilot holes, each 3/32-inch in diameter by 1/4-inch deep, where marked in step 4.
6. Using the six wood screws provided, attach the brackets under the mounting surface (6).



Extron USA - West Headquarters +800.633.9876 Inside USA/Canada Only +1.714.491.1500 +1.714.491.1517 FAX	Extron USA - East +800.633.9876 Inside USA/Canada Only +1.919.863.1794 +1.919.863.1797 FAX	Extron Europe +800.3987.6673 Inside Europe Only +31.33.453.4040 +31.33.453.4050 FAX	Extron Asia +800.7339.8766 Inside Asia Only +65.6383.4400 +65.6383.4664 FAX	Extron Japan +81.3.3511.7655 +81.3.3511.7656 FAX	Extron China +400.883.1568 Inside China Only +86.21.3760.1568 +86.21.3760.1566 FAX	Extron Middle East +971.4.2991800 +971.4.2991880 FAX
--	--	---	---	---	--	---

68-2030-50
Rev **A**
11 10