

FOX DA8 • Setup Guide

IMPORTANT:
Refer to www.extron.com for the complete user guide and installation instructions before connecting the product to the power source.

This sheet provides quick start instructions for an experienced installer to set up and operate the Extron® FOX DA8 fiber optic distribution amplifier.

Installation

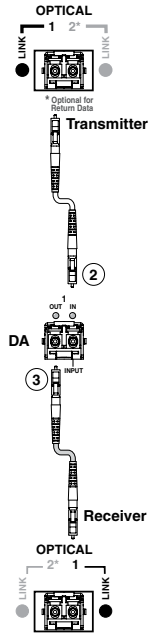
Step 1 — Mounting

Turn off or disconnect the power sources to all equipment and mount the FOX DA8 as required.

Step 2 — Optical Input

Connect a fiber optic transmitter to the FOX DA8 rear panel input connector.

NOTE: The input (right) LC connector of transceiver block 1 is the only functional input connector. Input LC connectors are not functional for transceiver blocks 2 through 8.

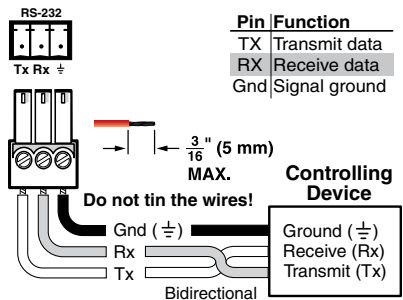


Step 3 — Optical Outputs

Connect up to eight fiber cables between the FOX DA Output LC connectors (the left-hand connector on each transceiver block) and compatible receivers.

Step 4 — Remote Connector

- Connect a host device to the rear panel RS-232 port.
- Connect a host device to the front panel Configuration port via an optional TRS RS-23 cable (part number 70-335-01).



Step 5 — Power

Use a standard IEC power cord connect the FOX DA8 power connector and a 100 VAC to 240 VAC, 50 or 60 Hz power source.

FOX DA8 • Setup Guide (Continued)

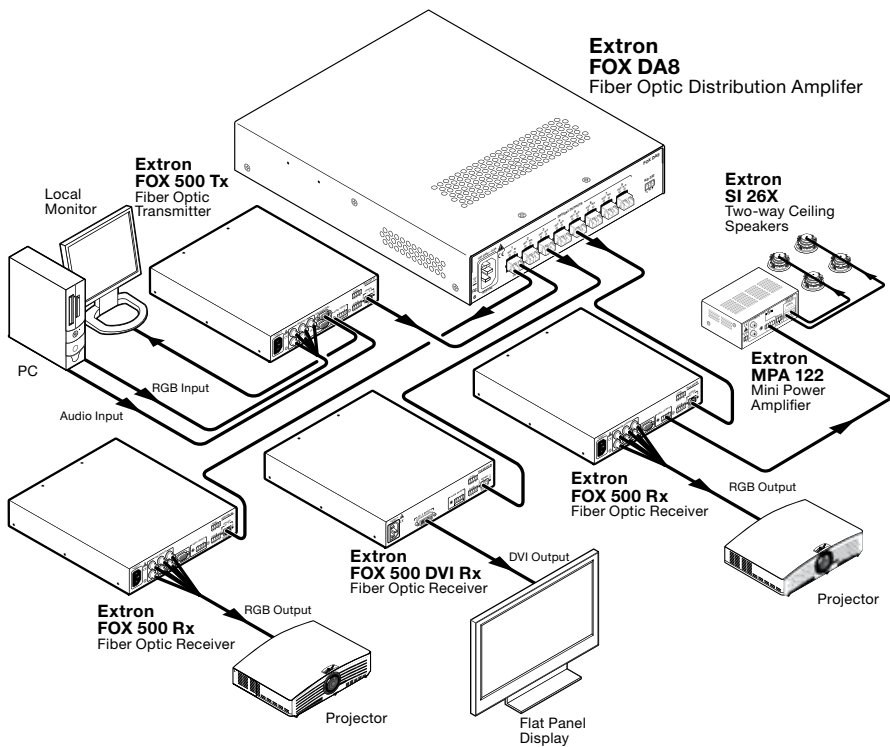


Figure 1. Typical FOX DA8 Application

WARNING: This unit outputs continuous invisible light, which may be harmful and dangerous to the eyes; use with caution. For additional safety, plug the attached dust caps into the optical transceivers when the fiber optic cable is unplugged.

Extron USA - West Headquarters	Extron USA - East	Extron Europe	Extron Asia	Extron Japan	Extron China	Extron Middle East
+800.633.9876 Inside USA and Canada Only	+800.633.9876 Inside USA and Canada Only	+800.3987.6673 Inside Europe Only	+800.7339.8766 Inside Asia Only	+81.3.3511.7655 +81.3.3511.7656 FAX	+400.883.1568 Inside China Only	+971.4.2991800 +971.4.2991880 FAX
+1.714.491.1500 +1.714.491.1517 FAX	+1.919.863.1794 +1.919.863.1797 FAX	+31.33.453.4040 +31.33.453.4050 FAX	+65.6383.4400 +65.6383.4664 FAX		+86.21.3760.1568 +86.21.3760.1566 FAX	