

Lid and Trim Ring Replacement Kit for Cable Cubby models 300C, 300S, 600, and 800

Removing Old Trim Ring and Lid

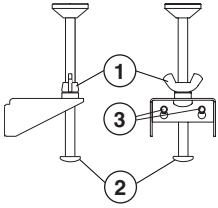
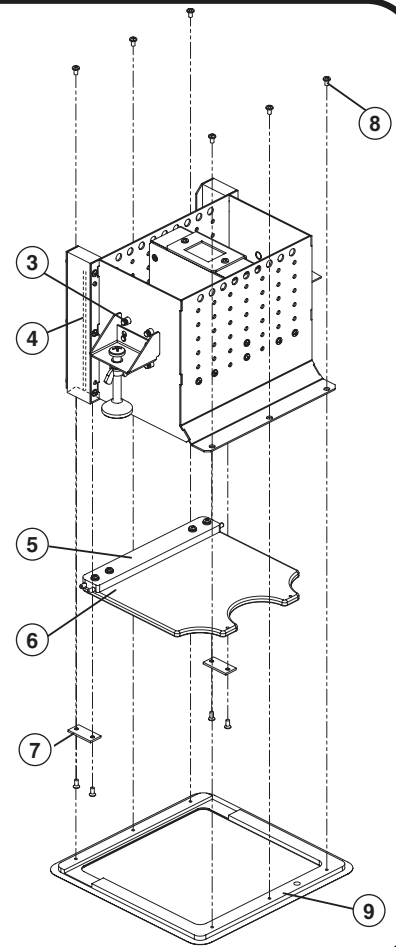


Table Clamps

1. Switch off all units, disconnect power and remove cables.
2. From under the table, loosen the wing nuts ① and Phillips head screws ②.
3. Remove the table clamps from both sides of the cable cubby. (Note the pegs ③ they sit on.)
4. Remove the cable cubby and set it upside-down on a thick cloth to prevent damage to the table.
5. Remove the screws ⑧ connecting the old trim ring ⑨ (four screws for models 300C and 300S; six screws for models 600 and 800.)
6. Unscrew the two retaining plates ⑦ capping the grooves ④ in which the pivot bar ⑤ is seated.
7. Remove the old lid ⑥ and pivot bar.



Installing New Trim Ring and Lid

1. Unscrew the old lid from the pivot bar (four screws and washers for all models).
2. Attach the old pivot bar to the new lid with the four provided 4-40 3/8" L screws and washers.

NOTE Screws attaching the lid to the pivot bar come with washers and are slightly longer than the screws for the trim ring, which have no washers.

3. Slide the pivot bar ⑤ and lid ⑥ into the grooves of the cubby hole ④ (located on the inside surface of the cubby hole back supports) and reattach the two retaining plates.
4. Loosely attach the new trim ring to the cable cubby with the provided 4-40 5/32" L screws.
5. Adjust the position of the ring so the lid opens and closes freely. Then fully tighten the screws.
6. Replace the cable cubby.
7. Replace both table clamps on their original pegs.
8. Tighten the Phillips head screws and thumbscrews.
9. Adjust the hex nuts ⑩ in the cubby lid ⑥, if necessary, until the lid sits flush with the trim ring.
10. Reconnect cables and power. Switch on units.

