

## Specifications

### WPD Audio Series

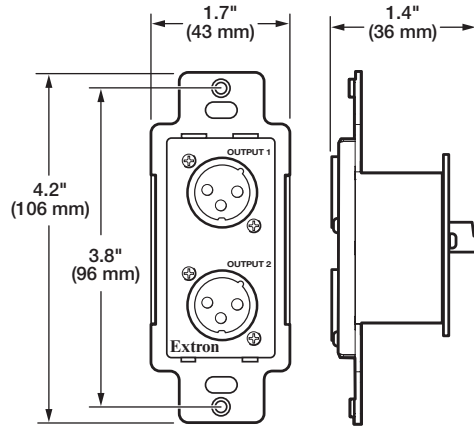
#### General

Mounting .....	Extron AAP 314 or AAP 424
Furniture or wall mount .....	Yes, with standard decorator-style wallplate
Enclosure type .....	Metal/Plastic
Connector type	
WPD 102 XLR .....	2 male XLR to direct insertion captive screw connector, 5-pole
WPD 102 RCA .....	2 female RCA to direct insertion captive screw connector, 5-pole
WPD 101 3.5 mm .....	1 female 3.5 mm audio TRS jack to 3.5 mm direct insertion captive screw connector, 3-pole
Enclosure dimensions .....	All models
Faceplate .....	2.6" H x 1.3" W x 0.3" D (66 mm H x 33 mm W x 6 mm D) (Fits the opening in a 1 gang decorator-style wallplate)
Module	
WPD 102 XLR .....	4.2" H x 1.7" W x 1.4" D (106 mm H x 43 mm W x 36 mm D)
WPD 102 RCA.....	4.2" H x 1.7" W x 1.2" D (106 mm H x 43 mm W x 30 mm D)
WPD 101 3.5 mm.....	4.1" H x 1.4" W x 0.8" D (104 mm H x 36 mm W x 20 mm D)
Product weight .....	0.1 lb (<0.1 kg)
Regulatory compliance.....	Complies with the appropriate requirements of RoHS, WEEE
Product warranty .....	3 years parts and labor

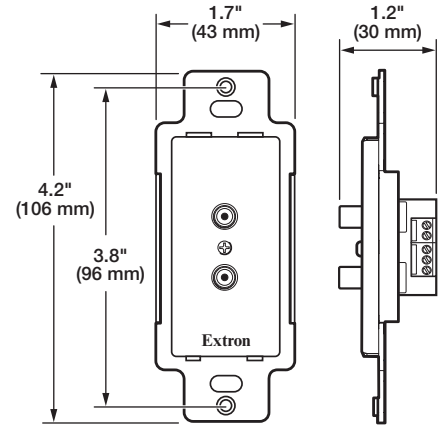
**NOTE:** Specifications are subject to change without notice.

**NOTE:** Shipping weights and dimensions are available at [www.extron.com](http://www.extron.com).

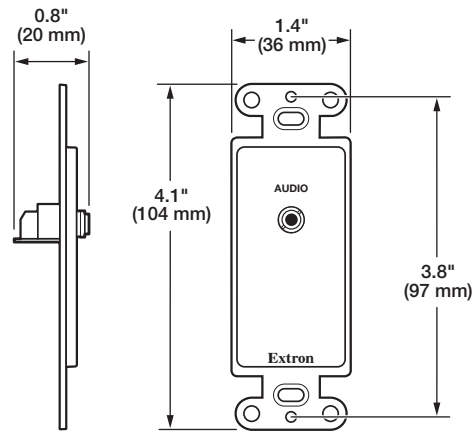
## Specifications • WPD Audio Series (Continued)



**WPD 102 XLR**



**WPD 102 RCA**



**WPD 101 3.5 mm**

4526-D3