

Specifications

WPD 100 AV Series Wallplates

Cable - USB-C

TRUE 4K Specification

Max. 4K Capabilities		
Resolution and Refresh Rate	Chroma Sampling	Max. Bit Depth per Color
4096x2160 at 60 Hz	4:4:4	8 bit
3840x2160 at 60 Hz	4:2:2	12 bit

Frame rate¹ 24, 25, 30, 50, or 60 fps
 Chroma sampling¹ 4:4:4 or 4:2:2
 Color bit depth¹ 8, 10, or 12 bits per color
 Signal type Up to DisplayPort 1.2 and HDCP 2.3
 Max. video data rate 21.6 Gbps (5.4 Gbps per lane)

NOTE: ¹Subject to the maximum data rate limit. Use our calculator at www.extron.com/8Kdatarate to determine video parameters supported by this data rate.

Video

DisplayPort video DisplayPort Alt Mode, DP 1.2 (1, 2, or 4 lanes)
 Max. video data rate 21.6 Gbps (5.4 Gbps per lane)
 Resolution range 640x480⁸, 480p^{7,2}, 576p⁶, 720p^{3,4,5,6,7,8,9}, 1080i^{6,7,8}, 1080p^{1,2,3,4,5,6,7,8,9}
 2K^{1,2,3,4,5,6,7,8}, 3840x2160^{12,3,4,5}, 4096x2160^{1,2,3,4,5}
 Frame rate ¹23.98 Hz, ²24 Hz, ³25 Hz, ⁴29.97 Hz, ⁵30 Hz, ⁶50 Hz, ⁷59.94 Hz, ⁸60 Hz,
⁹120 Hz (depending on resolution)
 Color space 4:4:4 or 4:2:2
 Color bit depth 8, 10, and 12 bits per color (subject to maximum data rate)
 Formats RGB and YCbCr digital video

Data

USB specification USB 3.2 (Gen 1), 2.0, 1.1 compatible
 USB data rate Up to 5 Gbps

Power

Maximum power supply 60 watts
 Maximum current 3 A

Mechanical

Cable outer diameter 0.23" (5.7 mm)

Specifications • WPD 100 AV Series Wallplates (Continued)

Cable - Digital

TRUE 4K specification

Max. 4K Capabilities		
Resolution and Refresh Rate	Chroma Sampling	Max. Bit Depth per Color
4096 x 2160 at 30 Hz	4:4:4	8 bit
3840 x 2160 at 30 Hz		
4096 x 2160 at 60 Hz	4:2:0	
3840 x 2160 at 60 Hz		

Frame rate¹ 24, 25, 30, 50, or 60 fps
 Chroma sampling¹ 4:4:4, 4:2:2, or 4:2:0
 Color bit depth¹ 8 bits per color
 Signal type HDMI 1.4
 Max. video data rate 10.2 Gbps (3.4 Gbps per color)

NOTE: ¹Subject to the maximum data rate limit. Use our calculator at www.extron.com/8Kdatarate to determine video parameters supported by this data rate.

General

Mounting Extron AAP 314, AAP 424, or US-gang decorator-style mounting frames
 Furniture or wall mount Yes, with standard decorator-style wallplate
 Enclosure type Plastic
 Connector type HDMI female to HDMI female
 VGA female to VGA female
 RJ-45 CAT 5e female to female
 3.5 mm stereo audio jack to captive screw
 USB 2.0 Type A female to Type A female
 USB 3.2 (Gen 1) Type A female to Type B female, reversible
 USB-C female to USB-C male
 3.5 mm Captive screw connector, 3-pole to 3.5 mm captive screw connector, 3-pole

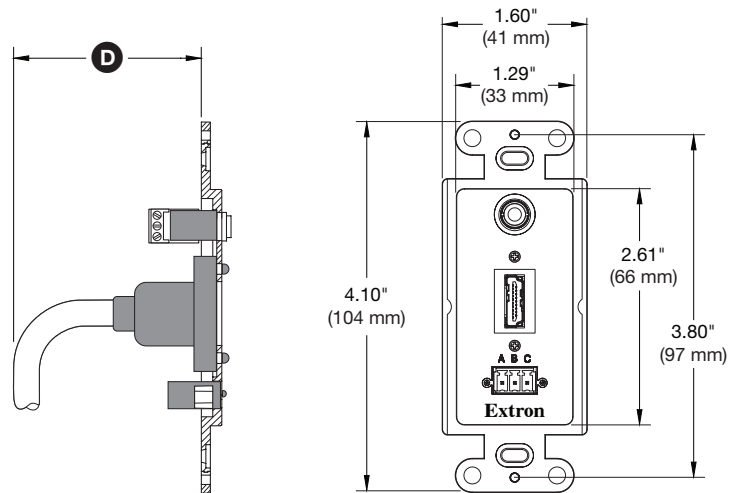
Connectivity - WPD 100 AV Series							
	101 U	110 A	140 A	150 A	160	163	170
HDMI		1		1	1	1	2
VGA			1	1			
USB 2.0					1		
USB 3.2 (Gen 1)						1	
USB-C	1						
RJ-45 Barrel					1	1	1
3.5 mm Audio		1	1	1			
3.5 mm captive screw		1	1				

Specifications • WPD 100 AV Series Wallplates (Continued)

Cable Dimensions		
	Length*	Outer Diameter
HDMI	12.75" (324 mm)	0.24" (6.0 mm)
VGA	9.00" (228 mm)	0.24" (6.0 mm)
USB 2.0	13.30" (338 mm)	0.22" (5.7 mm)
USB 3.2 (Gen 1)	12.90" (328 mm)	0.25" (6.4 mm)
USB-C	3.0' (0.9 m)	0.23" (5.7 mm)

*Length includes connector.

Enclosure dimensions..... All models
 Module..... 4.10" H x 1.60" W x 0.26" D (104 mm H x 41 mm W x 6.6 mm D)
 (Depth excludes connectors. Fits into standard one-gang decorator-style frame.)
 Mounting holes are 3.80" (97 mm) apart.
 Face is 2.61" H x 1.29" W (66 mm H x 33 mm W).



- D** Depths, Including Bend Radius:
- WPD 101 U: 2.0" (50 mm)
 - WPD 110 A: 2.0" (50 mm)
 - WPD 140 A: 2.4" (60 mm)
 - WPD 150 A: 2.4" (60 mm)
 - WPD 160: 2.4" (60 mm)
 - WPD 163: 2.4" (60 mm)
 - WPD 170: 2.4" (60 mm)

WPD 110 A

ATTENTION: Do not bend cable beyond the recommended depth.

Product weight
 All models..... 0.1 lb (<0.1 kg)
 WPD 101 U..... 0.2 lb (<0.1 kg)
 Regulatory compliance..... RoHS, WEEE
 Product warranty..... 3 years parts and labor

NOTE: Specifications are subject to change without notice.

NOTE: Shipping weights and dimensions are available at www.extron.com.