

## Specifications

### WPD 100 AV Series Wallplates

#### Cable - Digital

#### **TRUE 4K** specification

Max. 4K Capabilities		
Resolution and Refresh Rate	Chroma Sampling	Max. Bit Depth per Color
4096 x 2160 at 30 Hz	4:4:4	8 bit
3840 x 2160 at 30 Hz		
4096 x 2160 at 60 Hz	4:2:0	
3840 x 2160 at 60 Hz		

Frame rate <sup>1</sup> .....	24, 25, 30, 50, or 60 fps
Chroma sampling <sup>1</sup> .....	4:4:4, 4:2:2, or 4:2:0
Color bit depth <sup>1</sup> .....	8 bits per color
Signal type .....	HDMI 1.4, DisplayPort 1.1a
Max. video data rate	
HDMI.....	10.2 Gbps (3.4 Gbps per color)
DisplayPort.....	10.8 Gbps (2.7 Gbps per lane)

**NOTE:** <sup>1</sup>Subject to the maximum data rate limit. Use our calculator at [www.extron.com/8KdataRate](http://www.extron.com/8KdataRate) to determine video parameters supported by this data rate.

#### General

Mounting.....	Extron AAP 314, AAP 424, or US-gang decorator-style mounting frames
Furniture or wall mount .....	Yes, with standard decorator-style wallplate
Enclosure type .....	Plastic
Connector type .....	HDMI female to HDMI female VGA female to VGA female RJ-45 CAT 5e female to female DisplayPort female to DisplayPort female 3.5 mm stereo audio jack to captive screw USB 2.0 Type A female to Type A female USB 3.2 Gen 1 Type A female to Type B female, reversible 3.5 mm Captive screw connector, 3-pole to 3.5 mm captive screw connector, 3-pole

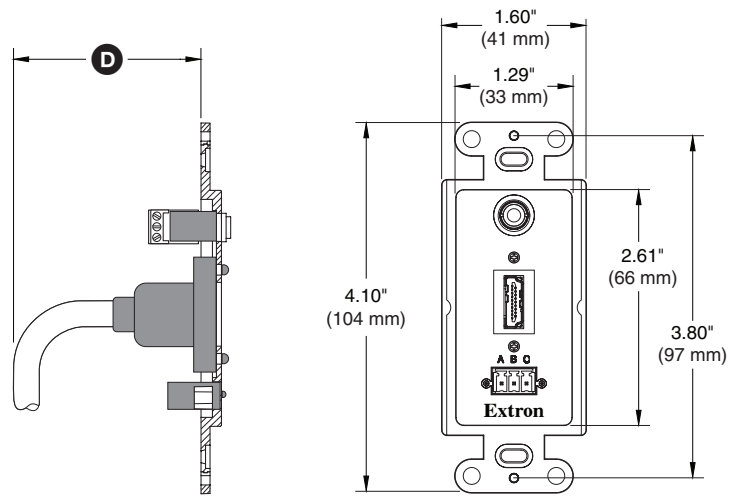
# Specifications • WPD 100 AV Series Wallplates (Continued)

Connectivity - WPD 100 AV Series						
	110 A	140 A	150 A	160	163	170
HDMI	1		1	1	1	2
VGA		1	1			
DisplayPort						
USB 2.0				1		
USB 3.2					1	
RJ-45 Barrel				1	1	1
3.5 mm Audio	1	1	1			
3.5 mm captive screw	1	1				

Cable Dimensions		
	Length*	Outer Diameter
HDMI	12.75" (324 mm)	0.24" (6.0 mm)
VGA	9.00" (228 mm)	0.24" (6.0 mm)
DisplayPort	10.25" (260 mm)	0.17" (4.3 mm)
USB 2.0	13.30" (338 mm)	0.22" (5.7 mm)
USB 3.2	12.90" (328 mm)	0.25" (6.4 mm)

\*Length includes connector.

Enclosure dimensions..... All models  
 Module..... 4.10" H x 1.60" W x 0.26" D (104 mm H x 41 mm W x 6.6 mm D)  
 (Depth excludes connectors. Fits into standard one-gang decorator-style frame.)  
 Mounting holes are 3.80" (97 mm) apart.  
 Face is 2.61" H x 1.29" W (66 mm H x 33 mm W).



- D** Depths, Including Bend Radius:
- WPD 110 A: 2.0" (50 mm)
  - WPD 140 A: 2.4" (60 mm)
  - WPD 150 A: 2.4" (60 mm)
  - WPD 160: 2.4" (60 mm)
  - WPD 163: 2.4" (60 mm)
  - WPD 170: 2.4" (60 mm)

**WPD 110 A**

**ATTENTION:** Do not bend cable beyond the recommended depth.

## Specifications • WPD 100 AV Series Wallplates (Continued)

---

Product weight..... 0.1 lb (<0.1 kg)  
Regulatory compliance..... RoHS, WEEE  
Product warranty..... 3 years parts and labor

**NOTE:** Specifications are subject to change without notice.

**NOTE:** Shipping weights and dimensions are available at [www.extron.com](http://www.extron.com).

5828-D8