

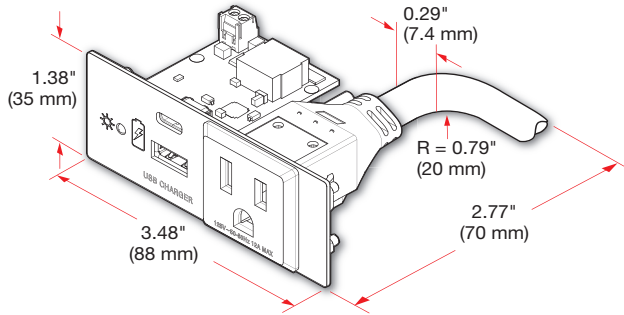
Specifications

USB PowerPlate 300 Series

General

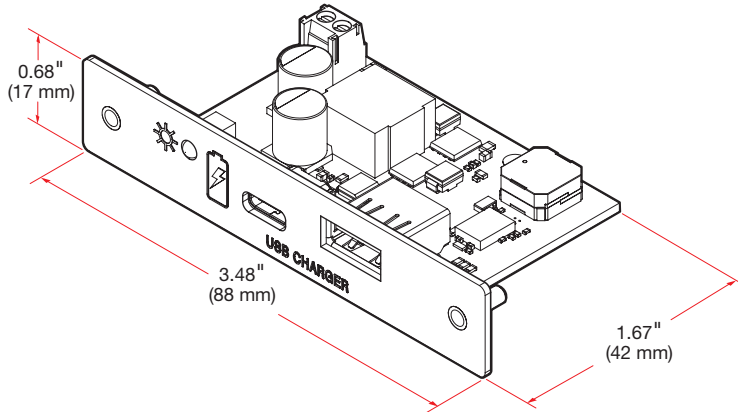
Power supply (USB)	External Input: 100-240 VAC, 50-60 Hz Output: 12 VDC, 4.2 A
Power output (USB)	USB Type-C: 5 VDC @ up to 3 A, 9 VDC @ up to 3 A, 12 VDC @ up to 3 A, 15 VDC @ up to 3A, or 20 VDC @ up to 2.25 A. USB Type-A: 5 VDC @ up to 2 A (5 VDC @ up to 0.5 A when USB Type-C is in 15 VDC or 20 VDC profile) 47.5 Total Watts
Power consumption	
Device	50.9 watts
Device and power supply	55.1 watts
Power output (AC models)	125 VAC, 50-60 Hz, 12 A max.
Thermal dissipation (USB)	
Device	11.4 BTU/hr
Device and power supply	25.9 BTU/hr
Mounting	
Rack mount	
AAP/MAAP/AC AAP/ Flex55.....	Yes, with optional rack mounting frame
Furniture or wall mount	
AAP/MAAP/AC AAP Flex55.....	Yes, with optional mounting frame or enclosure
Enclosure type	Metal
Enclosure dimensions	
AC AAP	
Connector type.....	NEMA 5-15 R, polarized, 3-pin to NEMA 5-15 P, non-polarized, 3-pin USB Type A female, power only USB Type C female, power only
Cable length	AC power cord 9' (2.7 meter)
Cable outer diameter	AC power cord 0.29" (7.4 mm)
Faceplate.....	1.38" H x 3.48" W (35 mm H x 88 mm W (double space AAP plate)
Device	1.30" H x 2.70" W (33 mm H x 68 mm W) Allow at least 2.77" (70 mm) depth in the furniture.

Specifications • USB PowerPlate 300 Series (Continued)



AAP

- Connector type..... USB Type A female, power only
USB Type C female, power only
- Faceplate..... 0.68" H x 3.48" W
(17 mm H x 88 mm W) (single space AAP plate)
- Device 0.60" H x 2.47" W x 1.62" D
(15 mm H x 63 mm W x 41 mm D)
Allow at least 1.8" (46 mm) depth in the wall or furniture for cable management.

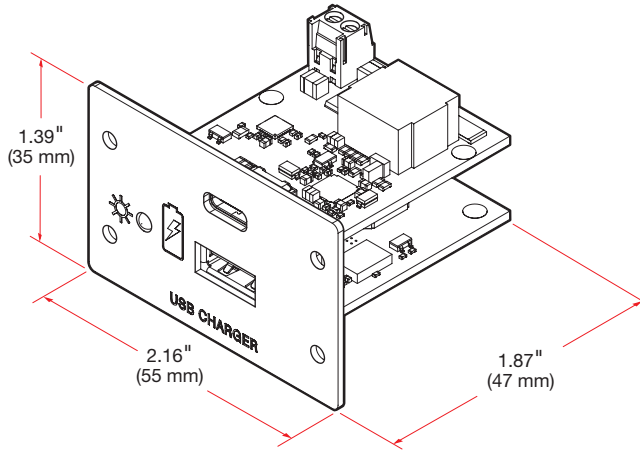


USB PowerPlate 311 AAP model

MAAP

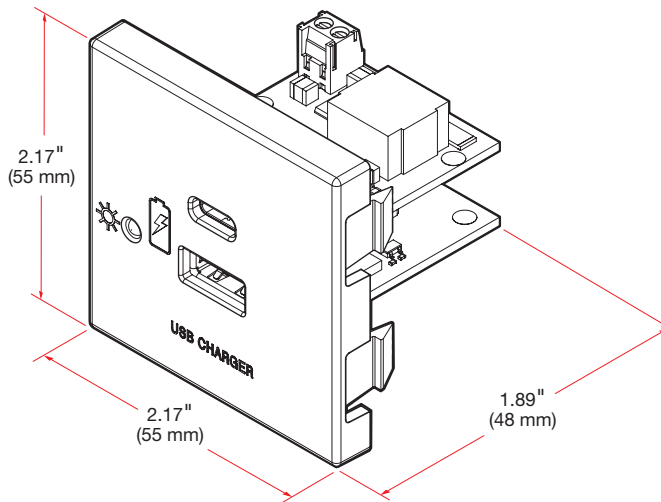
- Connector type..... USB Type A female, power only
USB Type C female, power only
- Faceplate..... 1.39" H x 2.16" W
(35 mm H x 55 mm W) (double space MAAP plate)
- Device 1.11" H x 1.41" W x 1.82" D
(28 mm H x 36 mm W x 46 mm D)
Allow at least 1.97" (50 mm) depth in the wall or furniture for cable management.

Specifications • USB PowerPlate 300 Series (Continued)



USB PowerPlate 311 MAAP model

Flex55 dimensions..... 2.17" H x 2.17" W x 0.29" D
 (55 mm H x 55 mm W x 7.3 mm D)
 Allow at least 1.89" (48 mm) depth in the wall or furniture for cable management.



Flex55 USB 311 PowerPlate model

Product weight	
AC AAP.....	1.2 lbs (0.5 kg)
AAP.....	0.1 lbs (0.1 kg)
MAAP.....	0.1 lbs (0.1 kg)
Flex55.....	0.1 lbs (0.1 kg)
Regulatory compliance.....	CE, c-UL, UL, C-tick, FCC Class A, ICES, VCCI Class A, RoHS, WEEE
Product warranty.....	3 years parts and labor
Everlast power supply warranty.....	7 years parts and labor

NOTE: Specifications are subject to change without notice.

NOTE: Shipping weights and dimensions are available at www.extron.com.