

## Specifications

### Retractor Series

#### Cable – USBC Pro 8K (Red Ring)

**TRUE 8K** specification

Max. 8K Capabilities			
Resolution	Refresh Rate	Chroma Sampling	Max. Bit Depth per Color
7680x4320	30 Hz	4:4:4	8 bit
Max. 4K Capabilities			
Resolution	Refresh Rate	Chroma Sampling	Max. Bit Depth per Color
4096x2160	60 Hz	4:4:4	12 bit
3840x2160			8 bit
	120 Hz		

Frame rate<sup>1</sup> ..... 24, 25, 30, 50, 60, or 120 fps  
 Chroma sampling<sup>1</sup> ..... 4:4:4 or 4:2:2  
 Color bit depth<sup>1</sup> ..... 8, 10, or 12 bits per color  
 Signal type ..... Up to DisplayPort 1.4 and HDCP 2.3  
 Max. video data rate ..... 32.4 Gbps (8.1 Gbps Per Lane)

**NOTE:** <sup>1</sup>Subject to the maximum data rate limit. Use our calculator at [www.extron.com/8Kdata rate](http://www.extron.com/8Kdata rate) to determine video parameters supported by this data rate.

USB-C cable  
 Connector type ..... 1 USB-C Male to 1 USB-C Male

Data  
 USB specification ..... USB 2.0 and USB 1.1 compatible  
 USB data rate ..... Up to 480 Mbps  
 Maximum built-in USB hubs .... 0

Power  
 Maximum power delivery ..... 60 W  
 Maximum current ..... 3 A

# Specifications • Retractor Series (Continued)

## Cable - USBC Pro (Blue Ring)

**TRUE 4K** specification

Max. 4K Capabilities		
Resolution and Refresh Rate	Chroma Sampling	Max. Bit Depth per Color
4096x2160 at 30 Hz	4:4:4	8 bit
3840x2160 at 30 Hz		

Frame rate<sup>1</sup> ..... 24, 25, or 30 fps  
 Chroma sampling<sup>1</sup> ..... 4:4:4 or 4:2:2  
 Color bit depth<sup>1</sup> ..... 8, 10, or 12 bits per color  
 Signal type ..... Up to DisplayPort 1.4 and HDCP 2.3  
 Max. video data rate ..... 16.2 Gbps (8.1 Gbps per lane)

**NOTE:** <sup>1</sup>Subject to the maximum data rate limit. Use our calculator at [www.extron.com/8Kdata rate](http://www.extron.com/8Kdata rate) to determine video parameters supported by this data rate.

USB-C cable  
 Connector type ..... 1 USB-C Male to 1 USB-C Male

Data  
 USB specification ..... USB 3.2 (Gen 1), USB 2.0, USB 1.1 compatible  
 USB data rate ..... Up to 5 Gbps  
 Maximum built-in USB hubs .... 0

Power  
 Maximum power delivery ..... 60 W  
 Maximum current ..... 3 A

# Specifications • Retractor Series (Continued)

## Cable - Digital

**TRUE 4K** specification

Max. 4K Capabilities		
Resolution and Refresh Rate	Chroma Sampling	Max. Bit Depth per Color
4096 x 2160 at 30 Hz	4:4:4	8 bit
3840 x 2160 at 30 Hz		
4096 x 2160 at 60 Hz	4:2:0	
3840 x 2160 at 60 Hz		

- Frame rate<sup>1</sup> ..... 24, 25, 30, 50, or 60 fps
- Chroma sampling<sup>1</sup> ..... 4:4:4, 4:2:2, or 4:2:0
- Color bit depth<sup>1</sup> ..... 8 bits per color
- Signal type<sup>1</sup> ..... HDMI 1.4, DisplayPort 1.1a
- Maximum video data rate
  - HDMI and USB-C - HDMI ..... 10.2 Gbps (3.4 Gbps per color)
  - DisplayPort and USB-C - DP ... 10.8 Gbps (2.7 Gbps per lane)

**NOTE:** <sup>1</sup>Subject to the maximum data rate limit. Use our calculator ([www.extron.com/8Kdata rate](http://www.extron.com/8Kdata rate)) to determine video parameters supported by this data rate.

- HDMI cables
  - Connector type ..... 1 male HDMI type A to 1 male HDMI type A
- DisplayPort cables
  - Connector type ..... 1 male latching DisplayPort to 1 male latching DisplayPort  
1 male latching DisplayPort to 1 HDMI type A
- Mini DisplayPort cables
  - Connector type ..... 1 male Mini DisplayPort to 1 male latching DisplayPort  
1 male Mini DisplayPort to 1 male HDMI type A
- USB-C cables
  - Connector type ..... 1 male USB-C to 1 male HDMI type A  
1 male USB-C to 1 male latching DisplayPort

## Cable – Analog

- VGA cables
  - Connector type ..... 1 male 15-pin HD to 1 male 15-pin HD
- VGA-A cables
  - Connector type ..... 1 male 15-pin HD with 24 inch male 3.5 mm stereo audio pigtail to  
1 male 15-pin HD with 8 inch male 3.5 mm stereo audio pigtail
- Audio cables
  - Connector type ..... 1 male 3.5 mm stereo audio TRS (tip, ring, sleeve) to 1 male 3.5 mm TRS

## Cable

- USB cables
  - Standards ..... USB 2.0
  - Connector type ..... 1 male USB 2.0 Type A to 1 male Type A
  - USB data rate ..... High speed (480 Mbps)
- USB 3.2 Gen 1 cables
  - Standard ..... USB 3.2 Gen 1
  - Connector type ..... 1 male USB 3.2 Gen 1 Type A to male Type B
  - USB data rate ..... SuperSpeed (5 Gbps)

# Specifications • Retractor Series (Continued)

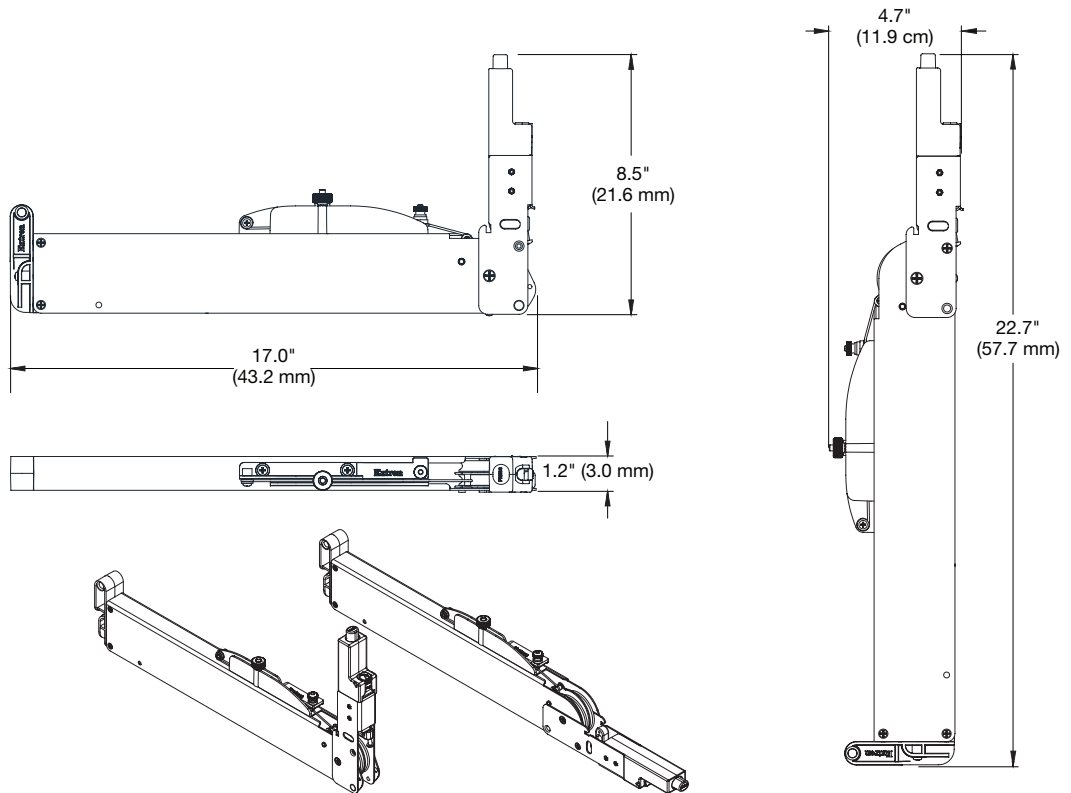
USB-C cables	
Standard .....	USB power only
Connector type .....	1 male USB-C to 1 female USB-C
Power capacity.....	100 watts (5 A)
Network cables	
Standards.....	CAT 6
Connector type .....	1 male shielded RJ-45 to 1 male shielded RJ-45
DC Connector cables	
Connector type .....	1 male DC power connector to 1 female DC power connector
DC Lenovo connector cables	
Connector type .....	1 male DC Slim-tip to 1 female DC Slim-tip

## General

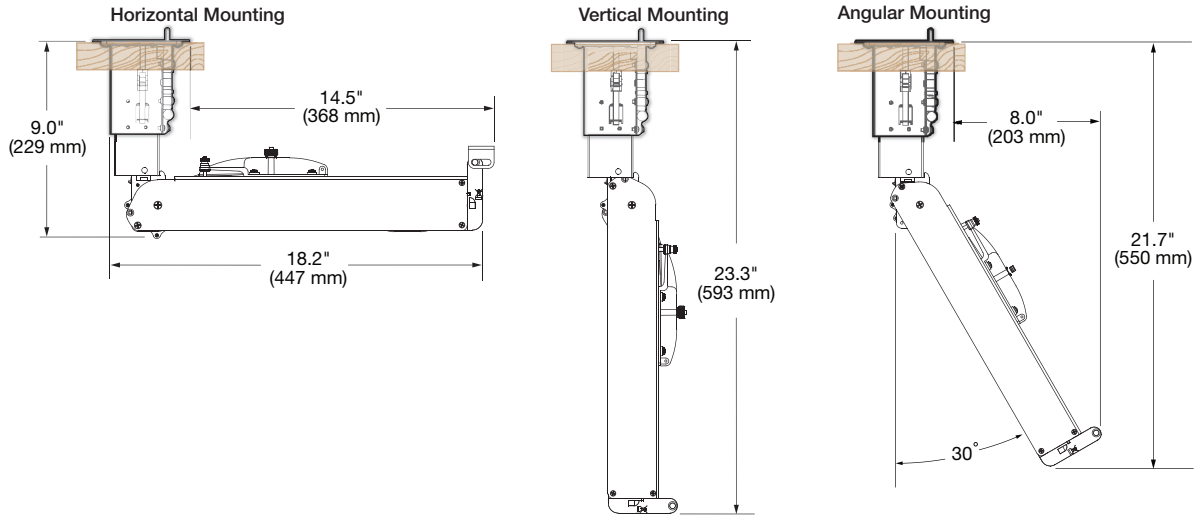
Mounting ..... Mountable into Extron Cable Cubby, TLP Cable Cubby TouchLink® and AVEdge 100 enclosures, and the TMK 120 R Table Mount Kit (all sold separately)

**NOTE:** An optional bracket is required for horizontal mounting. Go to [www.extron.com](http://www.extron.com) for information on installing additional brackets.

Enclosure type ..... Metal and plastic  
 Enclosure dimensions ..... 22.7" H x 1.2" W x 4.7" D  
 (57.7 cm H x 3.0 cm W x 11.9 cm D)  
 See the following diagrams for additional dimensions.



# Specifications • Retractor Series (Continued)



Product weight ..... 2.8 lbs (1.3 kg)  
 Regulatory compliance..... RoHS, WEEE  
 Life expectancy..... Tested to exceed 7500 cycles  
 Warranty ..... 3 years parts and labor including pre-installed cable assembly

**NOTE:** Specifications are subject to change without notice.

**NOTE:** Shipping weights and dimensions are available at [www.extron.com](http://www.extron.com).

5778-D13