

Specifications

Retractor Series

Cable - Digital

TRUE 4K specification

Max. 4K Capabilities		
Resolution and Refresh Rate	Chroma Sampling	Max. Bit Depth per Color
4096 x 2160 at 30 Hz	4:4:4	8 bit
3840 x 2160 at 30 Hz		
4096 x 2160 at 60 Hz	4:2:0	
3840 x 2160 at 60 Hz		

Frame rate ¹	24, 25, 30, 50, or 60 fps
Chroma sampling ¹	4:4:4, 4:2:2, or 4:2:0
Color bit depth ¹	8 bits per color
Signal type ¹	HDMI 1.4, DisplayPort 1.1a
Maximum video data rate	
HDMI and USB-C - HDMI	10.2 Gbps (3.4 Gbps per color)
DisplayPort and USB-C - DP ...	10.8 Gbps (2.7 Gbps per lane)

NOTE: ¹Subject to the maximum data rate limit. Use our calculator (www.extron.com/8KdataRate) to determine video parameters supported by this data rate.

HDMI cables

Connector type	1 male HDMI type A to 1 male HDMI type A
Voltage	30 V
Regulatory compliance	UL
Temperature rating	80 °C

DisplayPort cables

Connector type	1 male latching DisplayPort to 1 male latching DisplayPort 1 male latching DisplayPort to 1 HDMI type A
Voltage	30 V
Regulatory compliance	UL
Temperature rating	80 °C

Mini DisplayPort cables

Connector type	1 male Mini DisplayPort to 1 male latching DisplayPort 1 male Mini DisplayPort to 1 male HDMI type A
Voltage	30 V
Regulatory compliance	UL
Temperature rating	80 °C

Specifications • Retractor Series (Continued)

USB-C cables

Connector type	1 male USB-C to 1 male HDMI type A 1 male USB-C to 1 male latching DisplayPort
Voltage	30 V
Regulatory compliance	UL
Temperature rating	80° C

Cable — Analog

VGA cables

Connector type	1 male 15-pin HD to 1 male 15-pin HD
Voltage	30 V
Regulatory compliance	UL
Temperature rating	80 °C

VGA-A cables

Connector type	1 male 15-pin HD with 24 inch male 3.5 mm stereo audio pigtail to 1 male 15-pin HD with 8 inch male 3.5 mm stereo audio pigtail
Voltage	30 V
Regulatory compliance	UL
Temperature rating	80 °C

Audio cables

Connector type	1 male 3.5 mm stereo audio TRS (tip, ring, sleeve) to 1 male 3.5 mm TRS
Voltage	30 V
Regulatory compliance	UL
Temperature rating	80 °C

Cable

USB 3.2 Gen 1 cables

Standard	USB 3.2 Gen 1
Connector type	1 male USB 3.2 Gen 1 Type A to male Type B
USB data rate.....	SuperSpeed (5 Gbps)
Voltage	30 V
Regulatory compliance	c-UL, UL
Temperature rating	75 °C

USB-C cables

Standard	USB power only
Connector type	1 male USB-C to 1 female USB-C
Voltage	30 V
Power capacity.....	100 watts (5 A)
Regulatory compliance	c-UL, UL
Temperature rating	80 °C

USB cables

Standards.....	USB 2.0
Connector type	1 male USB 2.0 Type A to 1 male Type A
USB data rate.....	High speed (480 Mbps)
Regulatory compliance	CSA CMG, CSA FT4
Temperature rating	75 °C

Network cables

Standards.....	CAT 6
Connector type	1 male shielded RJ-45 to 1 male shielded RJ-45
Voltage	30 V
Regulatory compliance	UL
Temperature rating	80 °C

Specifications • Retractor Series (Continued)

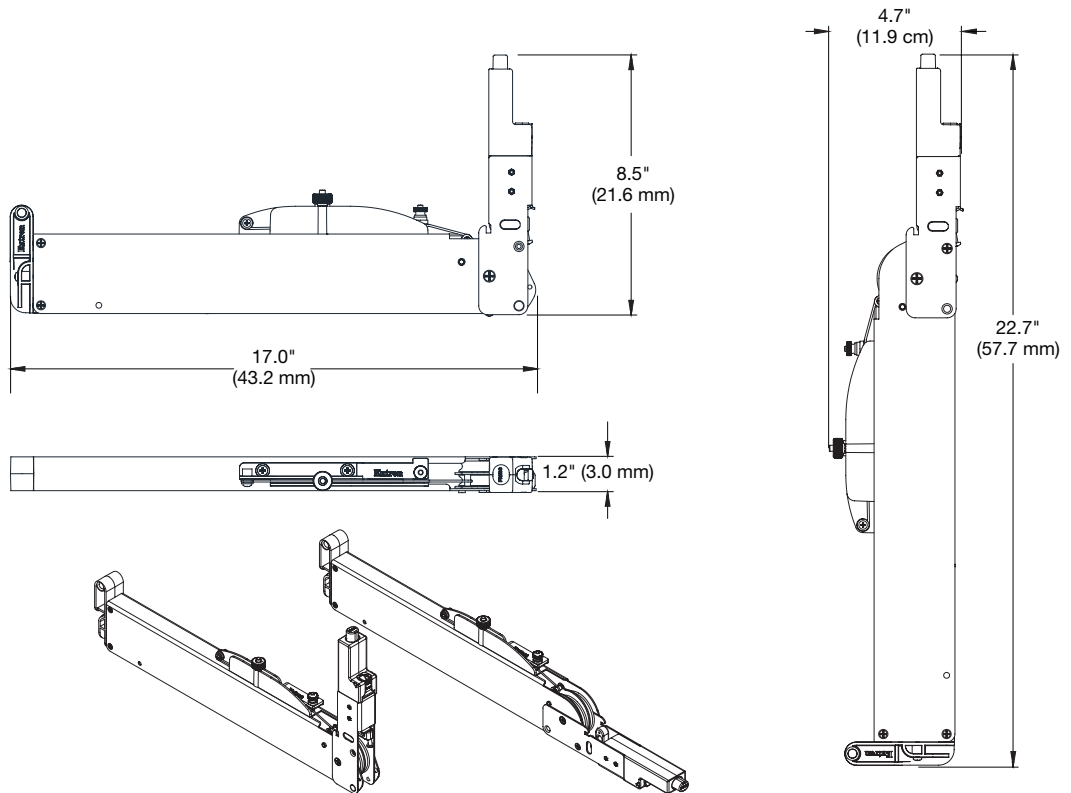
- DC Connector cables
 - Connector type 1 male DC power connector to 1 female DC power connector
 - Voltage 30 V
 - Regulatory compliance c-UL, UL
 - Temperature rating 80 °C
- DC Lenovo connector cables
 - Connector type 1 male DC Slim-tip to 1 female DC Slim-tip
 - Voltage 30 V
 - Regulatory compliance c-UL, UL
 - Temperature rating 80 °C

General

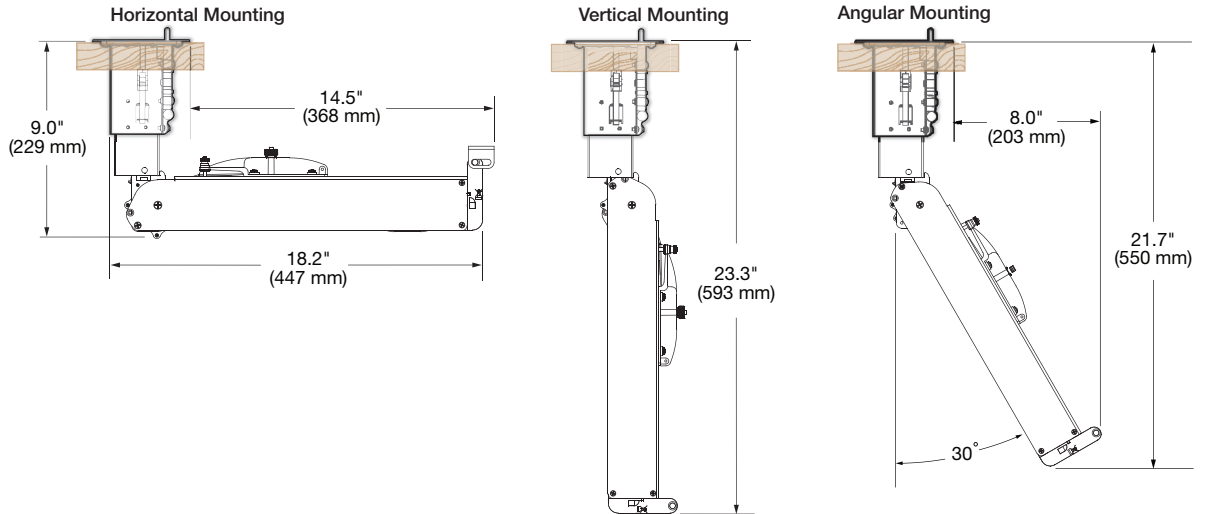
Mounting Mountable into Extron Cable Cubby, TLP Cable Cubby TouchLink® and AVEdge 100 enclosures, and the TMK 120 R Table Mount Kit (all sold separately)

NOTE: An optional bracket is required for horizontal mounting. Go to www.extron.com for information on installing additional brackets.

- Enclosure type Metal and plastic
- Enclosure dimensions 22.7" H x 1.2" W x 4.7" D
(57.7 cm H x 3.0 cm W x 11.9 cm D)
See the following diagrams for additional dimensions.



Specifications • Retractor Series (Continued)



Product weight	2.8 lbs (1.3kg)
Regulatory compliance.....	RoHS, WEEE
Life expectancy.....	Tested to exceed 7500 cycles
Warranty	3 years parts and labor including preinstalled cable assembly

NOTE: Specifications are subject to change without notice.

NOTE: Shipping weights and dimensions are available at www.extron.com.

4889-D11