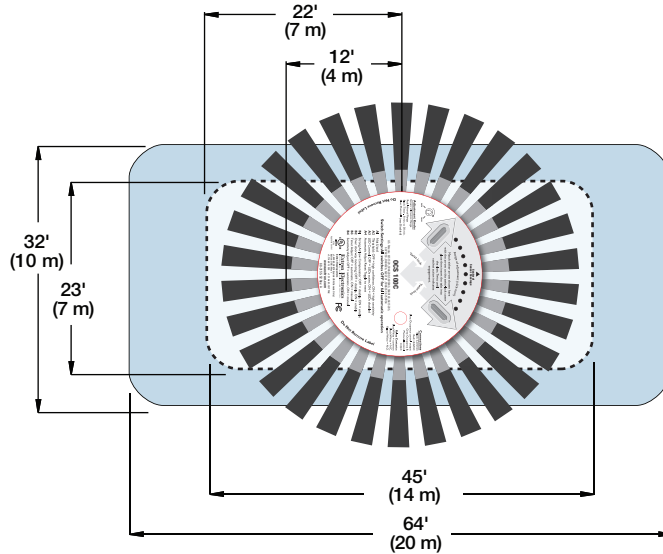


## Specifications

### OCS 100 Occupancy Sensors

#### OCS 100C

Square feet coverage area ..... 2000 square feet



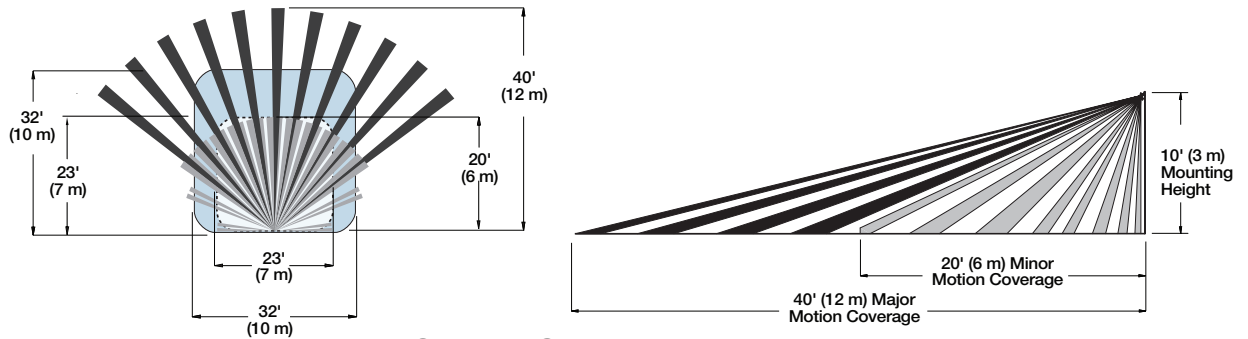
#### Sensor Coverage

- US Minor Motion
- IR Minor Motion
- US Major Motion
- IR Major Motion

**NOTE:** These coverage dimensions are achieved when the OCS 100C is installed 10 ft (3.04 m) above the coverage area.

#### OCS 100W

Square feet coverage area ..... 1600 square feet



#### Sensor Coverage

- US Minor Motion
- IR Minor Motion
- US Major Motion
- IR Major Motion

# Specifications • OCS 100 Occupancy Sensors (Continued)

## Sensor

InteliDAPT® technology .....	Auto reset from test setting Self-adjusting timer Self-adjusting passive infrared thresholds Automatic false-on and false-off correction
LED lamp.....	Red - infrared motion Green - ultrasonic detection
Timer timeout	
OCS 100C .....	Automatic mode: 8 to 42 minutes (self-adjusts based on occupancy) Manual mode: 8 to 42 minutes Test mode: 8 seconds
OCS 100W.....	Automatic mode: 4 to 30 minutes (self-adjusts based on occupancy) Manual mode: 4, 8, 15 and 30 minutes Test mode: 8 seconds
Ultrasonic (US)	
OCS 100C .....	4 sensors - 32 kHz output
OCS 100W.....	2 sensors - 32 kHz output
Passive infrared (PIR)	
OCS 100C .....	Dual-element pyrometer and 12-element cylindrical segmented Fresnel lens, integral filter excludes excess PIR energy from sunlight
OCS 100W.....	Dual-element pyrometer and 12-element cylindrical rugged lens

## Relay

Relay .....	1 Normally Open and Closed contact, single pole, double throw 500 mA rated at 24 VDC, three-wire isolated relay
-------------	---

## Photocell

Photocell.....	Adjustable natural-light override ranges from 1 to 100 foot-candles (10 to 1000 Lux)
----------------	--

## Adaptive functions

Learning.....	4 weeks for response error conditions, air current adaption and timer optimization
Post-learning occupancy periods...	24-hour circadian occupancy periods learned
Adjustments in post-learning period .....	Generally occupied periods Generally unoccupied periods

## Digital output

Quantity/type .....	2 digital outputs
Connectors.....	Blue wire = Occupancy only Gray wire = Occupancy + Photocell
Output voltage range .....	0 - 24 VDC Active high logic control signal with short-circuit protection, open collector when unoccupied

## General

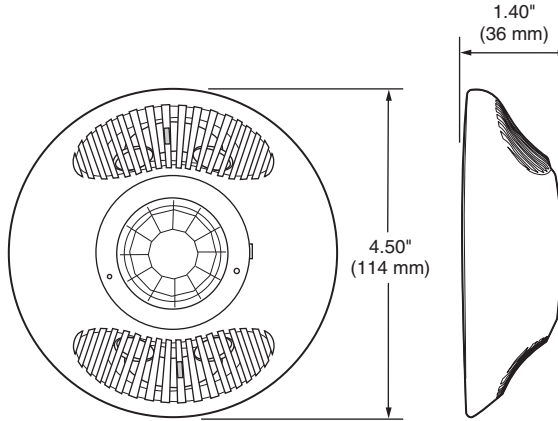
Sensor power input requirements...	20-24 VDC, 33 mA nominal
------------------------------------	--------------------------

**NOTE:** If power is supplied by an optional 12 VDC power supply, then use the included PC 1224 to convert 12 VDC to 24VDC.

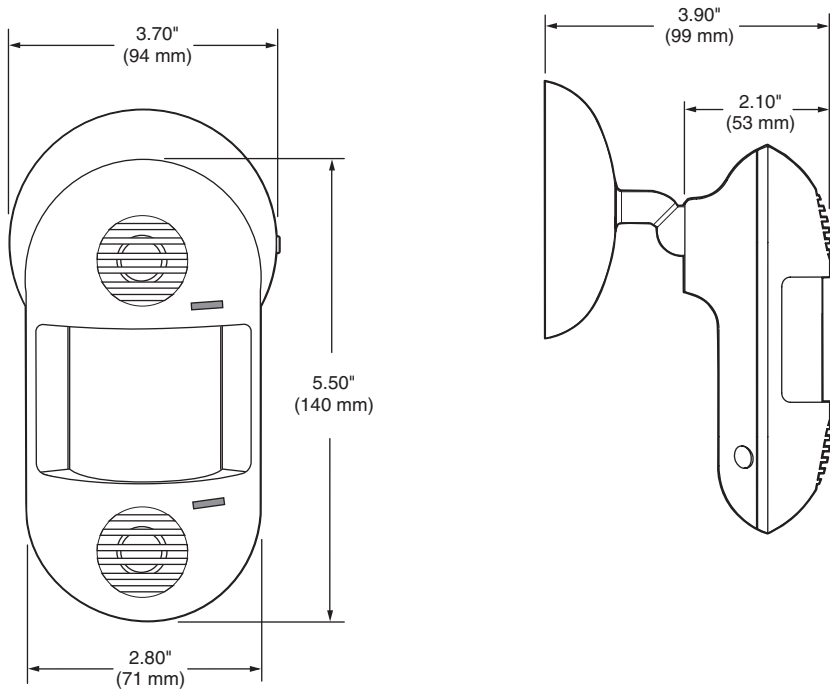
PC 1224 power requirements .....	Input: 12 VDC, 1.5 A max Output: 12 VDC, 1.25 A max 24 VDC, 75 mA max
Wiring .....	Color coded, pre-stripped leads - 6" (15 am) in total length
Temperature/humidity .....	Operation: +32 to +104 °F (0 to +40 °C) / 0% to 95 %, noncondensing For indoor use only
Cooling .....	Convection, no vents

# Specifications • OCS 100 Occupancy Sensors (Continued)

Mounting .....	Mounting base provided Recommended mounting height: 8 feet with a max mounting height of 12 feet
Enclosure type .....	Plastic
Enclosure dimensions	
OCS 100C .....	4.50" W x 1.40" D (114 mm W x 36 mm D)



OCS 100W .....	2.80" W x 5.50" L x 2.10" D (71 mm W x 140 mm x 53 mm D)
----------------	---



PC 1224 .....	1.00" W x 1.00" L x 0.50" D (25 mm W x 25 mm L x 13 mm D)
Product weight .....	0.1 lb (<0.1 kg)
Color .....	Off-white
Regulatory compliance .....	CE, c-UL, UL, FCC Class A, KC Complies with appropriate requirements of RoHS, WEEE, and California Title 24
Product warranty .....	3 years parts and labor
Everlast power supply warranty .....	7 years parts and labor

**NOTE:** Specifications are subject to change without notice.

**NOTE:** Shipping weights and dimensions are available at [www.extron.com](http://www.extron.com).