

Extron

Specifications

MMK 5 and 6

MMK 5

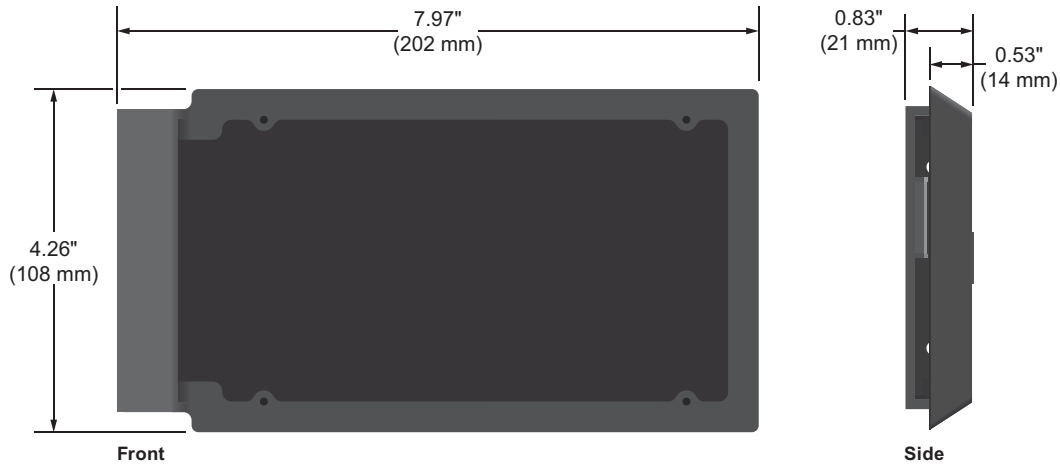
Mounting

Mounting Mounts into mullion frames
 Enclosure material Metal

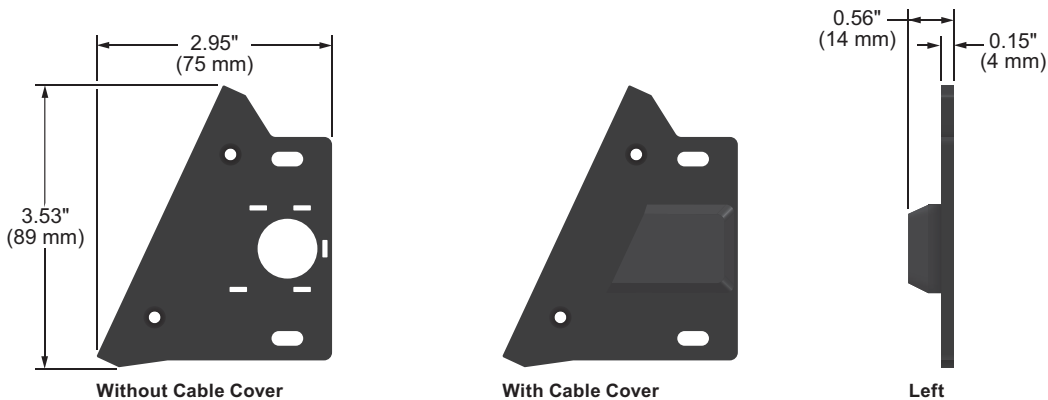
Enclosure Dimensions

Enclosure dimensions 4.26" H x 7.97" W x 0.83" D
 (108 mm H x 202 mm W x 21 mm D)

MMK 5



Angle Brackets



General

Product weight 0.50 lbs (0.23 kg)
 Regulatory compliance RoHS and WEEE
 Product warranty 3 years parts and labor

NOTE: Shipping weights and dimensions are available at www.extron.com.

Specifications • MMK 5 and 6 (Continued)

MMK 6

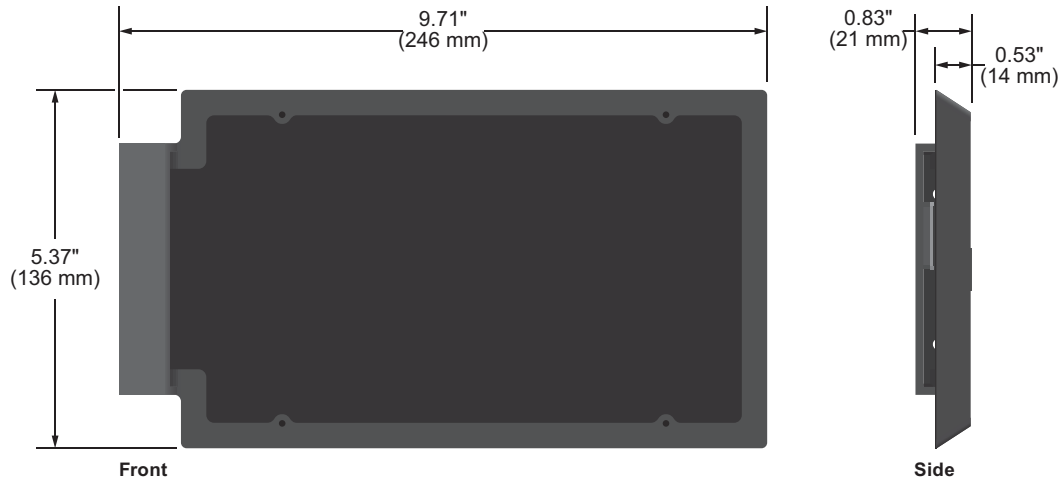
Mounting

Mounting Mounts into mullion frames
Enclosure material Metal

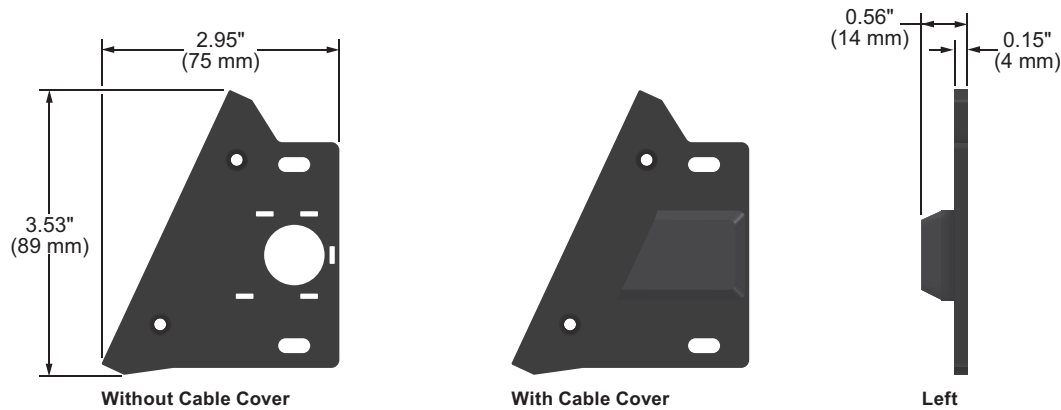
Enclosure Dimensions

Enclosure dimensions..... 5.37" H x 9.71" W x 0.83" D
(136 mm H x 246 mm W x 21 mm D)

MMK 6



Angle Brackets



General

Product weight 0.70 lbs (0.32 kg)
Regulatory compliance RoHS and WEEE
Product warranty 3 years parts and labor

NOTE: Shipping weights and dimensions are available at www.extron.com.

6484-D1