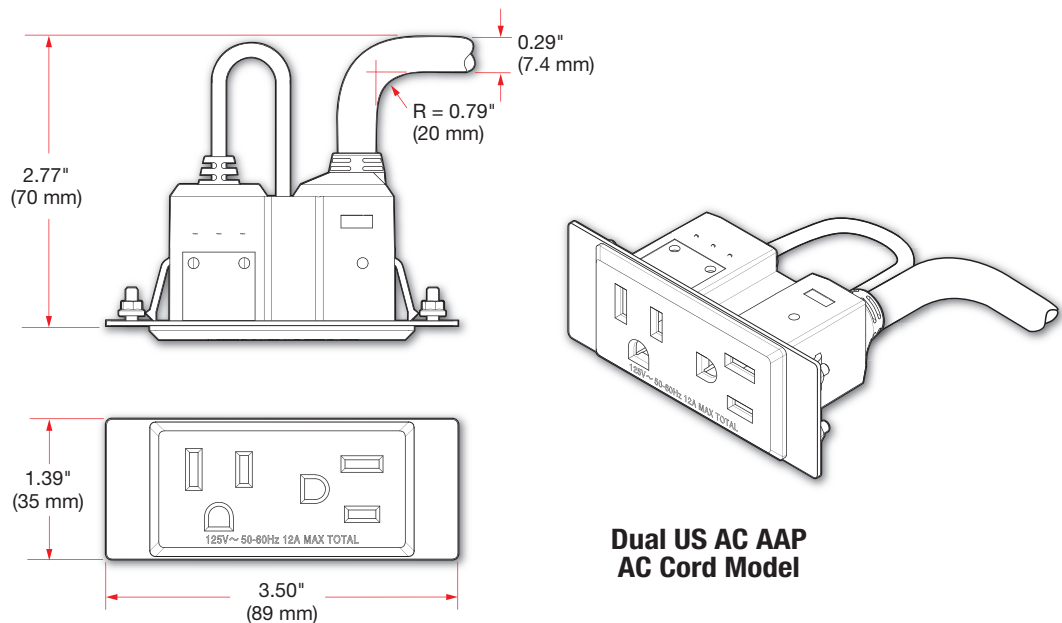


Specifications

Dual US and JP AC AAP

General

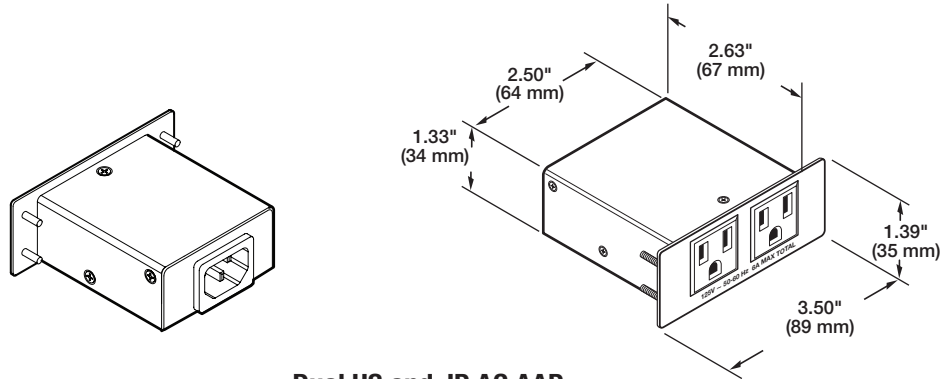
Power	125 VAC, 50-60 Hz, 12 A max. total
Mounting options	Rack or furniture mountable with optional AAP mounting frames
Enclosure dimensions	
US AC cord model	
Faceplate.....	1.39" H x 3.50" W (35 mm H x 89 mm W) (double space AAP plate) Allow at least 2.77" (70 mm) depth in the wall or furniture.
Connector type.....	2 NEMA 5-15 R, polarized, 3-pin to 1 NEMA 5-15 P, non-polarized, 3-pin
Cable length	9' (2.7 m)
Cable outer diameter	0.29" (7.4 mm)



US and JP AC detachable cord models

Faceplate.....	1.39" H x 3.50" W (35 mm H x 89 mm W) (double space AAP plate)
Isolation enclosure	1.33" H x 2.50" W x 2.63" D (34 mm H x 64 mm W x 67 mm D) With AC power cord attached, allow at least 4.50" (114 mm) depth in the wall or furniture.
Cable length	US AC model is 7.5' (2.3 m) JP AC model is 8' (2.4 m)
Cable outer diameter	0.29" (7.4 mm)

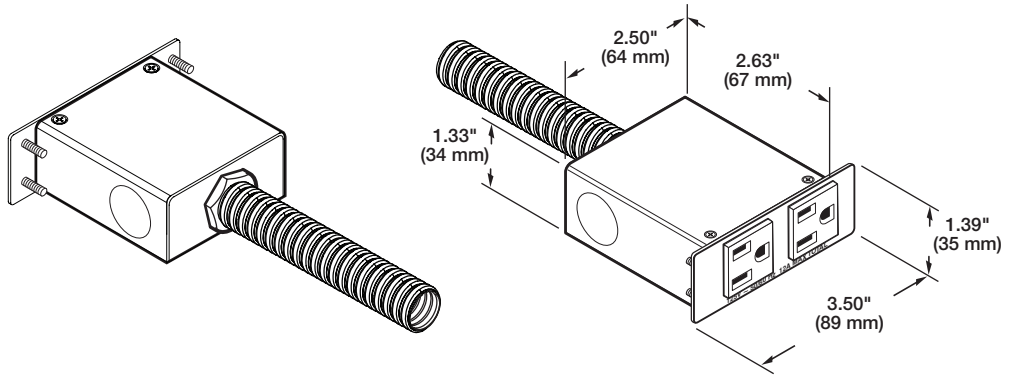
Specifications • Dual US and JP AC AAP (Continued)



**Dual US and JP AC AAP
AC Detachable Cord Models**

US AC conduit model

- Faceplate..... 1.39" H x 3.50" W
(35 mm H x 89 mm W)
(double spaced AAP plate)
Allow at least 6.50" (165 mm) of depth in the wall or furniture for conduit bend radius.
- Conduit length 6' (1.8 m) with 6" (152 mm) three-wire cable pigtail
- Conduit outer diameter 0.61" (15 mm)



**Dual US AC AAP
AC Conduit Model**

- Material..... Cold-rolled steel
- Product weight
 - US AC cord model 1.1 lbs (0.5 kg)
 - US and JP AC detachable cord models 0.7 lbs (0.3 kg)
 - US AC conduit model..... 2.3 lbs (1.0 kg)
- Regulatory compliance
 - US models UL, c-UL
 - Environmental..... Complies with CE Mark in accordance to appropriate requirements of RoHS and WEEE.
- Product warranty 3 years parts and labor

NOTE: Specifications are subject to change without notice.

NOTE: Shipping weights and dimensions are available at www.extron.com.