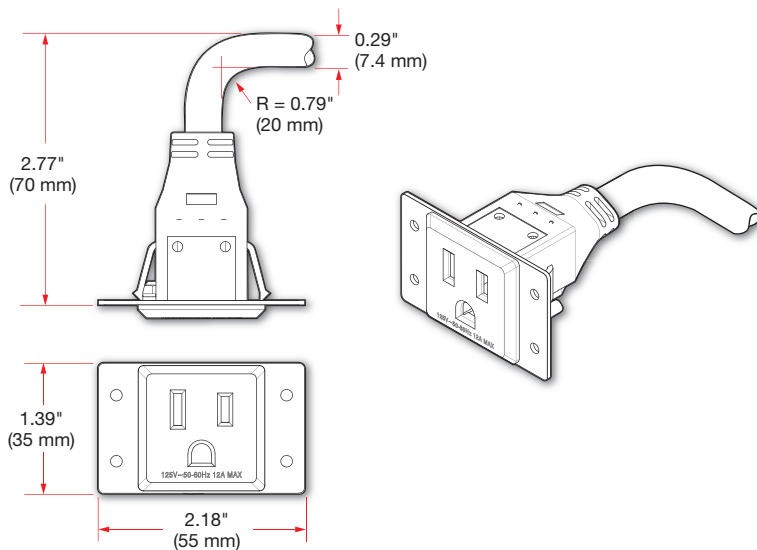


Specifications

AC MAAP

General

Power	125 VAC, 50-60 Hz, 12 A max.
Mounting	Rack or furniture mountable with optional AAP mounting frames
Enclosure type	Metal
Connector type	NEMA 5-15 R, polarized, 3-pin to NEMA 5-15 P, non-polarized, 3-pin
Cable length	AC power cord 9' (2.7 m)
Cable outer diameter	AC power cord 0.29" (7.4 mm)
Enclosure dimensions	
Faceplate	1.39" H x 2.18" W (35 mm H x 55 mm W) (double space MAAP plate) Allow at least 2.77" (70 mm) depth in furniture.



Product weight	1.1 lb (0.5 kg)
Regulatory compliance	CE, c-UL, UL, RoHS and WEEE
Product warranty	3 years parts and labor

NOTE: All nominal levels are at $\pm 10\%$.

NOTE: Specifications are subject to change without notice.

NOTE: Shipping weights and dimensions are available at www.extron.com.

5187-D2