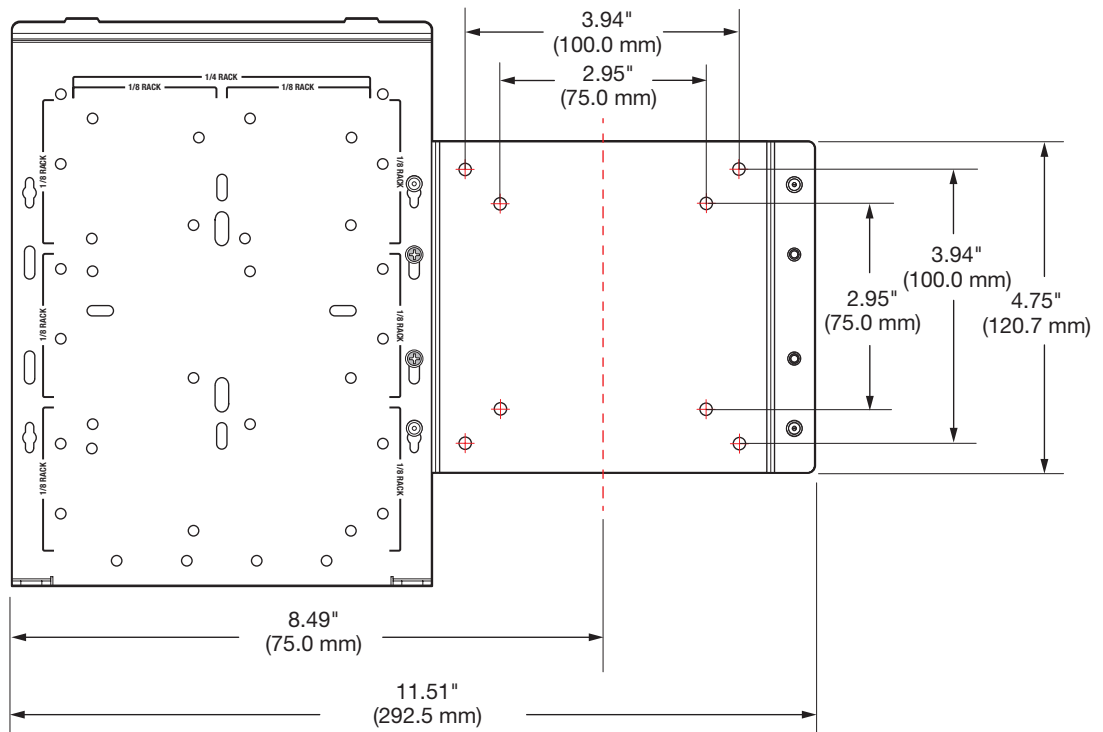
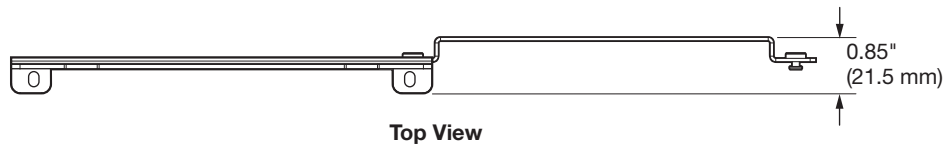


## Specifications

### VM 100 VESA Mounting Kit

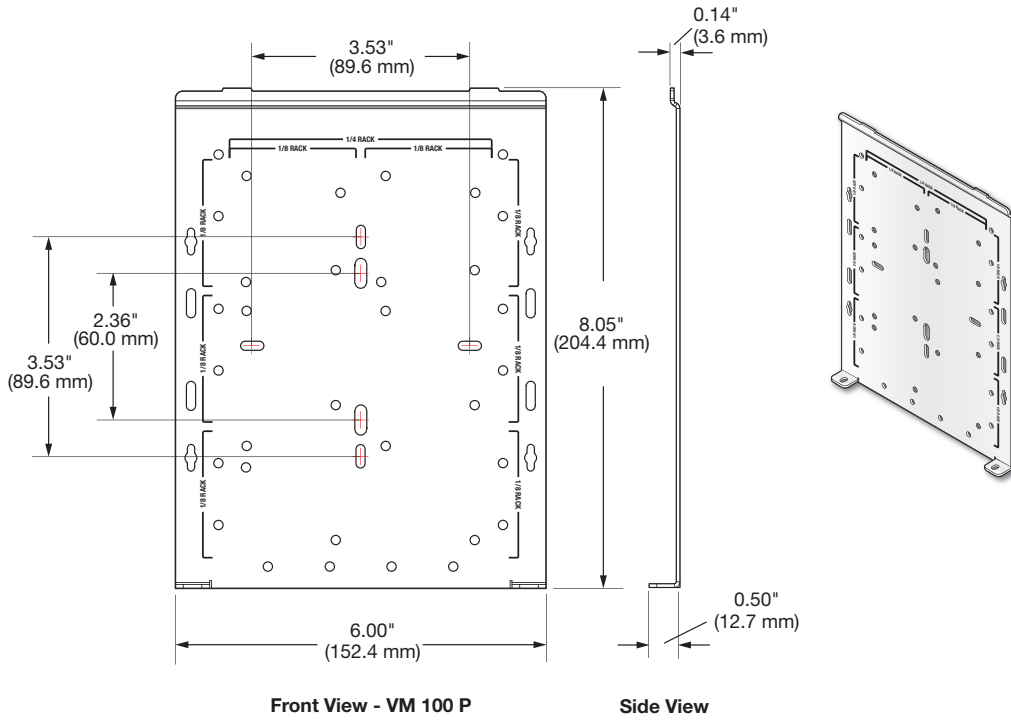
#### General

Mounting .....	Mounts onto VESA MIS-D 75 mm and 100 mm standard mount
Maximum load capacity .....	5 lbs (2.3 kg) total system weight (includes mounting plate, product base plate, and cover)
Material .....	Steel
Dimensions	
VM 100 K .....	8.05" L x 11.51" W x 0.85" D (204.4 mm L x 292.5 mm W x 21.5 mm D)
Spacers (optional use) .....	0.50" diameter x 0.37" depth 12.7 mm diameter x 9.5 mm depth

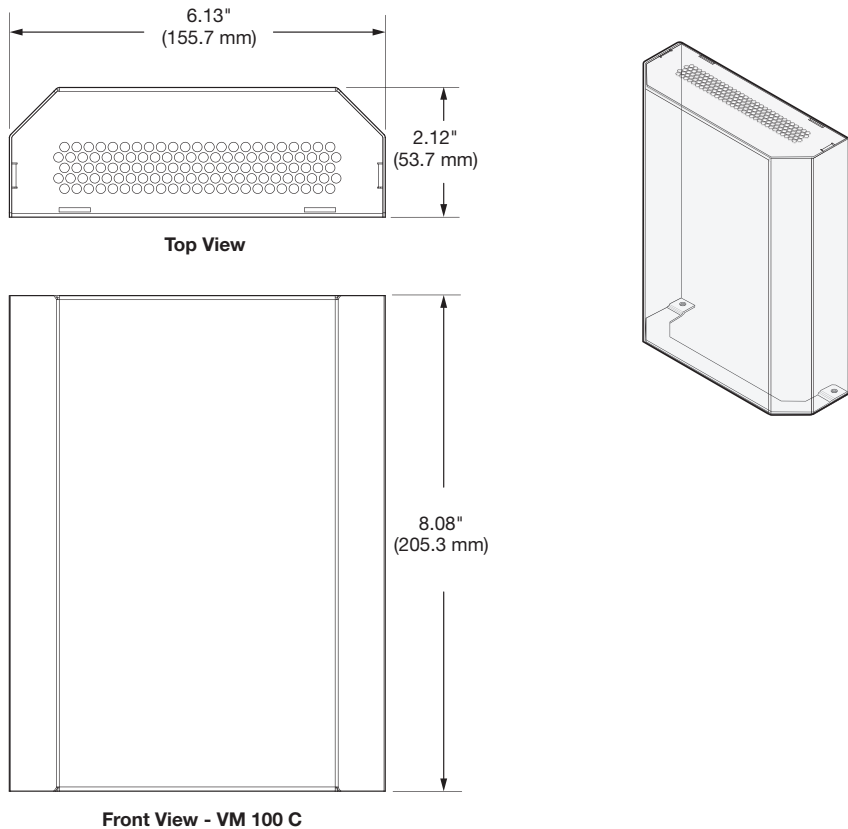


# Specification • VM 100 VESA Mounting Kit (Continued)

VM 100 P..... 8.05" L x 6.00" W x 0.50" D  
 (204.4 mm L x 152.4 mm W x 12.7 mm D)

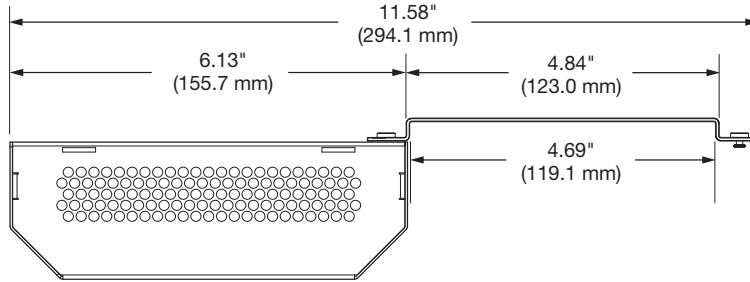


VM 100 C..... 8.08" L x 6.13" W x 2.12" D  
 (205.3 mm L x 155.7 mm W x 53.7 mm D)

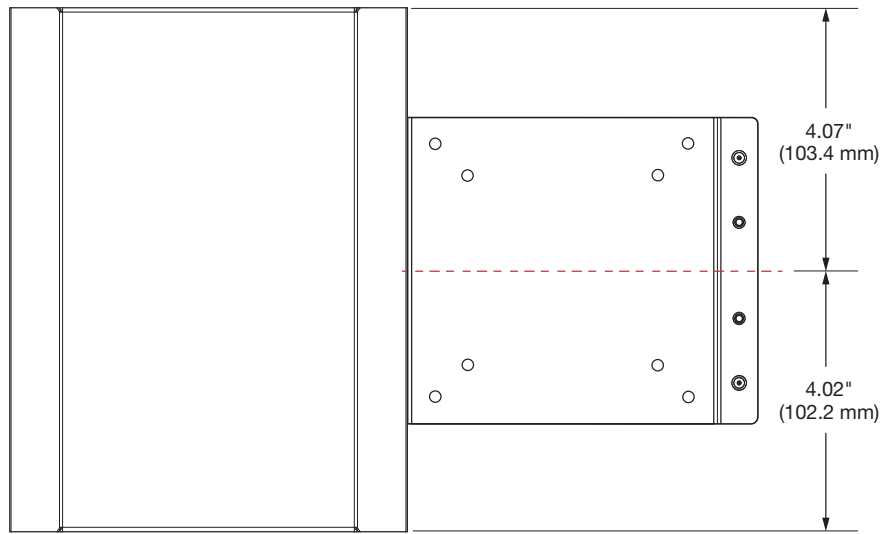


# Specification • VM 100 VESA Mounting Kit (Continued)

VM 100 VESA Mounting Kit with Cover attached



Top View



Front View - VM 100 K with VM 100 C

Product weight	
VM 100 K.....	1.20 lbs (0.54 kg)
VM 100 P.....	0.80 lbs (0.36 kg)
VM 100 C.....	0.90 lbs (0.41 kg)
Regulatory compliance.....	CE, RoHS, WEEE
Warranty .....	3 years parts

**NOTE:** Specifications are subject to change without notice.

**NOTE:** Shipping dimensions and weights are available at [www.extron.com](http://www.extron.com).

4650-D1