

Specifications

One USB-C Female to HDMI Female on 10" Pigtail — MAAP

TRUE 4K specification

Max. 4K Capabilities		
Resolution and Refresh Rate	Chroma Sampling	Max. Bit Depth per Color
4096 x 2160 at 30 Hz	4:4:4	12 bit
3840 x 2160 at 30 Hz		
4096 x 2160 at 60 Hz	4:4:4	8 bit
3840 x 2160 at 60 Hz		

Frame rate¹ 24, 25, 30, 50, or 60 fps
 Chroma sampling¹ 4:4:4, 4:2:2, 4:2:0
 Color bit depth¹ 8, 10, or 12 bits per color
 Signal type HDMI 2.0b, HDCP 2.3
 Max. video data rate 18 Gbps (6 Gbps per color)

NOTE: ¹ Subject to the maximum data rate limit. Use our calculator at www.extron.com/8Kdatarate to determine video parameters supported by this data rate.

Video input

Number/signal type 1 DisplayPort (Alt Mode)
 Connector 1 female USB-C
 Input cable length Up to 12' (37 m)

Video output

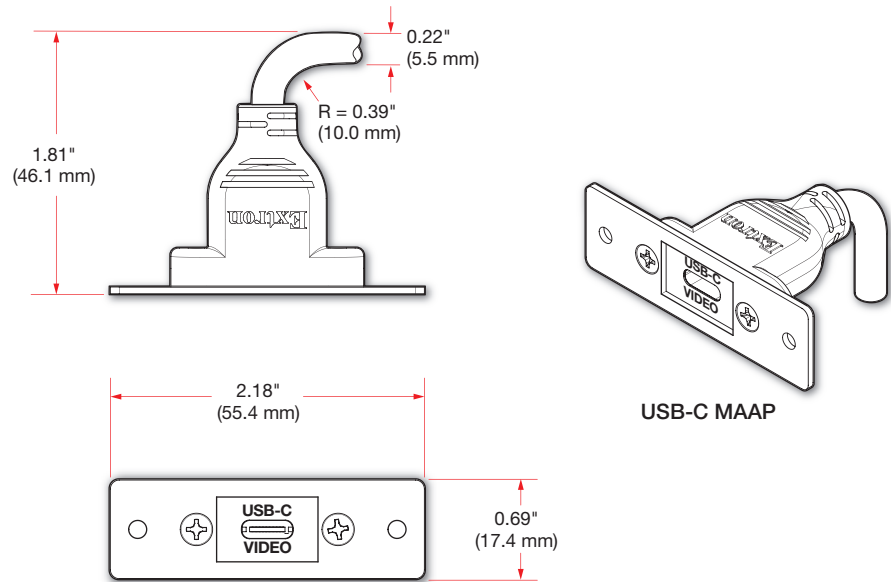
Number/signal type 1 HDMI
 Connector 1 female HDMI Type A
 Output power for active cables 1.1 watts max. for the HDMI port

General

Mounting Mounts into MAAP mounting frames
 Enclosure type Metal
 Connector type USB Type C female to HDMI female
 Cable length 13.5" (343 mm)
 Output cable length Up to 12' (3.7 m)
 Cable outer diameter 0.22" (5.5 mm)
 Resolution range Up to 4K @ 60 Hz, 4:4:4 processing

Specifications • One USB-C Female to HDMI Female on 10" Pigtail – MAAP (Continued)

Faceplate dimensions 0.7" H x 2.2" W x 0.1" D (single space MAAP plate)
 (18 mm H x 56 mm W x 3 mm D)
 Allow 2" (51 mm) depth for cable management.



ATTENTION: Do not bend the cable beyond the recommended depth for cable management.

Product weight <0.10 lb (<0.10 kg)
 Regulatory compliance..... ROHS, WEEE
 Product warranty 3 years parts and labor

NOTE: Specifications are subject to change without notice.

5292-D2