

Specifications

USB-C 100 Series

TRUE 4K specification

Max. 4K Capabilities		
Resolution and Refresh Rate	Chroma Sampling	Max. Bit Depth per Color
4096 x 2160 at 60 Hz	4:4:4	8 bit
3840 x 2160 at 60 Hz		12 bit

Frame rate ¹	24, 25, 30, 50, or 60 fps
Chroma sampling ¹	4:4:4, 4:2:2
Color bit depth ¹	8, 10, or 12 bits per color
Signal type	Up to DisplayPort 1.2 and HDCP 2.3
Max. video data rate	21.6 Gbps (5.4 Gbps per color)

NOTE: ¹ Subject to the maximum data rate limit. Use our calculator at www.extron.com/8Kdata rate to determine video parameters supported by this data rate.

Video

DisplayPort video	DisplayPort Alt Mode, DP 1.2 (1, 2, or 4 lanes)
Max. video data rate	21.6 Gbps (5.4 Gbps per lane)
Resolution range	640x480 ⁸ , 480p ^{7,8} , 576p ⁶ , 720p ^{3,4,5,6,7,8,9} , 1080i ^{6,7,8} , 1080p ^{1,2,3,4,5,6,7,8,9} , 2K ^{1,2,3,4,5,6,7,8} , 3840x2160 ^{1,2,3,4,5} , 4096x2160 ^{1,2,3,4,5}
Frame rate	¹ 23.98 Hz, ² 24 Hz, ³ 25 Hz, ⁴ 29.97 Hz, ⁵ 30 Hz, ⁶ 50 Hz, ⁷ 59.94 Hz, ⁸ 60 Hz, ⁹ 120 Hz (depending on resolution)
Color space	4:4:4, 4:2:2
Color bit depth	8, 10, and 12 bits per color (subject to maximum data rate)
Formats	RGB and YCbCr digital video

Data

USB specification	USB 3.2 (Gen 1), 2.0, 1.1 compatible
USB data rate	Up to 5 Gbps

Power

Maximum power supply	60 watts
Maximum current	3 A

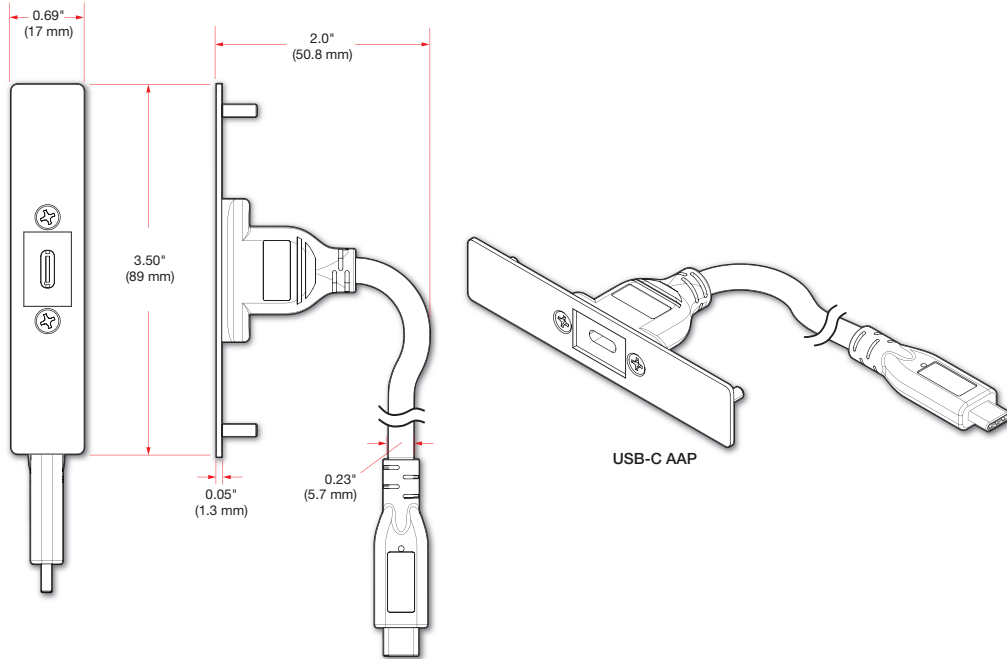
Mechanical

Cable outer diameter	0.23" (5.7 mm)
----------------------------	----------------

Specifications • USB-C 100 Series (Continued)

General

- AAP model
- Mounting Mounts to AAP mounting frames
- Enclosure type..... Metal
- Connector type USB Type C female to USB Type C male
- Cable length 3' (0.91 m)
- Cable outer diameter 0.23" (5.7 mm)
- Faceplate dimensions..... 0.69" H x 3.5" W x 0.05" D (single space AAP plate)
(17 mm H x 89 mm W x 1.2 mm D)
Allow 2" (51 mm) depth for cable management.



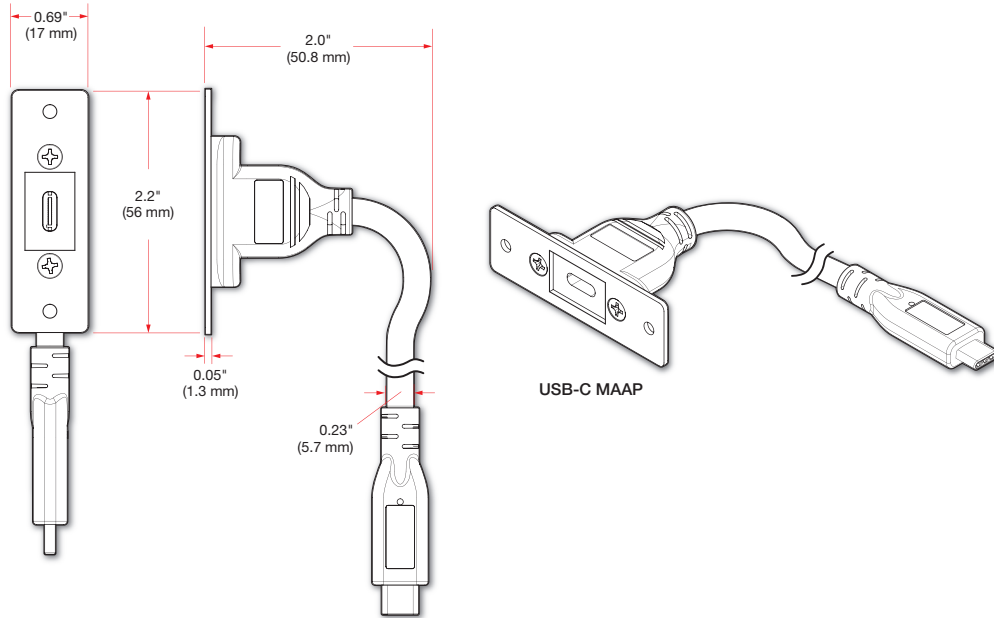
ATTENTION: Do not bend the cable beyond the recommended depth for cable management.

- Material Metal
- Product weight..... 0.1 lb (0.1 kg)

Specifications • USB-C 100 Series (Continued)

MAAP model

- Mounting Mounts to MAAP mounting frames
- Connector type USB Type C female to USB Type C male
- Cable length 3' (0.91 m)
- Cable outer diameter 0.23" (5.7 mm)
- Faceplate dimensions 0.69" H x 2.2" W x 0.1" D (single space MAAP plate)
(17 mm H x 56 mm W x 3 mm D)
Allow 2" (51 mm) depth for cable management.



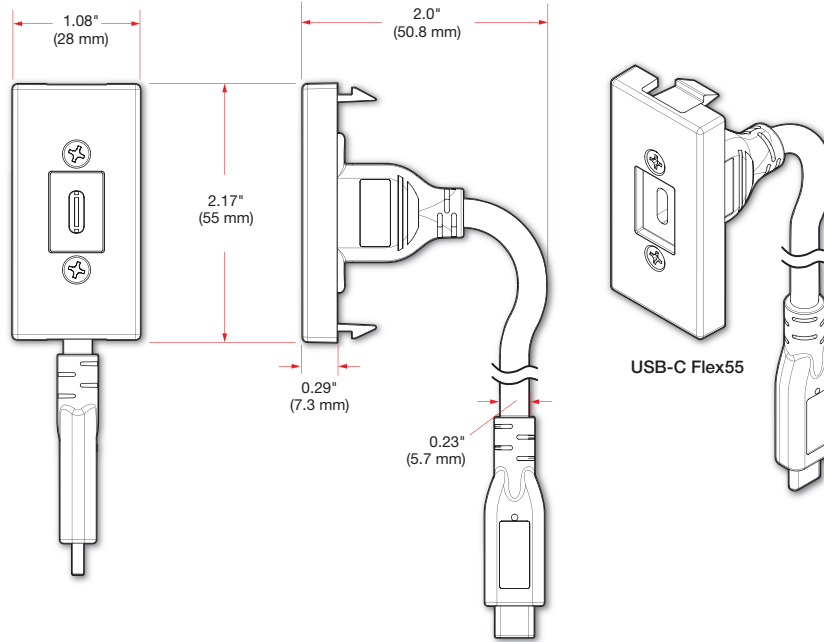
ATTENTION: Do not bend the cable beyond the recommended depth for cable management.

- Enclosure type Metal
- Product weight <0.10 lb (<0.10 kg)

Specifications • USB-C 100 Series (Continued)

Flex55 model

- Mounting Mounts to Flex55 frames and enclosures
- Connector type USB Type C female to USB Type C male
- Cable length 3' (0.91 m)
- Cable outer diameter 0.23" (5.7 mm)
- Faceplate dimensions 2.17" H x 1.08" W x 0.29" D
(55.0 mm H x 28 mm W x 7.3 mm D)
Allow 2" (51 mm) depth for cable management.



ATTENTION: Do not bend the cable beyond the recommended depth for cable management.

- Enclosure type High-impact plastic blend
- Product weight <0.09 lb (<0.04 kg)
- Regulatory compliance ROHS, WEEE
- Product warranty 3 years parts and labor

NOTE: Specifications are subject to change without notice.

5920-D3