

# Specifications

## TLP 350MV

### Display

Screen type .....	Active matrix TFT color display
Size .....	3.5" (8.9 cm), measured diagonally
Resolution .....	320x240
Dot/pixel pitch .....	114 dpi
Aspect ratio .....	Standard
Color depth .....	18 bit, 256k colors
Transparency .....	8 bit alpha channel
Brightness .....	225 nits (cd/m <sup>2</sup> )
Contrast .....	80:1
Backlight .....	LED
Viewing angle .....	±50° horizontal, ±50° vertical
Touch screen .....	Resistive membrane

### Memory

SDRAM .....	16 MB for graphics processing 8 MB for system use
Flash .....	7 MB for project storage 1 MB for system use

### Control — Ethernet interface

Ethernet control/communications port .....	1 female RJ-45 connector
Ethernet data rate .....	10/100Base-T, half/full duplex with autodetect
Ethernet protocol .....	ICMP, IP, TCP (control), UDP, DHCP, Telnet
Default settings .....	Link speed and duplex level: autodetected IP address = 192.168.254.254 Subnet mask = 255.255.0.0 Default gateway = 0.0.0.0 DHCP = off
Program control .....	Extron Global Configurator 3.0.4 or higher GUI Configurator v1.1 or higher for Windows® Extron Simple Instruction Set (SIS™) Microsoft® Internet Explorer® ver. 6 or higher, Telnet

### Control — touchpanel

Motion sensor .....	On/off
Light sensor .....	On/off
External buttons .....	8 backlit, customizable

### Video input — preview input

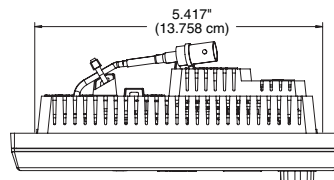
Number/signal type .....	1 S-video or composite video
Connectors .....	2 female BNC on pigtailed
Nominal levels .....	1 Vp-p for Y of S-video and for composite video 0.3 Vp-p for C of S-video
Impedance .....	75 ohms
Standards .....	NTSC, PAL

## Audio output

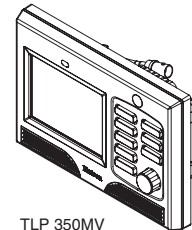
Speaker output .....	1 mono, 89 dB SPL, 0.1 watt, 0.1 m, half space
Frequency response .....	900 Hz to 6 kHz, $\pm 5$ dB
Playback format(s) .....	WAV files: 8 bit PCM, mono, 8 kHz sampling

## General

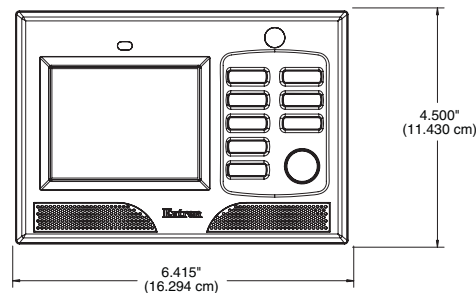
Power .....	Supplied by an included Power over Ethernet (PoE) adapter or an optional external 12 VDC, 1 A power supply
Power supply .....	External Input: 100-240 VAC, 50-60 Hz Output: PoE 802.3af, 48 VDC, 0.35 A, 16.8 watts
Power consumption .....	5.0 watts, 48 VDC (PoE)
Power over Ethernet (PoE) input requirements	Complies with PoE 802.3af, class 2
Temperature/humidity .....	Storage: -13 to +158 °F (-25 to +70 °C) / 10% to 90%, noncondensing Operating: +32 to +122 °F (0 to +50 °C) / 10% to 90%, noncondensing
Cooling .....	Convection, vents on top and bottom
Mounting	
Rack mount .....	Yes, with optional kit
Furniture or wall mount .....	Yes, with included hardware or optional standard 3-gang electrical box
Enclosure type .....	Plastic
Enclosure dimensions	
Faceplate .....	4.5" H x 6.4" W x 0.7" D (11.4 cm H x 16.3 cm W x 1.8 cm D)
Enclosure .....	Excluding knob and mounting flange: 2.7" H x 5.4" W x 1.2" D* (2.9 cm H x 13.8 cm W x 3.5 cm D*) *In-wall depth with connectors: 1.75" (4.4 cm) (Allow at least 2.75" [7.0 cm] depth in the wall/furniture.) Mounts within a standard US 3-gang wall box.



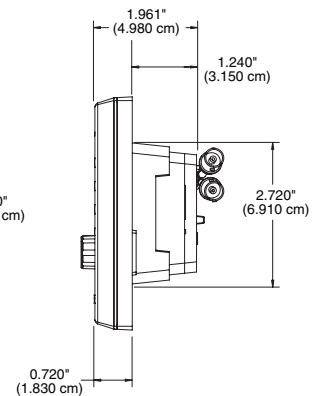
TOP VIEW



TLP 350MV



FRONT VIEW



SIDE VIEW

Product weight .....	1.0 lb (0.4 kg)
Shipping weight .....	3 lbs (2 kg)

Vibration .....	ISTA 1A in carton (International Safe Transit Association)
Regulatory compliance	
Safety .....	CE, c-UL, UL
EMI/EMC .....	CE, C-tick, FCC Class A, ICES, VCCI
Environmental.....	Complies with the appropriate requirements of RoHS and WEEE.
Warranty.....	3 years parts and labor; touchscreen display and overlay components are covered for 1 year

**NOTE:** All nominal levels are at  $\pm 10\%$ .

**NOTE:** Specifications are subject to change without notice.

8.0-100711-D6-111612