

Specifications

TLP 1000MV

Display

Screen type	Active matrix TFT color display
Size	10.1" (25.7 cm), measured diagonally
Resolution	1024x600
Dot/pixel pitch	118 dpi
Aspect ratio	Widescreen
Color depth	18 bit, 256k colors
Transparency	8 bit alpha channel
Brightness	200 nits (cd/m ²)
Contrast	500:1
Backlight	High bright LED
Viewing angle	±70° horizontal, +50°/-60° vertical
Touch screen	Resistive membrane

Memory

SDRAM	128 MB for graphics processing 8 MB for system use
Flash	32 MB for project storage 16 MB for system use

Control — Ethernet interface

Ethernet control/communications port	1 RJ-45 female connector
Ethernet data rate	10/100Base-T, half/full duplex with autodetect
Ethernet protocol	ICMP, IP, TCP (control), UDP, DHCP, Telnet
Default settings	Link speed and duplex level: autodetected IP address = 192.168.254.254 Subnet mask = 255.255.0.0 Default gateway = 0.0.0.0 DHCP = off
Program control	Extron Global Configurator v3.1 or higher GUI Configurator v1.2 or higher for Windows® Extron Simple Instruction Set (SIS™) Microsoft® Internet Explorer® ver. 6 or higher, Telnet

Control — touchpanel

Motion sensor	On/off
Light sensor	On/off

Video input — see S-video or composite video MTP transmitters' specifications

Number/signal type	1 proprietary analog signal from an Extron MTP AV transmitter
Connectors	1 female RJ-45
Standards	NTSC, PAL

Audio input — see S-video or composite video MTP transmitters' specifications

Number/signal type	1 stereo, balanced/unbalanced, line level, as part of a set of proprietary signals from an Extron MTP
Connector	1 female RJ-45 (shared with video input)

Audio output

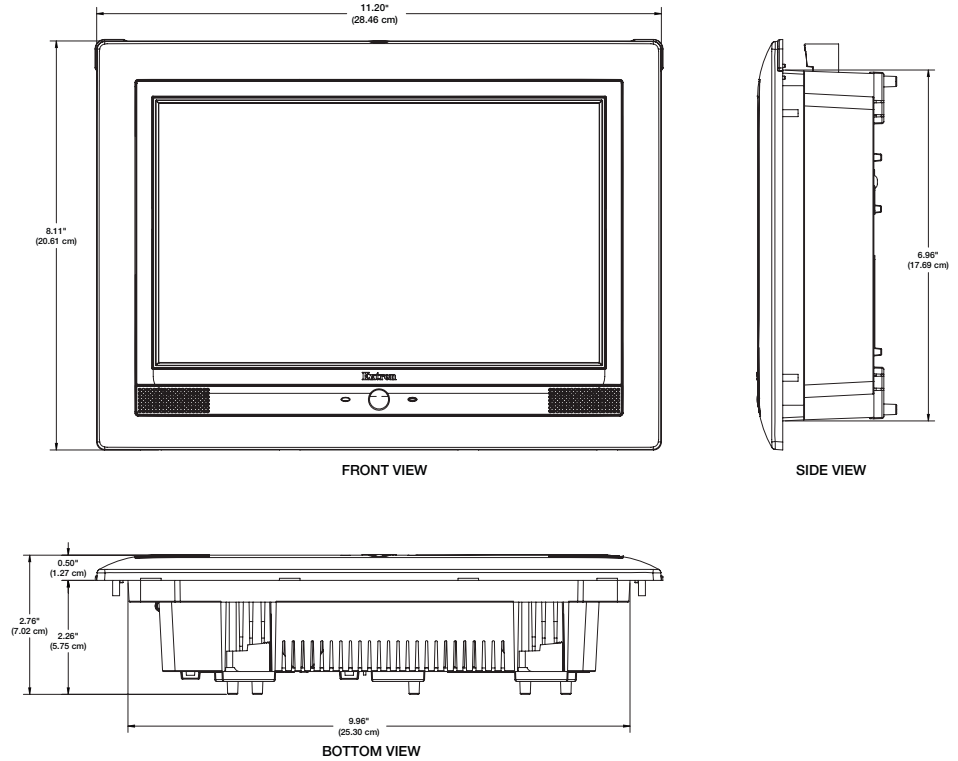
Speaker output	2 mono, 86 dB SPL, 0.1 watt, 0.1 m, half space
Frequency response	750 Hz to 20 kHz, ± 5 dB
Playback format(s)	WAV files: 8 bit PCM, mono, 8 kHz sampling

General

Power	Supplied by an included power over Ethernet (PoE) adapter or by an optional external 12 VDC, 1 A power supply
Power supply	External Input: 100-240 VAC, 50-60 Hz Output: PoE 802.3af compliant, 48 VDC, 0.35 A, 16.8 watts
Power consumption	
Device	12.7 watts, 48 VDC (PoE)
Device and power supply	15.3 watts, 100-240 VAC, 50-60 Hz
Power over Ethernet (PoE) input requirements	Complies with PoE 802.3af, class 3
Temperature/humidity	Storage: -4 to +140 °F (-20 to +60 °C) / 10% to 90%, noncondensing Operating: +32 to +122 °F (0 to +50 °C) / 10% to 90%, noncondensing
Cooling	Convection, vents on top and bottom
Thermal dissipation	
Device	43.5 BTU/hr
Device and power supply	52.3 BTU/hr
Mounting	
Rack mount	With optional kit
Furniture or wall mount	With included hardware or optional accessories
Enclosure type	Plastic

Enclosure dimensions

- Faceplate 8.1" H x 11.2" W x 0.5" D
(20.6 cm H x 28.5 cm W x 1.3 cm D)
- Enclosure Excluding mounting flange:
7.0" H x 10.0" W x 2.3" D*
(17.7 cm H x 25.3 cm W x 5.8 cm D*)
*In-wall depth: 2.3" (5.8 cm)
(Allow at least 2.75" [7.0 cm] depth in the wall/furniture.)



- Product weight..... 2.7 lbs (1.2 kg)
- Shipping weight..... 6 lbs (3 kg)
- Vibration ISTA 1A in carton (International Safe Transit Association)
- Regulatory compliance
 - Safety CE, c-UL, UL
 - EMI/EMC CE, C-tick, FCC Class A, ICES, VCCI
 - Environmental..... Complies with the appropriate requirements of RoHS and WEEE.
- Warranty 3 years parts and labor; touchscreen display and overlay components are covered for 1 year

NOTE: All nominal levels are at ±10%.

NOTE: Specifications are subject to change without notice.

8.0-100711-D7-111612