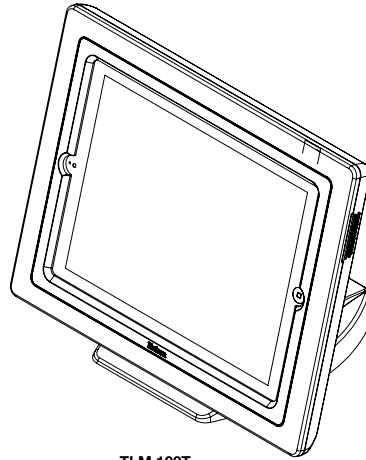


# Specifications

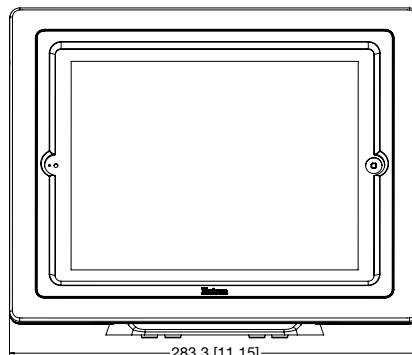
## TLM 100T

### General

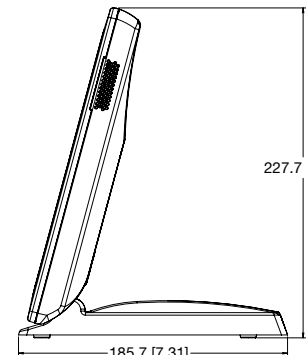
Mounting.....	Flat surface mounting, VESA compatible, swivel capable with SMA-1, 1-gang or 2-gang junction box compatible.
Device Compatibility.....	Compatible with 2 <sup>nd</sup> , 3 <sup>rd</sup> , and 4 <sup>th</sup> generation iPads
Materials.....	Metal and plastic composite
Colors.....	Black
Enclosure dimensions.....	9.0" H x 11.2" W x 7.3" D (22.8 cm H x 28.3 cm W x 18.6 cm D)



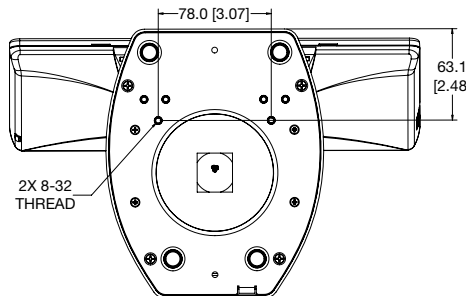
TLM 100T



283.3 [11.15]  
FRONT VIEW

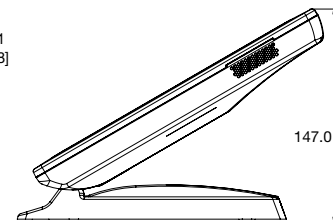


227.7 [8.96]  
185.7 [7.31]  
SIDE VIEW - 75



2X 8-32  
THREAD

78.0 [3.07]  
63.1 [2.48]  
BOTTOM VIEW



147.0 [5.79]  
SIDE VIEW - 30

Product weight.....	2.7 lbs (1.2 kg)
Shipping weight.....	5.0 lb (2.0 kg)
DIM weight (International).....	11.0 lb (5.0 kg)
Vibration .....	ISTA 1A in carton (International Safe Transit Association)
Regulatory compliance	
Safety .....	CE
Environmental.....	Complies with the applicable requirements of RoHS and WEEE.
Warranty.....	3 years parts and labor

**NOTE:** Specifications are subject to change without notice.

8.0-121312-D3