

## Specifications

### MMK 1, 2, and 3

#### MMK 1

##### Mounting

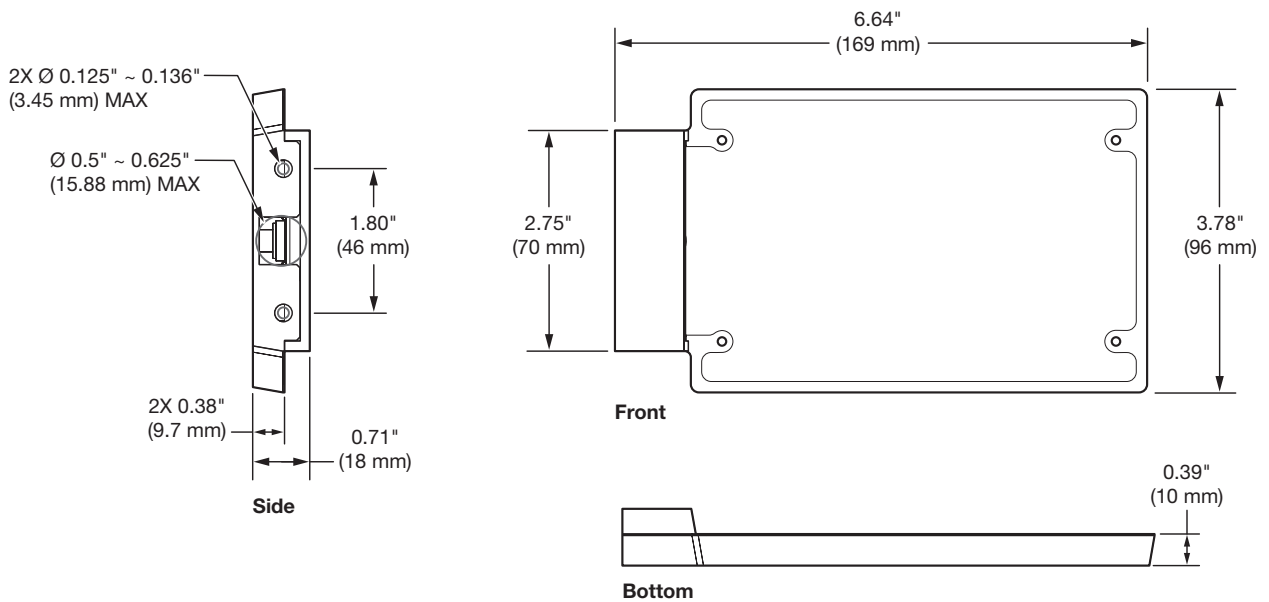
Mounting ..... Mountable into mullion frames  
 Enclosure type ..... Metal

##### Enclosure dimensions

Enclosure Dimensions ..... 3.78"H x 6.64" W x 0.71"D (96 mm H x 169 mm W x 18 mm D)

##### General

Product weight ..... 0.30 lbs (0.13 kg)  
 Regulatory compliance..... CE, RoHS, WEEE  
 Warranty ..... 3 years parts and labor



#### MMK 2

##### Mounting

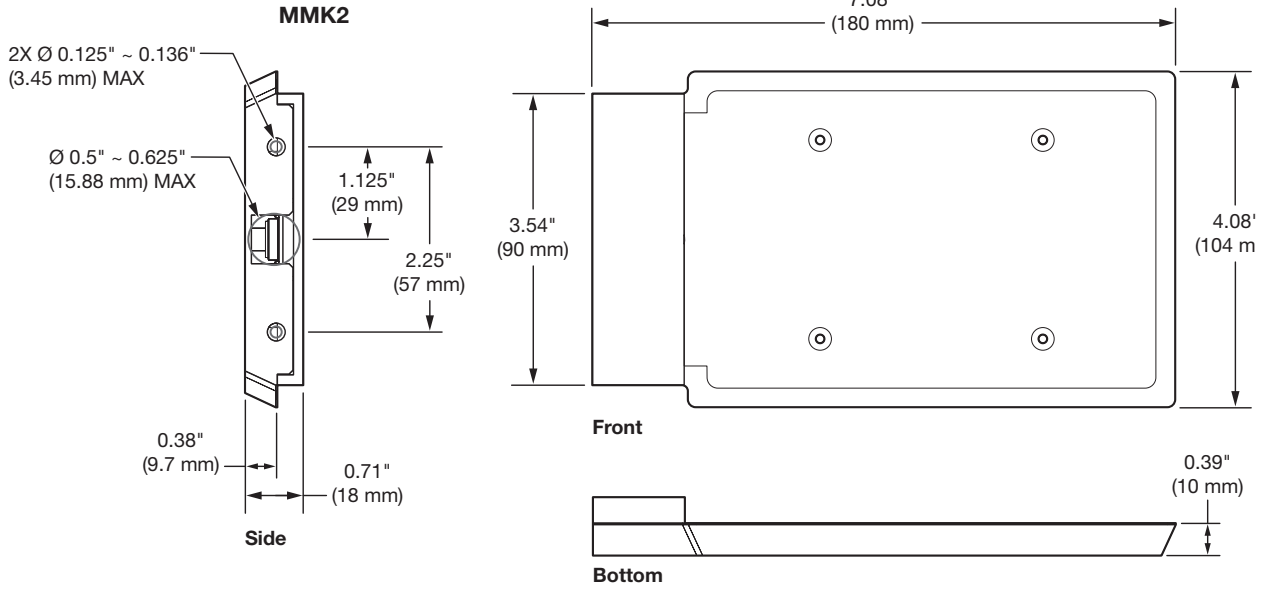
Mounting ..... Mountable into mullion frames  
 Enclosure type ..... Metal

##### Enclosure dimensions

Enclosure Dimensions ..... 4.08"H x 7.08" W x 0.71"D (104 mm H x 180 mm W x 18 mm D)

##### General

Product weight ..... 0.40 lbs (0.18 kg)  
 Regulatory compliance..... CE, RoHS, WEEE  
 Warranty ..... 3 years parts and labor



## MMK 3

### Mounting

Mounting ..... Mountable into mullion frames

Enclosure type ..... Metal

### Enclosure dimensions

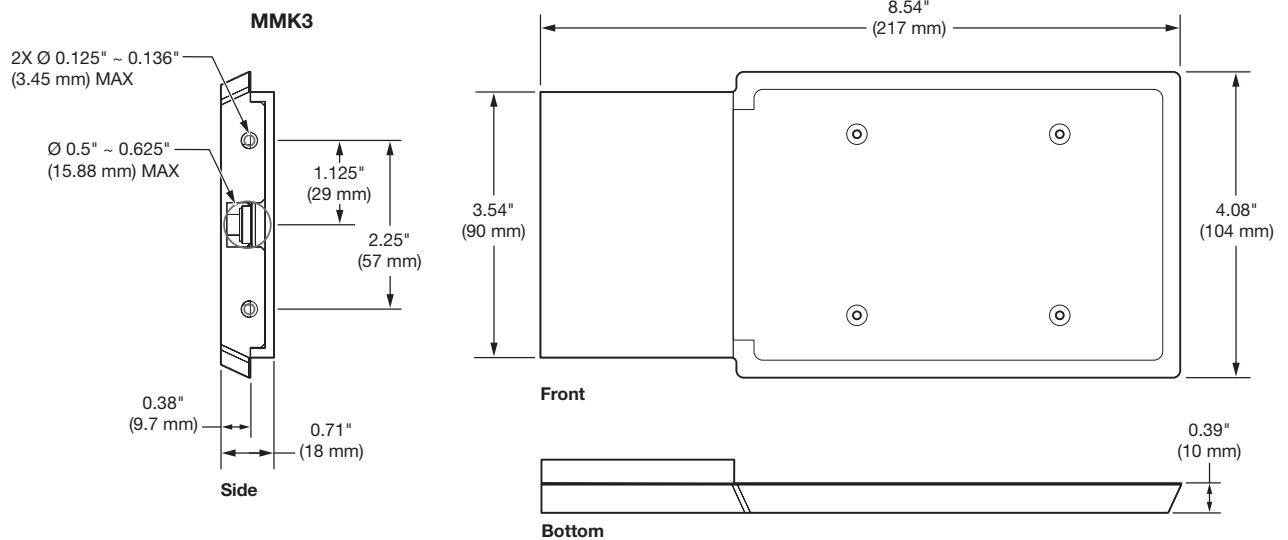
Enclosure Dimensions ..... 4.08"H x 8.54" W x 0.71"D (104 mm H x 217 mm W x 18 mm D)

### General

Product weight ..... 0.55 lbs (0.25 kg)

Regulatory compliance..... CE, RoHS, WEEE

Warranty ..... 3 years parts and labor



4790-D1