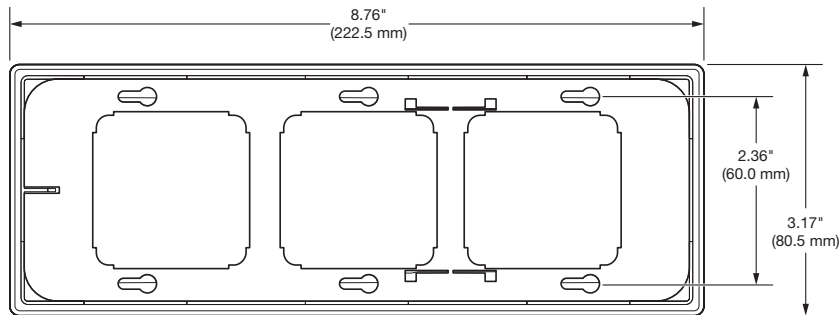
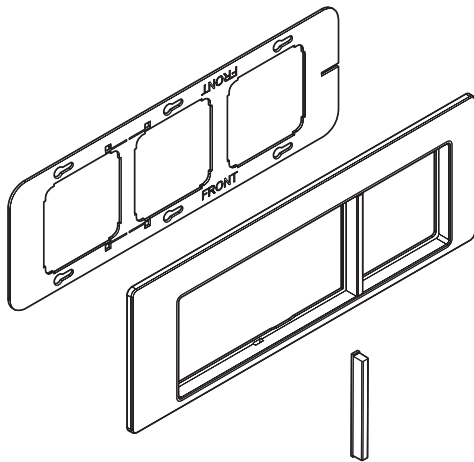


Specifications

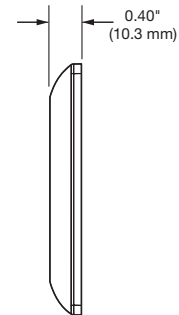
MLM 84 Flex55 Mounting Kit Series

General

Mounting	Mounts to Extron Flex55 enclosures and EU junction boxes. Accommodates Extron Flex55 modules and active EU modules.
Materials	Metal mounting bracket, high impact plastic frame
Dimensions	3.17" H x 8.76" W x 0.40" D (3 gang) (80.5 mm H x 222.5 mm W x 10.3 mm D)



MLM 84 Flex55 Rear



Side

Product weight	0.3 lbs (0.2 kg)
Regulatory compliance.....	CE, RoHS, WEEE
Product warranty	3 years parts and labor

NOTE: Specifications are subject to change without notice.

NOTE: Shipping weights and dimensions are available at www.extron.com.