

# Specifications

## 50' UTP CAT 5e Plenum Cable

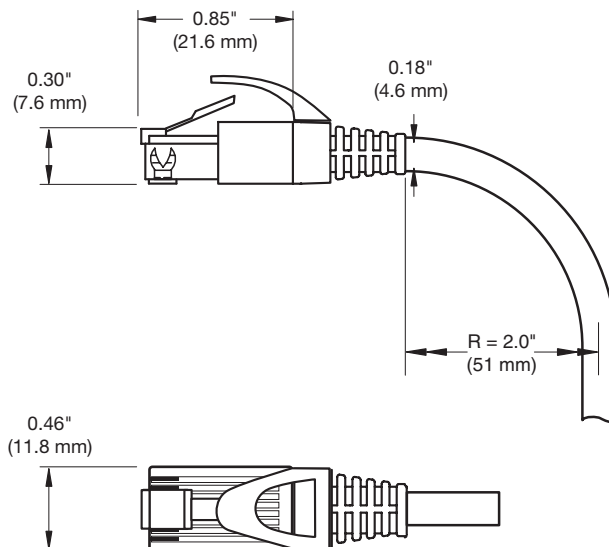
### Performance/electrical

Standards.....	CAT 5e
Regulatory compliance	
Safety .....	CMP
Temperature rating.....	Minimum: -25 °C Maximum: 75 °C
Voltage .....	300 VDC
Pair impedance.....	100 ohms ±15 ohms
Skew.....	=45 ns per 100 m

### General — physical characteristics

Connector type .....	1 male unshielded RJ-45 to 1 male unshielded RJ-45
Contacts .....	Gold plated
Material .....	Conductors: solid, bare copper Jacket: blue PVC
Conductor guage.....	24 AWG
Connector dimensions.....	0.85" L x 0.46" W x 0.30" thick* (21.6 mm L x 11.8 mm W x 7.6 mm thick*) *Excludes tab.

### RJ-45 Male to RJ-45 Male (Unshielded) 50' (15.2 m) Length



Cable outer diameter .....	0.18" (4.6 mm)
Bend radius.....	2.0" (51 mm)

**NOTE:** Dimensions given above exclude the cable length.

**NOTE:** Specifications are subject to change without notice.