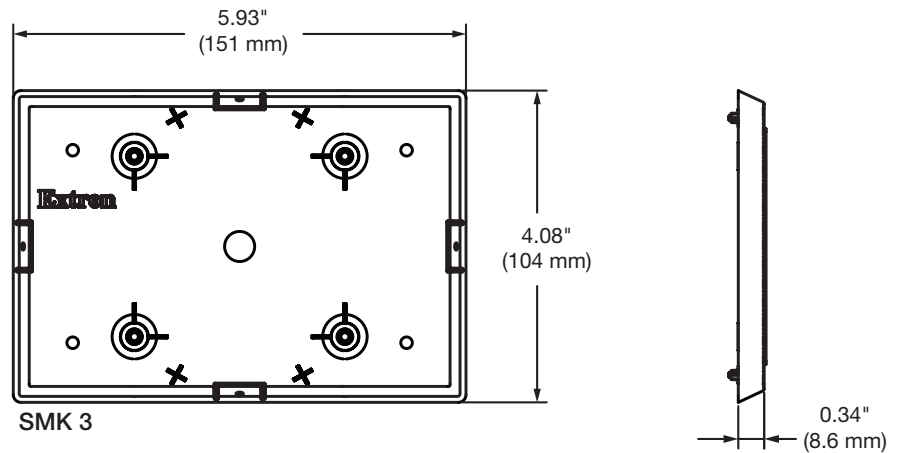


Specifications

SMK 3

General

Mounting Mounts to glass, masonry, and other flat surfaces



Enclosure dimensions 4.08" H x 5.93" W x 0.34" D
(104 mm H x 151 mm W x 8.6 mm D)

Product weight 0.09 lbs (0.04 kg)

Enclosure material..... High impact plastic

Regulatory compliance..... CE, RoHS, WEEE

Warranty 3 years parts and labor

NOTE: Specifications are subject to change without notice.

NOTE: Shipping weights and dimensions are available at www.extron.com.

4191-D1-011118