

USB-C HD 101

USB-C TO HDMI INTERFACE



18 Gbps
4K/60 4:4:4

4K UHD

EVERLAST
POWER SUPPLIES

The Extron USB-C HD 101 converts USB-C® signals to HDMI while providing up to 60 watts of power to the USB-C source device. It supports USB-C Alt Mode video resolutions up to 4K/60 for use by any AV device or system with an HDMI input.

- ▶ Connects USB-C® sources that support DisplayPort Alt Mode to AV systems with HDMI inputs
- ▶ Provides up to 60 watts of power to the USB-C source
- ▶ Supports computer and video resolutions up to 4K/60 @ 4:4:4
- ▶ HDCP 2.3 compliant
- ▶ Internal Extron Everlast™ power supply
- ▶ Patented ZipClip® 200 mounting kit included

Extron

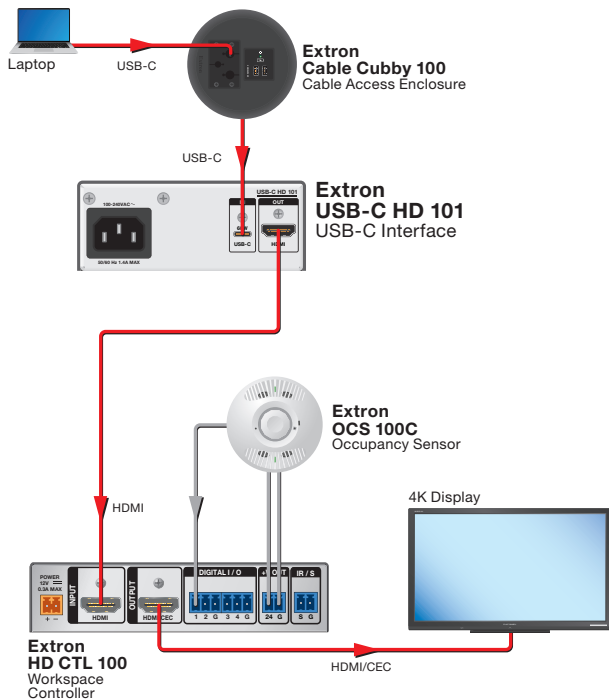
DESCRIPTION

The Extron **USB-C HD 101** converts USB-C signals to HDMI while providing up to 60 watts of power to the USB-C source device. It supports USB-C Alt Mode video resolutions up to 4K/60 for use by any AV device or system with an HDMI input. It provides an easy way to add a USB-C device to an existing AV system. The internal Extron Everlast™ power supply uses USB Power Delivery to provide power and charging capabilities to a source laptop. For convenient mounting, the unit can be located within furniture or under a table using the included ZipClip 200 mounting accessory. The compact one-quarter rack width metal enclosure can also mount in an equipment rack with an optional rack mounting shelf.

KEY FEATURES

- ▶ Connects USB-C® sources that support DisplayPort Alt Mode to AV systems with HDMI inputs
- ▶ Provides up to 60 watts of power to the USB-C source
- ▶ Supports computer and video resolutions up to 4K/60 @ 4:4:4
- ▶ HDCP 2.3 compliant
- ▶ Internal Extron Everlast™ power supply
- ▶ Patented ZipClip® 200 mounting kit included

APPLICATION DIAGRAM



SPECIFICATIONS

TRUE 4K SPECIFICATION

Max 4K Capabilities		
Resolution and Refresh Rate	Chroma Sampling	Max Bit Depth per Color
4096 x 2160 at 60 Hz 3840 x 2160 at 60 Hz 4096 x 2160 at 30 Hz 3840 x 2160 at 30 Hz	4:4:4	8 bit

Frame rate ¹	24, 25, 30, 50, or 60 fps
Chroma sampling ¹	4:4:4, 4:2:2, 4:2:0
Color bit depth ¹	8, 10, or 12 bits per color
Signal type	HDMI 2.0b, HDCP 2.3
Max. video data rate	18 Gbps (6.0 Gbps per color)
NOTE: ¹ Subject to the maximum data rate limit. Use our calculator at http://www.extron.com/8Kdata rate to determine video parameters supported by this data rate.	

VIDEO

Maximum data rate	18 Gbps (6 Gbps per color)
Maximum pixel clock	600 Mhz
Resolution range	Up to 4K (4096 x 2160) @60 Hz 4:4:4, UHD (3840 x 2160) @60 Hz 4:4:4
Standards	DVI 1.0, HDMI 2.0b, HDMI 1.4a, HDCP 2.3, HDCP 1.4

VIDEO INPUT

Number/signal type	1 DisplayPort (Alt Mode)
Connector	Female USB-C
Input cable length	Up to 12' (3.7 m)

VIDEO OUTPUT

Number/signal type	1 HDMI
Output power for active cables	1.1 W max. for the HDMI port
Output cable length	Up to 12' (3.7 m)

GENERAL

Power supply	Internal Input: 100-240 VAC, 50-60 Hz
Power output	5 VDC @ up to 3A, 9 VDC @ up to 3A, 15VDC @ up to 3A, or 20VDC @ up to 3A. 60 Total Watts
Temperature/humidity	Storage: -40 to +158 °F (-40 to +70 °C) / 10% to 90%, noncondensing Operating: +32 to +122 °F (0 to +50 °C) / 10% to 90%, noncondensing
Thermal dissipation	Device 30.7 BTU/Hr
Enclosure type	Metal
Enclosure dimensions	1.7" H x 4.3" W x 3.0" D (1U high, one quarter rack wide) (4.3cm H x 10.9cm W x 7.6cm D) (Excludes power cords)
Product weight	0.1 lbs (0.05 kg)
Regulatory compliance	CE, c-UL, UL, C-Tick, FCC Class A, ICES, VCCI, AS/NZS, RoHS, WEEE

NOTE: All nominal levels are at ±10%.

Model	Version Description	Part number
USB-C HD 101	USB-C to HDMI Interface	60-1883-01

For complete specifications, please go to www.extron.com
Specifications are subject to change without notice.

WORLDWIDE SALES OFFICES

Anaheim • Raleigh • Silicon Valley • Dallas • New York • Washington, DC • Toronto • Mexico City • Paris
London • Frankfurt • Madrid • Stockholm • Amersfoort • Moscow • Dubai • Johannesburg • Tel Aviv • Sydney
Melbourne • Bangalore • Mumbai • New Delhi • Singapore • Seoul • Shanghai • Beijing • Hong Kong • Tokyo

www.extron.com