

UCS 900 Series

FIBER OPTIC SUPERSPEED USB EXTENDERS



The **UCS 900 Series** are Fiber Optic SuperSpeed USB Extenders that extend USB data signals from peripheral devices to a host computer over fiber optic cable. They are compatible with USB 3.2 including previous standards, and support data rates up to 5 Gbps.

- ▶ Extends USB peripherals up to 492 feet (150 meters) over fiber optic cable
- ▶ Supports USB signals up to SuperSpeed USB 5 Gbps
- ▶ Transmitter can be powered by host device or included power supply
- ▶ Receiver features an integrated two-port device hub providing 5 Volts, 1.5 Amps at each port
- ▶ The UCS FTR 900 kit is an all-in-one kit that includes transmitter, receiver, 10 m (32.8') plenum-rated fiber optic cable, power supplies, and mounting brackets
- ▶ Patented ZipClip® mounting kits included for easy installation

Extron

DESCRIPTION

The **UCS 900 Series** are Fiber Optic SuperSpeed USB Extenders that extend USB data signals from peripheral devices to a host computer over fiber optic cable. They are compatible with USB 3.2 including previous standards, and support data rates up to 5 Gbps. The UCS FTR 900 Kit includes a transmitter, receiver, 10 meter (32.8 foot) plenum-rated multimode fiber optic cable, power supplies, and ZipClip® mounting brackets for easy, secure mounting of the transmitter and receiver in furniture, behind a display, or under a desk. The transmitter features a USB-C host connection and can be powered by the host computer. The receiver features a two-port USB hub for connecting remote peripherals. The UCS 900 Series easily extends USB cameras, conference systems, and peripherals such as mass storage devices, keyboards, and mice in pro AV environments.

Other supported USB peripherals include annotation devices, interactive displays, cameras, headsets, and speakers, along with other USB devices. The UCS 900 Series is ideal for a wide variety of environments requiring extension of USB 3.2 and earlier versions with data rates up to 5 Gbps, including huddle and presentation rooms, courtrooms, conference and meeting spaces, classrooms, and lecture halls.

KEY FEATURES

- ▶ **Extends USB peripherals up to 492 feet (150 meters) over fiber optic cable**
- ▶ **Supports USB signals up to SuperSpeed USB 5 Gbps** – Supports newer USB 3.2 speed devices such as USB cameras and other peripherals as well as older USB 2.0 and 1.1 devices.

KEY FEATURES (Cont.)

- ▶ **Transmitter can be powered by host device or included power supply** – Transmitter power supply not required for faster installation with fewer items to install.
- ▶ **Receiver features an integrated two-port device hub providing 5 Volts, 1.5 Amps at each port** – Enables simultaneous connection to multiple peripheral devices such as USB cameras, Extron Annotator, mass storage devices, keyboards, and mice.
- ▶ **10 meter (32.8 foot) plenum-rated fiber optic cable included with UCS FTR 900 kit** – Eliminates the need for onsite cable termination and reduces installation costs.
- ▶ **Patented ZipClip® mounting kits included for easy installation** – Enables quick and secure mounting to rack rails, tables, shelves, and lecterns.
- ▶ **Real-time status LED indicators for troubleshooting and monitoring** – Provides visual confirmation of port activity between an active host and each connected peripheral device.
- ▶ **1" (2.5 cm) high, eighth (Transmitter) and quarter (Receiver) rack width metal enclosures** – Compact, low profile enclosures allow discreet installation within furniture or behind a flat panel display.
- ▶ **External Extron Everlast™ power supplies included** – Provides worldwide power compatibility with high-demonstrated reliability and low power consumption.
- ▶ **Extron Everlast Power Supplies are covered by a 7-year parts and labor warranty**

UCS FTR 900 KIT - OVERVIEW

All-in-one Kit

Transmitter, receiver, fiber optic cable and mounting hardware included for a complete installation

Fiber Cable Included

10 m (32.8') plenum-rated fiber optic cable included to connect transmitter and receiver

Mounting Hardware Included

Patented ZipClip mounting kits included for easy installation



Host Powered

Or transmitter can be powered by included power supply

Compact Enclosures

Can be installed under tables or behind displays

USB-C Host Connection

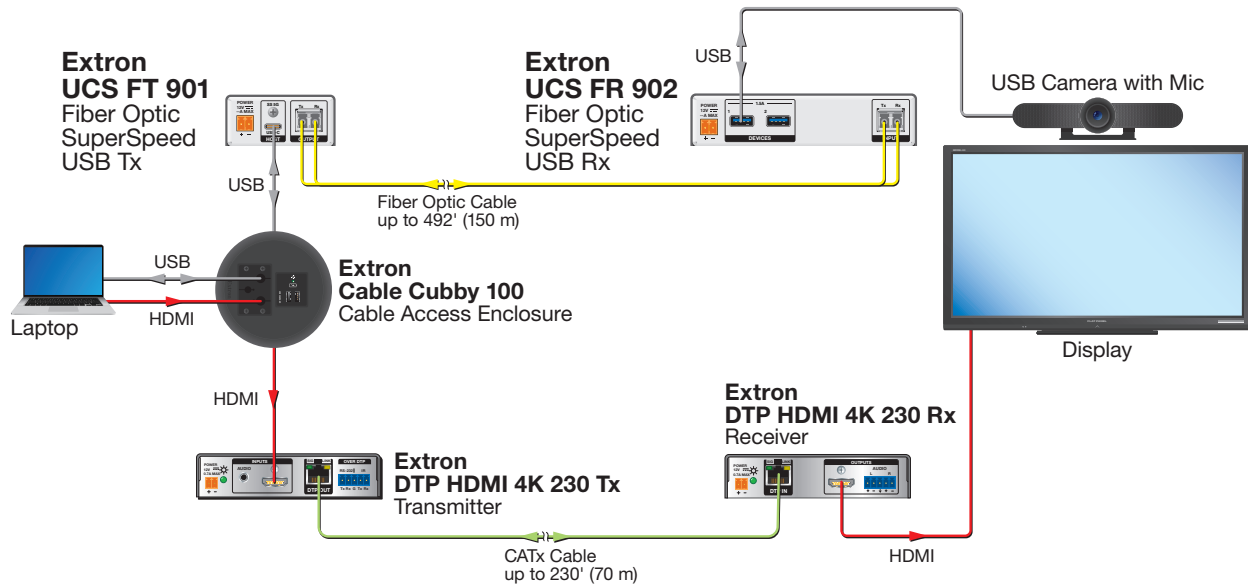
Enables easy SuperSpeed connection to host computer

No Configuration Required

Just connect and it is ready to use

APPLICATION DIAGRAM

For huddle rooms where a USB camera with microphone is used with a laptop running Zoom or Teams, the UCS FTR 900 kit provides an easy way to extend the USB devices at the display to the laptop connected to the furniture mounted Cable Cubby enclosure. Separate Extron HDMI extenders are used to send the HDMI video output from the laptop to the display.



OPTIONAL FIBER CABLE LENGTHS

While the UCS FTR 900 kit includes a 10 meter (32.8 foot) cable, larger spaces may require longer fiber cables between the UCS 900 transmitter and receiver. Extron provides a full range of optional plenum-rated fiber cables.

2LC OM4 MM P

LC to LC Laser-Optimized Multimode Fiber Optic Cable Assemblies - Plenum

Unique Features

- Laser-optimized OM4 Multimode fiber
- Bend-insensitive
- OFNP plenum-rated jacket
- Durable duplex zip-cord cable construction
- Terminated with industry-standard LC connectors

Model	Version Description	Part Number
2LC OM4 MM P/15	15m (49.2')	26-671-15
2LC OM4 MM P/20	20m (65.6')	26-671-20
2LC OM4 MM P/30	30m (98.4')	26-671-30
2LC OM4 MM P/40	40m (131')	26-671-40
2LC OM4 MM P/50	50m (164')	26-671-50
2LC OM4 MM P/60	60m (197')	26-671-60

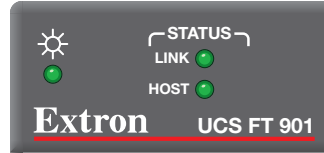


SPECIFICATIONS

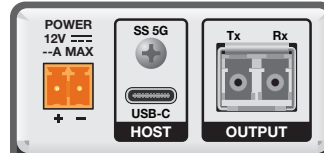
USB HOST PORT - TX UNIT		
Number/signal type	1 USB	
USB host support	xHCI (Transmitter must be connected to a USB 3.2, 3.1, or 3.0 Host PC port)	
Maximum built-in USB hubs	0	
Minimum built-in USB hubs	0	
USB DEVICE PORTS - RX UNIT		
Number/signal type	(1) 2-port USB	
USB receiver support	USB 1.x low speed (1.5 Mbps), full speed (12 Mbps), USB 2.0 high speed (480 Mbps), USB 3.2/3.1/3.0 SuperSpeed (5 Gbps)	
Maximum built-in USB hubs	1	
Minimum built-in USB hubs	1	
Available USB power	1.5 A per USB port	
NOTE:	This product supports the four types of data transfer defined by USB: bulk, control, interrupt, and isochronous transfers.	
INTERCONNECTION BETWEEN TRANSMITTER AND RECEIVER		
Connectors	2 LC	
Nominal peak wavelength	850 nm for multimode	
Optical loss budget	Multimode	
	7 dB, maximum	
Signal transmission distance	up to 150 m (493 feet) with 50 µm OM3/OM4, 4700 MHz bandwidth, laser-optimized multimode (MM) cables	
GENERAL		
Power supply	External	
NOTE:	Transmitter can be powered by an included External power supply or the Host PC.	
Cooling	Convection, no vents	
Thermal dissipation		
Transmitter		
Device and power supply	Multimode: 4.64 BTU/hr	
Receiver		
Device and power supply	Multimode: 19.95 BTU/hr	
Mounting		
Rack mount	Yes, with optional rack shelf or rack mounting brackets	
Furniture or wall mount	Yes, with included ZipClip kits	
Transmitter	1.0" H x 2.2" W x 3.0" D 2.5 cm H x 5.6 cm W x 7.6 cm D (depth excludes connectors)	
Receiver	1.0" H x 4.3" W x 3.0" D (one quarter rack wide) 2.5 cm H x 10.9 cm W x 7.6 cm D (depth excludes connectors)	
Receiver	1 lb (0.5 kg)	
Regulatory compliance	CE, c-UL, KCC, UL, C-tick, FCC Class A, ICES, VCCI Class A, Complies with the appropriate requirements of RoHS, WEEE	
Product warranty	3 years parts and labor	
Everlast power supply warranty	7 years parts and labor	
NOTE:	All nominal levels are at ±10%.	
Model	Version Description	Part number
UCS FTR 900 Kit	SuperSpeed USB Extender Kit	42-298-01
USBC/6	USB-C, 6' (1.8 m)	26-715-06
USBC-A/6	USB-C to USB-A, 6' (1.8 m)	26-723-06

For complete specifications, please go to www.extron.com
Specifications are subject to change without notice.

PANEL DRAWINGS



UCS FT 901 - Front



UCS FT 901 - Back



UCS FR 902 - Front



UCS FR 902 - Back

WORLDWIDE SALES OFFICES

Anaheim • Raleigh • Silicon Valley • Dallas • New York • Washington, DC • Toronto • Mexico City
Paris • London • Frankfurt • Stockholm • Amersfoort • Moscow • Dubai • Tel Aviv • Sydney • Melbourne
Bangalore • Mumbai • New Delhi • Singapore • Seoul • Shanghai • Beijing • Hong Kong • Tokyo

www.extron.com