

# TLP Pro 1220TG

## 12" TABLETOP TOUCHLINK PRO TOUCHPANEL



The Extron TLP Pro 1220TG is a 12" tabletop touchpanel with a capacitive, edge-to-edge glass touchscreen. As with all TouchLink® Pro models, this customizable touchpanel features faster processing and more memory. The TLP Pro 1220TG has video preview inputs that support high resolution HDCP-compliant video from HDMI sources and Extron XTP devices. The touchpanel conveniently receives power and communications over a single Ethernet cable. The TLP Pro 1220TG is ideal for control applications requiring a fully-customizable tabletop touchpanel with a large control surface and multi-source video preview.

- ▶ 12" edge-to-edge glass, capacitive touchscreen with 1280x800 resolution and 16 million colors
- ▶ Faster processing and more memory
- ▶ Compatible with all IP Link® Pro control processors
- ▶ High resolution video preview with HDMI and XTP inputs
- ▶ Touchpanel receives power and control over a single Ethernet cable, eliminating the need for a local power supply
- ▶ Built-in speakers provide stereo audio
- ▶ Light sensor adjusts screen brightness as the ambient room lighting changes
- ▶ Sits on a tabletop or installs on a VESA mount
- ▶ Weighted base allows up to 40° of tilt
- ▶ System connection status indicator provides visual feedback if the touchpanel is not communicating with a control processor
- ▶ Supports TouchLink for iPad and TouchLink for Web



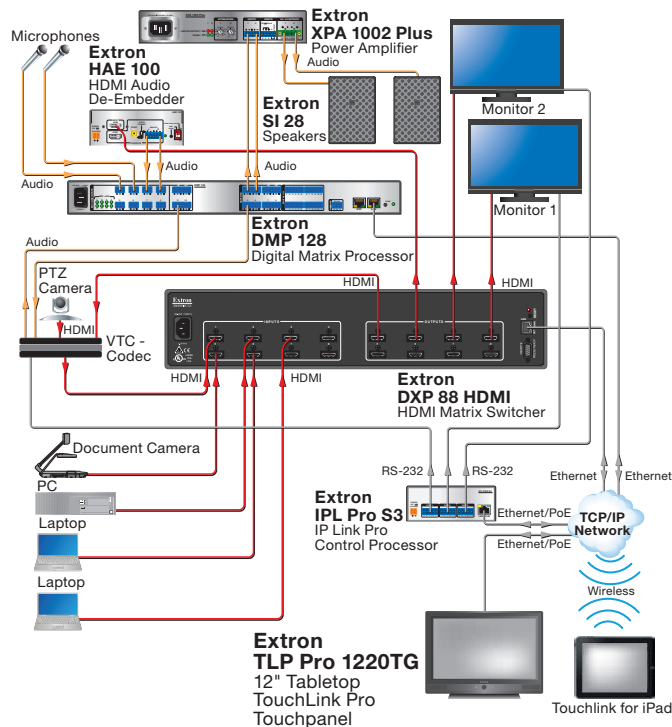
## DESCRIPTION

The Extron **TLP Pro 1220TG** is a 12" tabletop touchpanel with a vibrant, 1280x800 capacitive touchscreen. Capacitive technology provides a brighter, more responsive touchscreen with a greater vertical viewing angle. Dual video preview inputs support high resolution video from HDMI sources and Extron XTP devices.

The TLP Pro 1220TG works in conjunction with any Extron IP Link® Pro control processor and is designed for use in AV system applications that require complete, interactive control of conferencing systems, displays, switchers and source devices. TouchLink Pro touchpanels operate using standard network infrastructure and are easy to install with reliable and cost effective Ethernet cable.

All TouchLink Pro touchpanels are customized using Extron GUI Designer software. This powerful user interface design software offers ready-to-use resource kits to help design a wide variety of interfaces for rooms and presentation environments.

## APPLICATION DIAGRAM



## SPECIFICATIONS

DISPLAY		
Screen type	Active matrix TFT color display	
Size	12.1" (30.7 cm), measured diagonally	
Resolution	1280x800	
Aspect ratio	Widescreen	
Color depth	16 million colors	
Contrast	1000:1	
MEMORY		
SDRAM	512 MB	
Flash	512 MB	
XTP – INTERCONNECTION BETWEEN TRANSMITTER AND RECEIVER		
Signal transmission distance	330' (100m) using CAT 5e/6/7 UTP or STP cable (24 AWG or better)	
VIDEO INPUT		
Resolution range	Up to 1920x1200*, 2K, or 1080p (HDTV) * reduced blanking	
Number/signal type	1 HDMI (HDCP compliant) 1 XTP	
Standards	DVI 1.0, HDMI, HDCP	
CONTROL – ETHERNET INTERFACE		
Ethernet data rate	100Base-T, half/full duplex with autodetect	
Protocols	DHCP, DNS, HTTP, HTTPS, ICMP, SFTP, SSH, TCP/IP, UDP/IP	
CONTROL – USB		
Number/signal type	2 high-speed USB 2.0 devices	
USB standards	USB 2.0, USB 1.1, USB 1.0 compatible	
AUDIO OUTPUT – SPEAKER		
Speaker output	2 speakers (stereo), 86 dB SPL, 0.1 watt, 0.1 m, half space	
AUDIO OUTPUT – LINE LEVEL		
Number/signal type	1 stereo, unbalanced	
Connectors	1 female 3.5 mm stereo mini jack; tip (L), ring (R), sleeve (GND)	
GENERAL		
Power supply	External Input: 100-240 VAC, 50-60 Hz Output (power injector): 56 VDC, 0.8 A, 45 watts	
Power input requirements	12 VDC or power injector	
Regulatory compliance	Safety: CE, c-UL, UL EMI/EMC: CE, C-tick, FCC Class A, ICES, VCCI Environmental: Complies with the appropriate requirements of RoHS and WEEE.	
Warranty	3 years parts and labor; touchpanel display and overlay components are covered for 1 year	
Model	Version Description	Part number
TLP Pro 1220TG	Black w/PoE Inj - Tabletop & VESA	60-1341-02

For complete specifications, please go to [www.extron.com](http://www.extron.com)  
Specifications are subject to change without notice.

### Worldwide Sales Offices

Anaheim • Raleigh • Silicon Valley • Dallas • New York • Washington, DC • Toronto • Mexico City • Paris • London • Frankfurt  
Amersfoort • Moscow • Dubai • Johannesburg • New Delhi • Bangalore • Singapore • Seoul • Shanghai • Beijing • Tokyo

#### UNITED STATES

+800.633.9876  
Inside USA/Canada  
+1.714.491.1500

#### EUROPE

+800.3987.6673  
Inside Europe  
+31.33.453.4040

#### ASIA

+800.7339.8766  
Inside Asia  
+65.6383.4400

#### MIDDLE EAST

+971.4.299.1800