

Retractor Series/2

CABLE RETRACTION SYSTEM
WITH SPEED CONTROL FOR
CABLE CUBBY ENCLOSURES

- ▶ Convenient, easy to install cable retraction system for AVEdge™ 100 edge mount enclosures, Cable Cubby® cable access enclosures, and TMK 120 R table mount kits
- ▶ Cables extend up to five feet (152 cm)
- ▶ Holds cable securely in place at a user-defined length
- ▶ Simple push-button release retracts cable into Cable Cubby enclosure after use
- ▶ Precise variable-speed cable retraction control provides more than 50 steps of adjustment between 1.5 and 4.0 seconds
- ▶ Engineered for long life and reliability, and tested to exceed 7,500 cable extension and retraction cycles
- ▶ Available in a variety of commonly used AV and data connectors, including HDMI, Mini DisplayPort, DisplayPort, VGA, PC Audio, Network, and USB



The Extron Retractor Series/2 is a patented cable retraction and management system for AV applications. Retractor Series/2 modules feature variable-speed cable retraction control and are available in versions to support popular AV and data signal types.



Extron Electronics
INTERFACING, SWITCHING AND CONTROL

DESCRIPTION

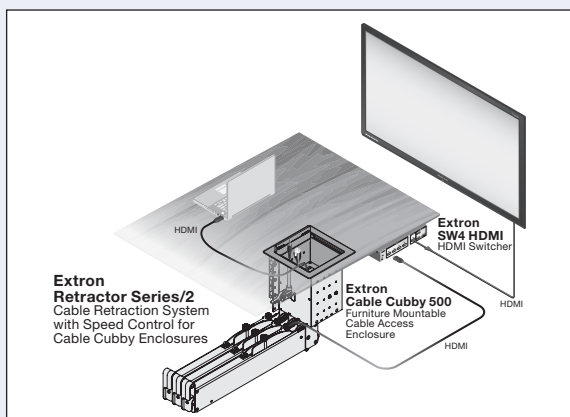
Extron **Retractor Series/2** is a patented, variable-speed cable retraction and management system designed to work with **AVEdge™ 100**, and **Cable Cubby® Series/2** cable access enclosures as well as the **TMK 120 R** Table Mount Kit. **Retractor Series/2** modules support most AV and data signal types, including HDMI, DisplayPort, VGA, Network, PC Audio, and USB. **Retractor DC** extends DC power to laptops, and is compatible with many Dell, HP, Compaq, and Lenovo PCs. Cables extend up to three feet (90 cm) and are held securely in place at the desired length. The cables retract at the press of a button, with integrator-adjustable retraction speed control for smooth operation in both horizontal and vertical mounting orientations. Extron **Retractor Series/2 XL** is also available for applications where cable extension of five feet (152 cm) is appropriate.

Retractor Series/2 modules are engineered for long life and reliability in schools, libraries, conference rooms, and other high-utilization environments. The modules and cables are tested to exceed 7,500 extension and retraction cycles. A pre-loaded, continuous cable for a single signal type ensures consistent, reliable performance regardless of cable extension length. Cables retract at the press of a button, with integrator-adjustable retraction speed control for smooth operation in both horizontal and vertical mounting orientations. A four to six foot (1.2 to 1.8 meter) pigtail on the system end of the Retractor cable facilitates connection to under-table electronics or floor boxes.

Cable Cubby enclosures support from three to eight Retractor modules, depending on the size of the enclosure. The modules can be mounted vertically for ease of installation next to a table leg or desktop support. For under-table mounting applications, the **TMK 120 R** supports up to two Retractors.

IN-TABLE APPLICATIONS

Extron **Cable Cubby Series/2** enclosures provide an elegant, sophisticated solution for the integration of AV connectivity, AC power, and control into almost any furniture style, from simple portable lecterns and desks, to custom conference room and board room tables. Cable Cubby Series/2 enclosures are available in a variety of sizes to support up to eight Retractors.



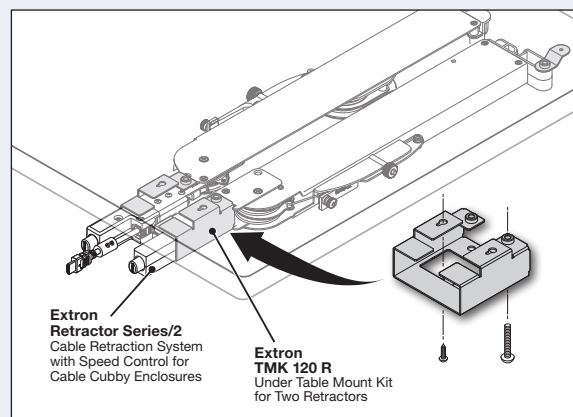
The **TMK 120 R** positions the Retractors close against the surface, providing maximum leg room below the installed modules and minimizing the potential for clothing snags.

COMMON FEATURES

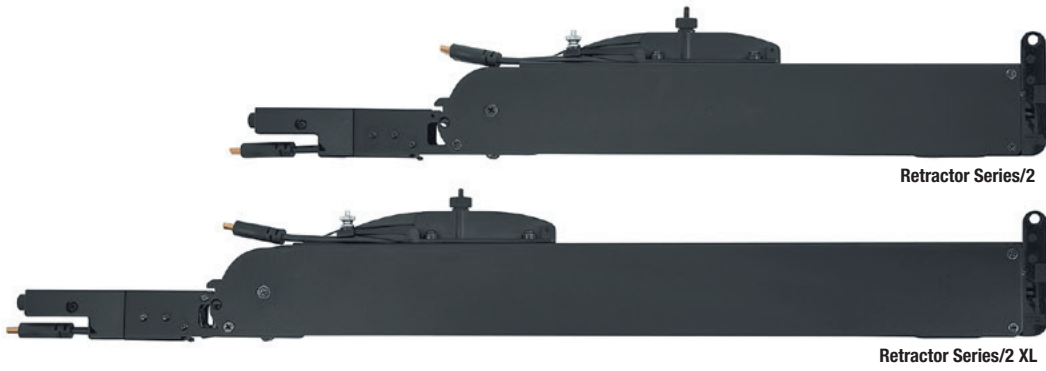
- ▶ **Convenient, easy to install cable retraction system for AVEdge 100 edge mount enclosures, Cable Cubby cable access enclosures, and TMK 120 R Table Mount Kits**
- ▶ **Cables extend up to five feet (152 cm)** – Also provides a pigtail for connecting to other AV products located beneath the mounting surface.
- ▶ **Holds cable securely in place at a user-defined length**
- ▶ **Simple push-button release retracts cable into Cable Cubby enclosure after use**
- ▶ **Precise variable-speed cable retraction control provides more than 50 steps of adjustment between 1.5 and 4.0 seconds**
- ▶ **Engineered for long life and reliability, and tested to exceed 7,500 cable extension and retraction cycles**
- ▶ **Flexible installation options** – Retractor can be installed under a table or other work surface in either a vertical or horizontal position.
- ▶ **Available in a variety of commonly used AV and data connectors, including HDMI, Mini DisplayPort, DisplayPort, VGA, PC Audio, Network, and USB**

TABLE EDGE APPLICATIONS

The Extron **TMK 100** Series is an alternative under-table mounting solution that positions Retractors and other AV connectivity at the table's edge. The **TMK 120 R** supports up to two Retractor modules, positioning them close against the underside of the table for maximum leg room. The Extron **AVEdge 100** is a cable access enclosure designed to mount onto the edge of a tabletop surface in semi-permanent installations where cutting the surface is not desirable. It supports up to three retractor modules.



RETRACTOR SERIES/2



RETRACTOR SERIES/2

UNIQUE FEATURES

- ▶ Cables extend up to three feet (90 cm)
- ▶ Provides 6 foot (1.8 m) pigtail for connecting to other AV products

Model	Version Description	Part number
Retractor Series/2 VGA	VGA; 3 feet (90 cm)	70-1065-01
Retractor Series/2 PC Audio	3.5 mm Stereo Audio; 3 feet (90 cm)	70-1065-02
Retractor Series/2 Network	Network CAT6e; 3 feet (90 cm)	70-1065-03
Retractor Series/2 HDMI	HDMI; 3 feet (90 cm)	70-1065-04
Retractor Series/2 USB	USB A to USB A; 3 feet (90 cm)	70-1065-05
Retractor Series/2 Mini DisplayPort-DisplayPort	Mini DP to DP; 3 feet (90cm)	70-1065-18
Retractor Series/2 DisplayPort	DisplayPort; 3 feet (90 cm)	70-1065-07
Retractor Series/2 DC	DC Power Extension: Dell, HP, other PCs; 3 ft/90cm	70-1065-10
Retractor Series/2 Lenovo DC	Lenovo DC Power Extension; 3 feet (90 cm)	70-1065-09
Retractor Series/2 VGA-A	VGA and 3.5 mm Stereo; 3 feet (90 cm)	70-1065-11

RETRACTOR SERIES/2 XL

UNIQUE FEATURES

- ▶ Cables extend up to five feet (152 cm)
- ▶ Provides 4 foot (1.2 m) pigtail for connecting to other AV products

Model	Version Description	Part number
Retractor Series/2 XL VGA	VGA; 5 feet (152 cm)	70-1066-01
Retractor Series/2 XL PC Audio	3.5 mm Stereo Audio; 5 feet (152 cm)	70-1066-02
Retractor Series/2 XL Network	Network CAT6e; 5 feet (152 cm)	70-1066-03
Retractor Series/2 XL HDMI	HDMI; 5 feet (152 cm)	70-1066-04
Retractor Series/2 XL USB	USB A to USB A; 5 feet (152 cm)	70-1066-05
Retractor Series/2 XL Mini DisplayPort-DisplayPort	Mini DP to DP; 5 feet (152 cm)	70-1066-18
Retractor Series/2 XL DisplayPort	DisplayPort; 5 feet (152 cm)	70-1066-07
Retractor Series/2 XL DC	DC Power Extension: Dell, HP, other PCs; 5ft/152cm	70-1066-10
Retractor Series/2 XL Lenovo DC	Lenovo DC Power Extension; 5 feet (152 cm)	70-1066-09
Retractor Series/2 XL VGA-A	VGA and 3.5 mm Stereo; 5 feet (152 cm)	70-1066-11

AVAILABLE RETRACTOR SIGNAL TYPES



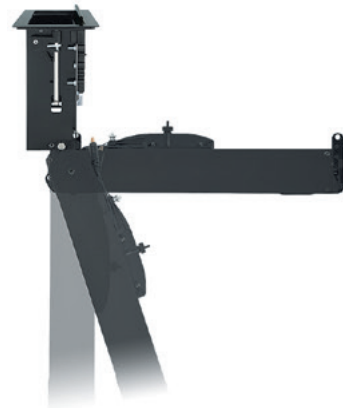
Integrator-Adjustable Speed Control

Retractor Series/2 modules feature a precise, variable-speed cable retraction control that provides more than 50 steps of adjustment between 1.5 and 4.0 seconds. The cable extension and retraction mechanisms are separate, eliminating unnecessary strain on the cable for reliability and long life.



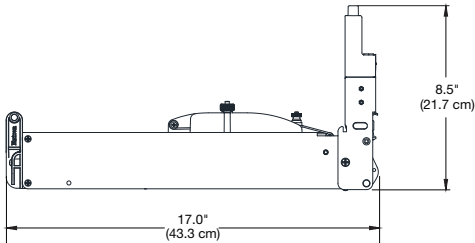
Flexible Mounting Options

When used with a Cable Cubby® enclosure, Retractor Series/2 modules can be installed vertically or horizontally, or at an angle of 30 degrees off-vertical, to fit a wide range of applications and furniture types.



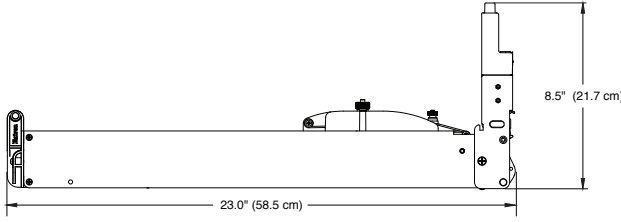
SPECIFICATIONS

RETRACTOR SERIES/2GENERAL	
Mounting	Mountable into Extron Cable Cubby, TLP Cable Cubby TouchLink® and AVEdge 100 enclosures, and the TMK 120 R Table Mount Kit (all sold separately)
NOTE:	An optional bracket is required for horizontal mounting. For Cable Cubby 202 installation, an additional bracket is required.
Enclosure type	Metal and plastic
Enclosure dimensions	4.3" D x 1.2" W x 22.7" H (10.9 cm D x 3.0 cm W x 57.7 cm H) See the following diagrams for additional dimensions.
Life expectancy	Tested to exceed 7500 cycles
Warranty	3 years parts and labor including preinstalled cable assembly



For complete specifications, please go to www.extron.com
Specifications are subject to change without notice.

GENERAL	
Mounting	Mountable into Extron Cable Cubby, TLP Cable Cubby TouchLink® and AVEdge 100 enclosures, and the TMK 120 R Table Mount Kit (all sold separately)
NOTE:	An optional bracket is required for horizontal mounting. For Cable Cubby 202 installation, an additional bracket is required.
Enclosure type	Metal and plastic
Enclosure dimensions	4.3" D x 1.2" W x 28.7" H (10.9 cm D x 3.0 cm W x 72.9 cm H) See the following diagrams for additional dimensions.
Life expectancy	Tested to exceed 7500 cycles
Warranty	3 years parts and labor including preinstalled cable assembly



For complete specifications, please go to www.extron.com
Specifications are subject to change without notice.

PART NUMBER	MODEL	DESCRIPTION
ACCESSORIES		
70-678-00	Retractor Horizontal Mounting Bracket Kit	For Horizontal Mounting Applications
70-1065-35	Retractor Filler Module	With Blank & Cable Pass-through Plates
70-1043-02	Cable Cubby 202 Retractor Bracket	Holds Three Retractor Modules
UNDER TABLE MOUNT KIT		
70-1128-02	AVEdge 100	Black - AC Module Not Included
70-1031-05	TMK 120 R	Black - Mounts up to 2 Retractors
CABLE CUBBY SERIES/2 ENCLOSURES		
60-1399-02	Cable Cubby 202 US	One US AC
60-1400-02	Cable Cubby 202 EU	One EU AC
60-1425-02	Cable Cubby 202 UK	One UK AC
60-1401-02	Cable Cubby 202 FR	One France AC
60-1402-02	Cable Cubby 202 AUS	One Australia AC
60-1403-02	Cable Cubby 202 MULTI	One Multi-Region AC
60-1404-02	Cable Cubby 500	Black - with US AC Power Module
70-1045-02	Cable Cubby 500	Black - AC Module Not Included
70-1045-08	Cable Cubby 500	Brushed Aluminum - AC Module Not Included
70-1125-02	Cable Cubby 500 CCB	Black - with 3 Buttons - AC Module Not Included
60-1405-02	Cable Cubby 700	Black - with US AC Power Module
70-1046-02	Cable Cubby 700	Black - AC Module Not Included
70-1046-08	Cable Cubby 700	Brushed Aluminum - AC Module Not Included
60-1397-02	Cable Cubby 1200	Black - with US AC Power Module
70-1037-02	Cable Cubby 1200	Black - AC Module Not Included
70-1037-08	Cable Cubby 1200	Brushed Aluminum - AC Module Not Included
60-1398-02	Cable Cubby 1400	Black - with US AC Power Modules
70-1038-02	Cable Cubby 1400	Black - AC Module Not Included
70-1038-08	Cable Cubby 1400	Brushed Aluminum - AC Module Not Included

WORLDWIDE SALES OFFICES

Anaheim • Raleigh • Silicon Valley • Dallas • New York • Washington, DC • Toronto • Mexico City • Paris • London • Frankfurt
Madrid • Stockholm • Amersfoort • Moscow • Dubai • Johannesburg • Tel Aviv • Sydney • Melbourne
New Delhi • Bangalore • Singapore • Seoul • Shanghai • Beijing • Hong Kong • Tokyo

www.extron.com