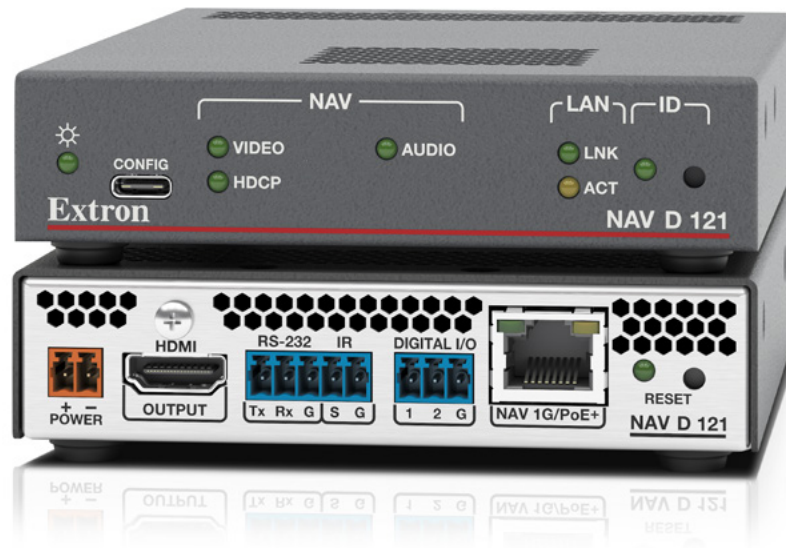


NAV D 121

1G PRO AV OVER IP COMPACT DECODER WITH HDMI



The **NAV D 121** is a powerful, compact decoder designed for Pro AV over IP applications. It delivers visually lossless 4K/60 video with 4:4:4 chroma sampling over isolated or converged enterprise IP networks. The NAV D 121 can be powered with PoE+ and mounted discretely behind a display or near a projector and offers RS-232, Digital I/O, and IR control ports.

- ▶ Compact and economical decoder
- ▶ PURE3® codec delivers improved network resiliency
- ▶ Intelligent Selective Streaming significantly reduces the bandwidth required
- ▶ HDMI output up to 4K/60 @ 4:4:4 with HDCP 2.3
- ▶ Requires less power than other decoders
- ▶ Configurable Power Priority

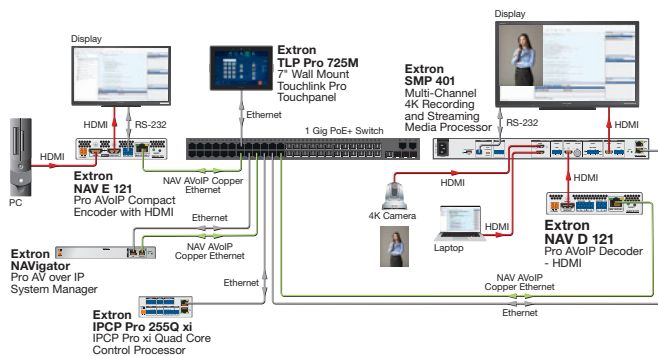
DESCRIPTION

The **NAV D 121** is a compact Pro AV over IP decoder that receives real-time, high quality video and audio signals over 1 Gbps IP networks at low bitrates. Utilizing Extron's patented PURE3® codec, it delivers groundbreaking performance with visually lossless video at resolutions up to 4K/60 with 4:4:4 chroma sampling and ultra-low latency. The NAV D 121 is fully compatible with NAV® 1 and 10 Gbps endpoints, increasing flexibility and scalability for large deployments. Purpose-built to support demanding professional AV applications, the highly scalable and powerful NAV Series enables secure deployment of AV signals to thousands of endpoints.

KEY FEATURES

- ▶ Compact and economical decoder receives visually lossless 4K/60 4:4:4 video, audio, and control over 1 Gbps IP networks.
- ▶ PURE3® codec delivers improved network resiliency tolerating the bursty network traffic found on converged networks. It is the **ONLY** codec designed for the Pro AV industry that delivers robust, pristine video on converged or isolated networks.
- ▶ PURE3 Intelligent Selective Streaming is an exclusive Extron technology that leverages periods of low motion video content to achieve extremely low bitrates while maintaining lossless video performance. ISS significantly reduces the bandwidth required.
- ▶ HDMI 2.0 output specification features include data rates up to 18 Gbps, video resolutions up to 4K/60 with 4:4:4 chroma sampling, deep color up to 10 bit, and two-channel LPCM audio.
- ▶ Configurable Power Priority selects PoE or line power priority for power management and redundancy.

APPLICATION DIAGRAM



SPECIFICATIONS

TRUE 4K SPECIFICATION

Max 4K Capabilities		
Resolution and Refresh Rate	Chroma Sampling	Max Bit Depth per Color
4096 x 2160 at 60 Hz 3840 x 2160 at 60 Hz 4096 x 2160 at 30 Hz 3840 x 2160 at 30 Hz	4:4:4	8 bit
4096 x 2160 at 60 Hz 3840 x 2160 at 60 Hz	4:2:0	12 bit

Frame rate ²	24, 25, 30, 50, or 60 fps
Chroma sampling ²	4:4:4, 4:2:2, or 4:2:0
Color bit depth ²	8 or 10 bits per color
Signal Type	DVI v 1.0, HDMI v1.4 and v2.0, HDCP v1.4 and v2.3
Max. video data rate	18 Gbps (6 Gbps per color)
NOTE: ² Subject to the maximum data rate limit. Use our calculator at www.extron.com/8KdataRate to determine video parameters supported by this data rate.	

VIDEO INPUT STREAM

Number/signal type	1 PURE3® digital video over IP
--------------------	--------------------------------

VIDEO PROCESSING

Latency	<1 frame (encode/decode)
---------	--------------------------

VIDEO OUTPUT

Number/signal type	1 digital HDMI video
Resolution range	Up to 4K (4096x2160 at 60 Hz) and UHD (3840x2160 at 60 Hz)
Standards	DVI v1.0, HDMI v1.4 and v2.0, HDCP v1.4/v2.3

AUDIO OUTPUT

Number/signal type	1 digital stereo, de-embedded from HDMI
Supported formats	LPCM (2 channel)

NETWORK INTERCONNECTION (NAV)

Ethernet standards	1GbE (802.3ab), 10/100/1000 Base-T, half/full duplex with autodetect.
Protocols	Streaming: SRTP (AES-128) on video and audio Transport: Multicast UDP All supported: DHCP, HTTPS, IGMPv2/v3, IPv4, IPv6, PTPv2, QoS, SSH, TCP, UDP

GENERAL

Power consumption	
Device	13.3 watts
PoE	Complies with IEEE 802.3at type 2 (PoE+), class 4
Enclosure	
	1.00" H x 4.3" W x 6.00" D (quarter rack wide) (25 mm H x 109 mm W x 152 mm D) (depth excludes connectors)
Product warranty	
	3 years parts and labor

Model	Version Description	Part number
NAV D 121	1G Pro AV over IP Compact Decoder - HDMI	60-2040-03

For complete specifications, please go to www.extron.com
Specifications are subject to change without notice.

Extron

www.extron.com | Follow us on:  